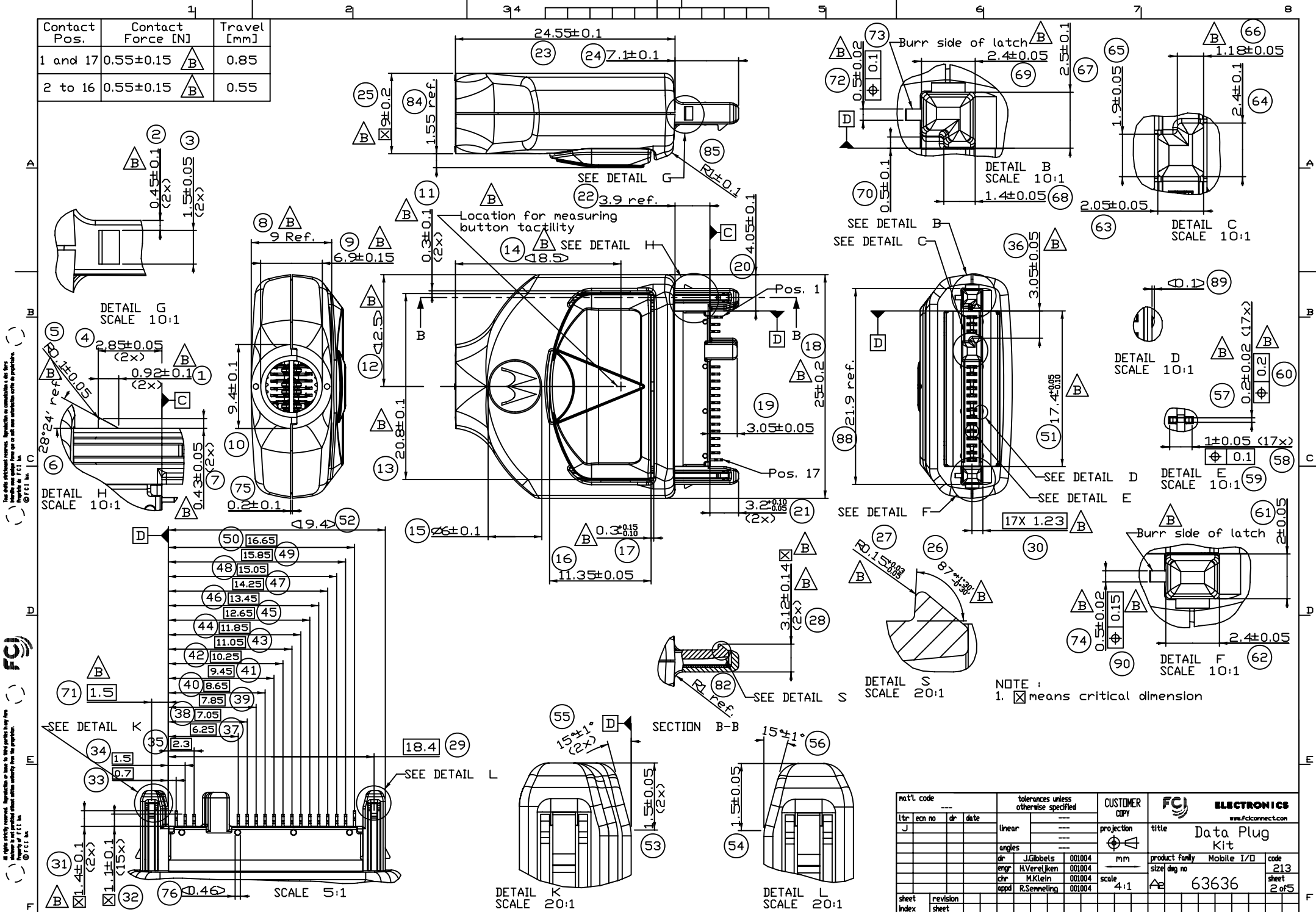




Contact Pos.	Contact Force [N]	Travel [mm]
1 and 17	0.55±0.15	0.85
2 to 16	0.55±0.15	0.55



All rights reserved. Reproduction or use in any form without the prior written permission of FCI is prohibited. © FCI Inc.

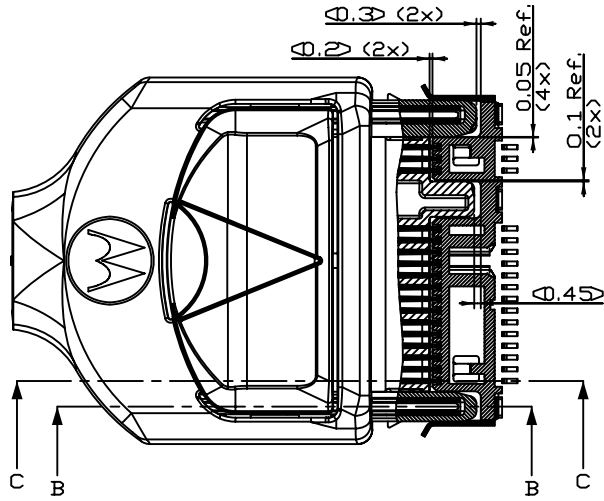


All rights reserved. Reproduction or use in any form without the prior written permission of FCI is prohibited. © FCI Inc.

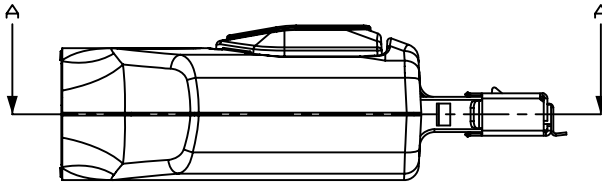
NOTE :  
1. ☒ means critical dimension

part code		tolerances unless otherwise specified		CUSTOMER COPY		FCI ELECTRONICS	
l	tr	ec	no	dr	date	linear	projection
						mm	title
						scale	Data Plug Kit
						4:1	product family
							Mobile I/O
							code
							213
							sheet
							2 of 5
sheet index	revision						

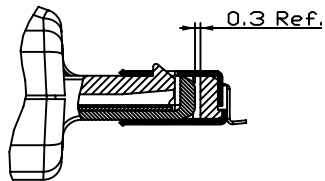
PLUG MATED WITH RECEPTACLE



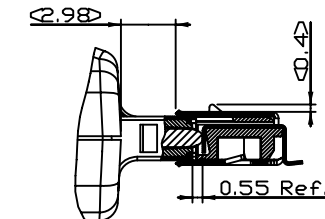
SECTION A-A



SECTION C-C



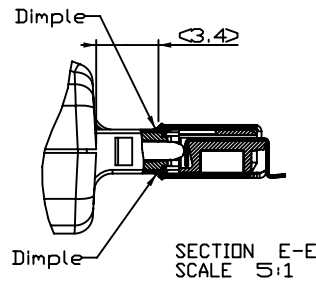
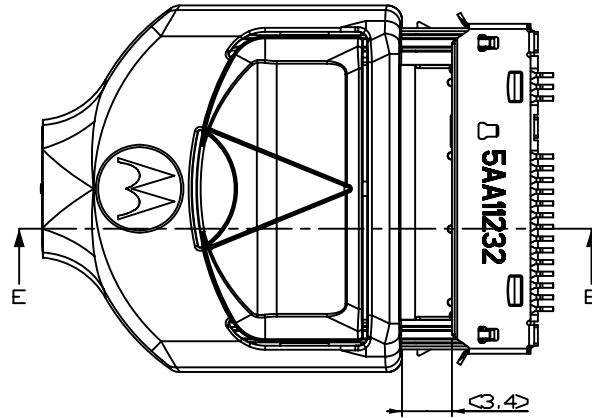
SECTION B-B  
SCALE 5:1



SECTION C-C  
SCALE 5:1

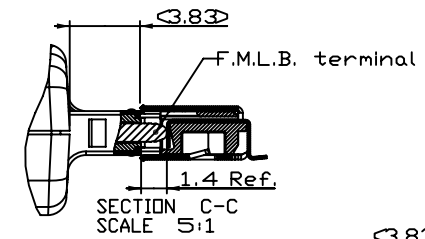
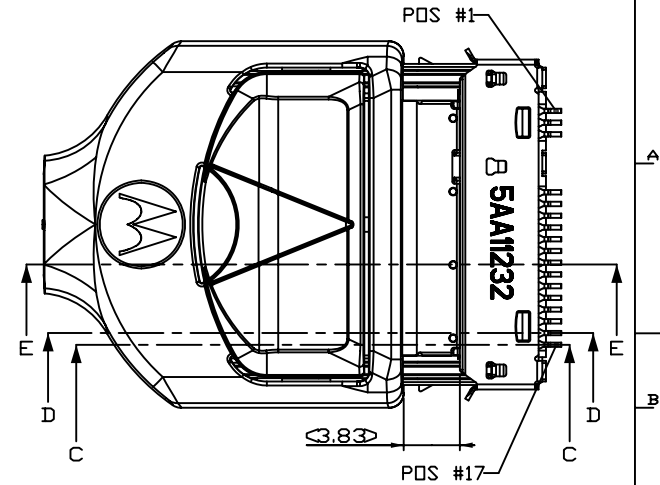
SECTION C-C  
SCALE 5:1

DIMPLE MAKES CONTACT WITH METAL SHIELD

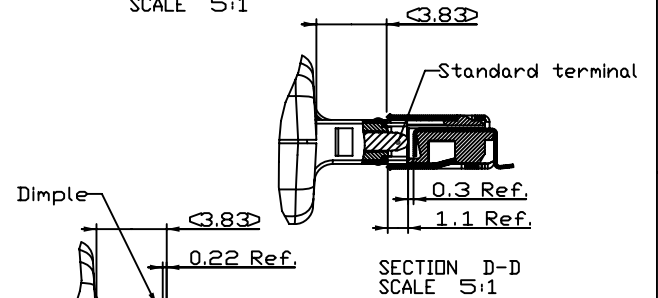


SECTION E-E  
SCALE 5:1

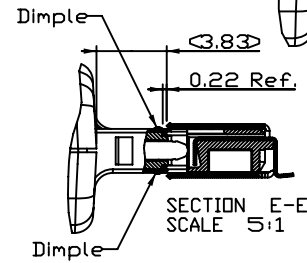
PINS 1 AND 17 MATE FIRST



SECTION C-C  
SCALE 5:1

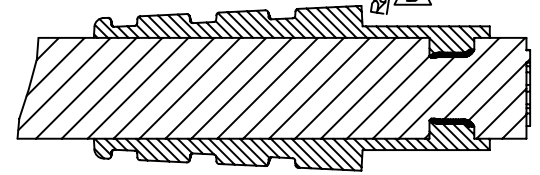
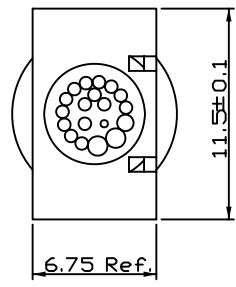
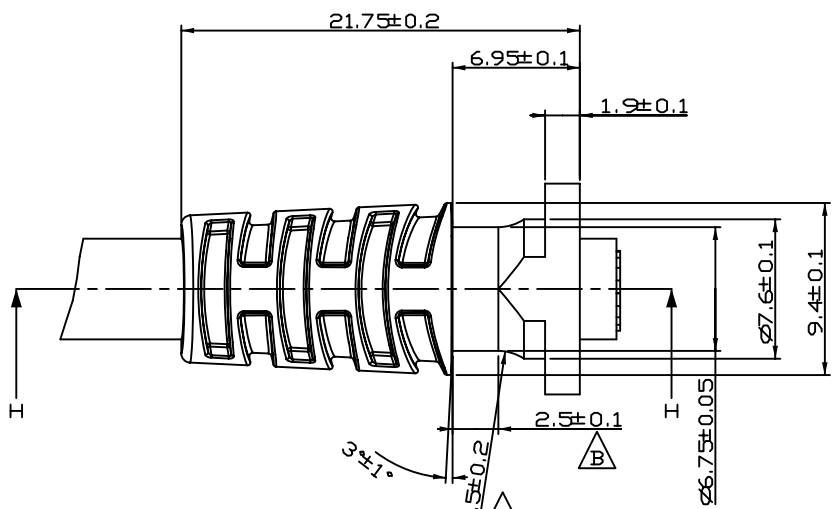


SECTION D-D  
SCALE 5:1

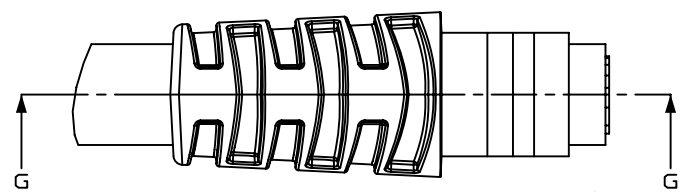


SECTION E-E  
SCALE 5:1

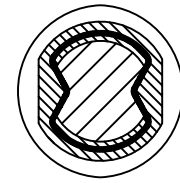
matl. code		tolerances unless otherwise specified		CUSTOMER COPY	FCJ ELECTRONICS www.fcjconnect.com	
ltr	ecn no	dr	date	linear	projection	title
J				mm	1st angle	Data Plug
				angles		Plug mated with receptacle
		dr	J.Gilbels	001004	mm	product family
		engr	H.Verelijken	001004	scale	Mobile I/O
		chr	M.Klein	001004	4:1	code
		appd	R.Semmeling	001004		213
sheet	revision					size
index	sheet					63636
						sheet
						3 of 5



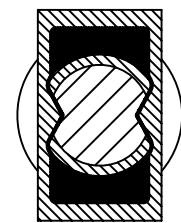
SECTION H-H



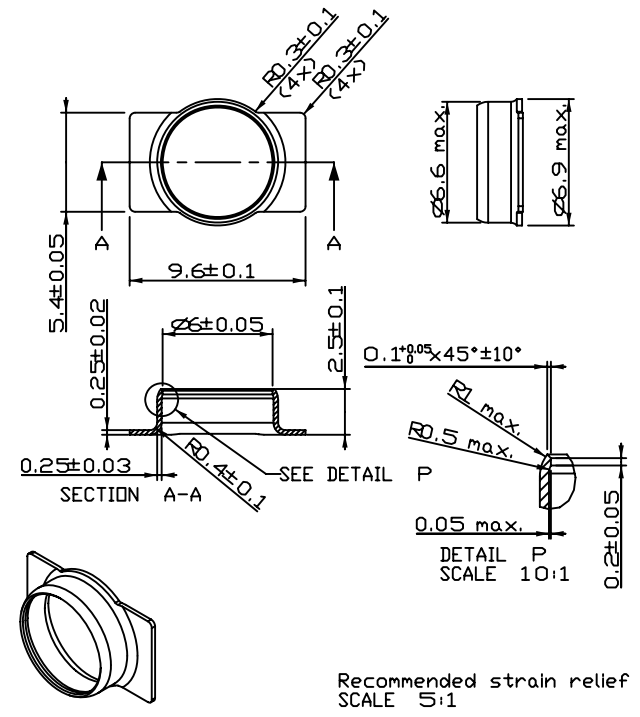
SECTION G-G



SECTION J-J



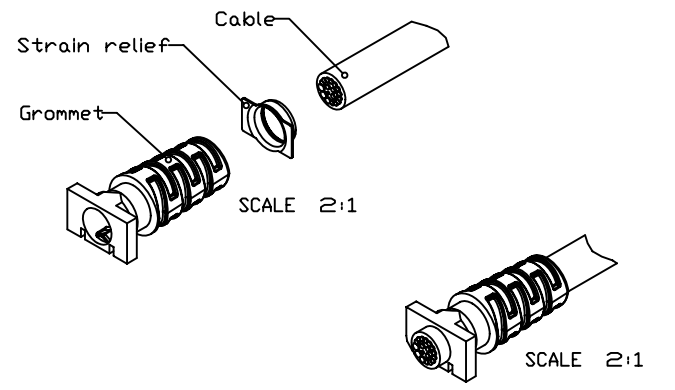
SECTION K-K



SECTION A-A

DETAIL P  
SCALE 10:1

Recommended strain relief  
SCALE 5:1



SCALE 2:1

SCALE 2:1

matl. code		tolerances unless otherwise specified		CUSTOMER COPY		FCJ ELECTRONICS	
ltr	ecn no	dr	date	linear	projection	title Data Plug Recommended grommet	
J				angles	mm	product family	Mobile I/O
		dr	J.Gilbels	001004	scale	size	213
		engr	H.Verelijken	001004	5:1	sheet	4 of 5
		chr	M.Klein	001004			
		appd	R.Semmeling	001004			
sheet index	revision	sheet					

All rights reserved. Reproduction or use in any form without the written permission of FCJ is prohibited. © FCJ Inc.



All rights reserved. Reproduction or use in any form without the written permission of FCJ is prohibited. © FCJ Inc.