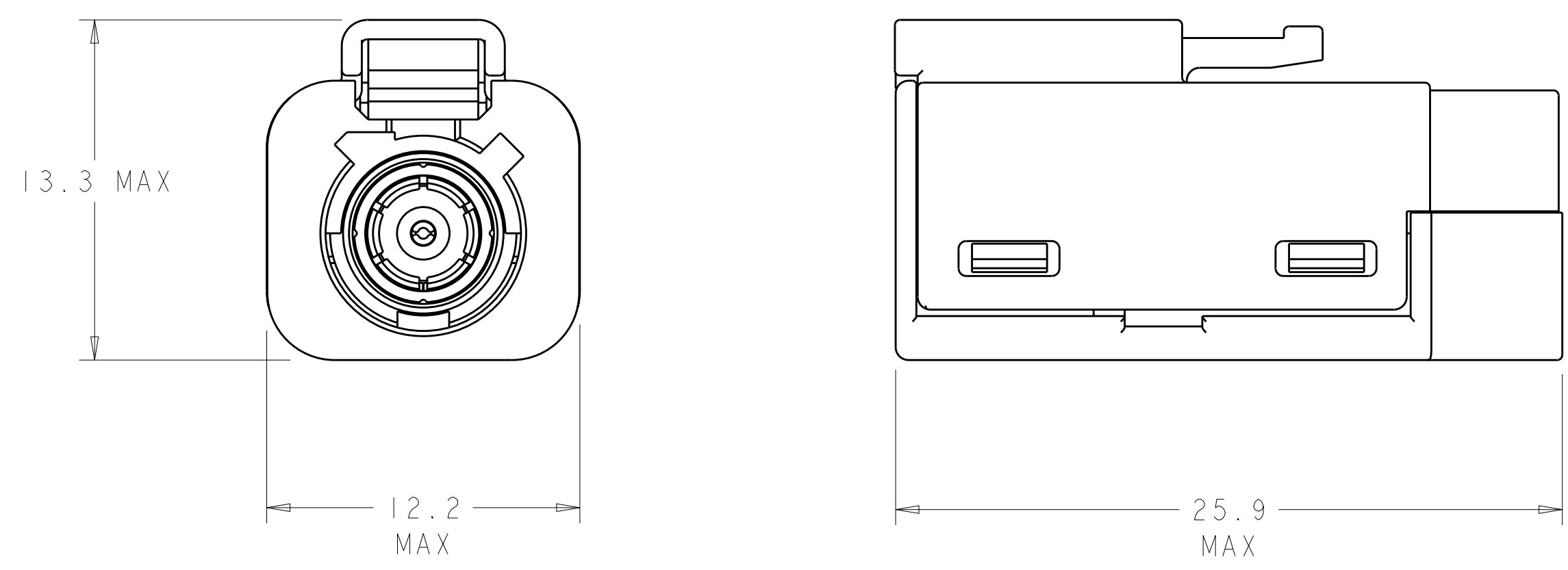
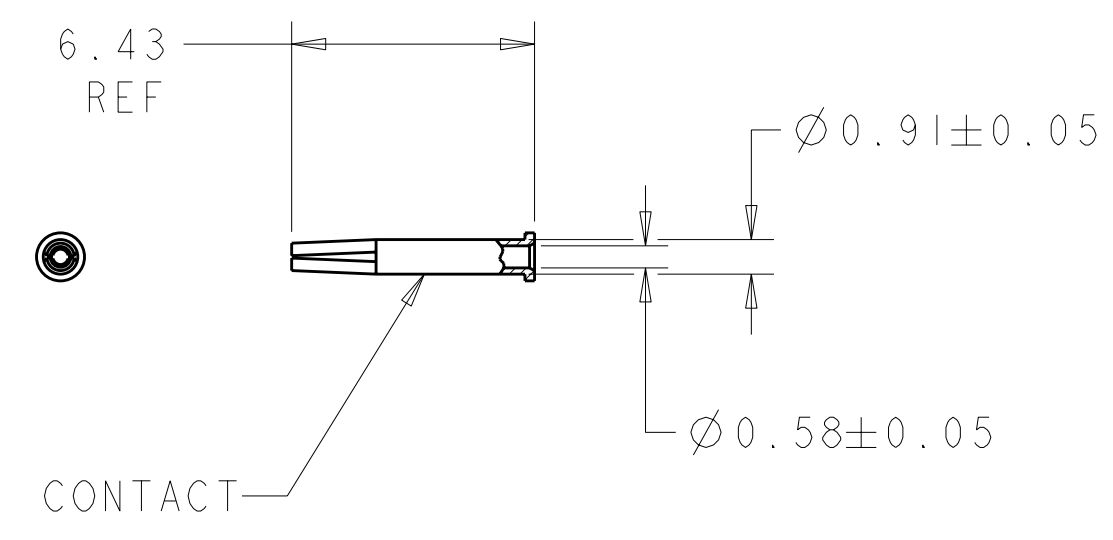
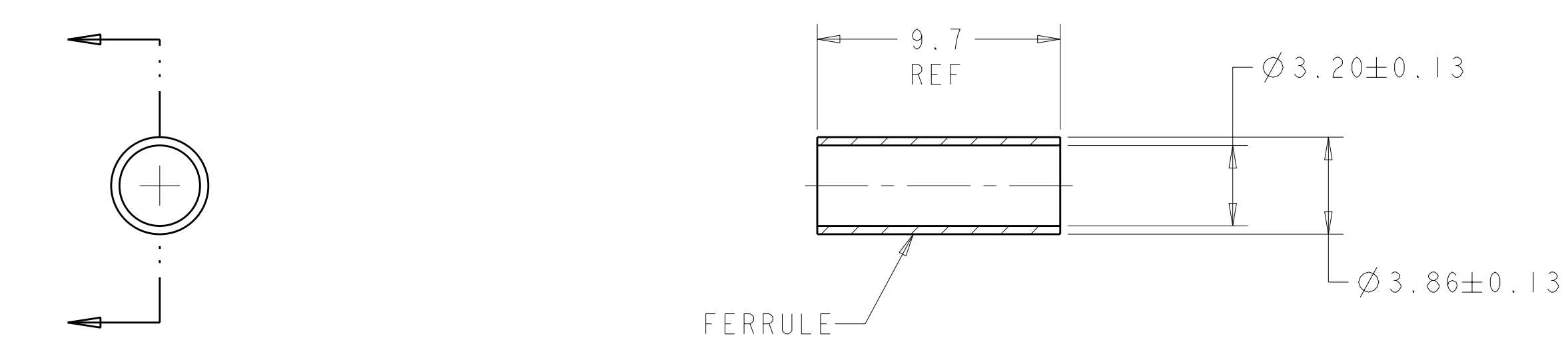
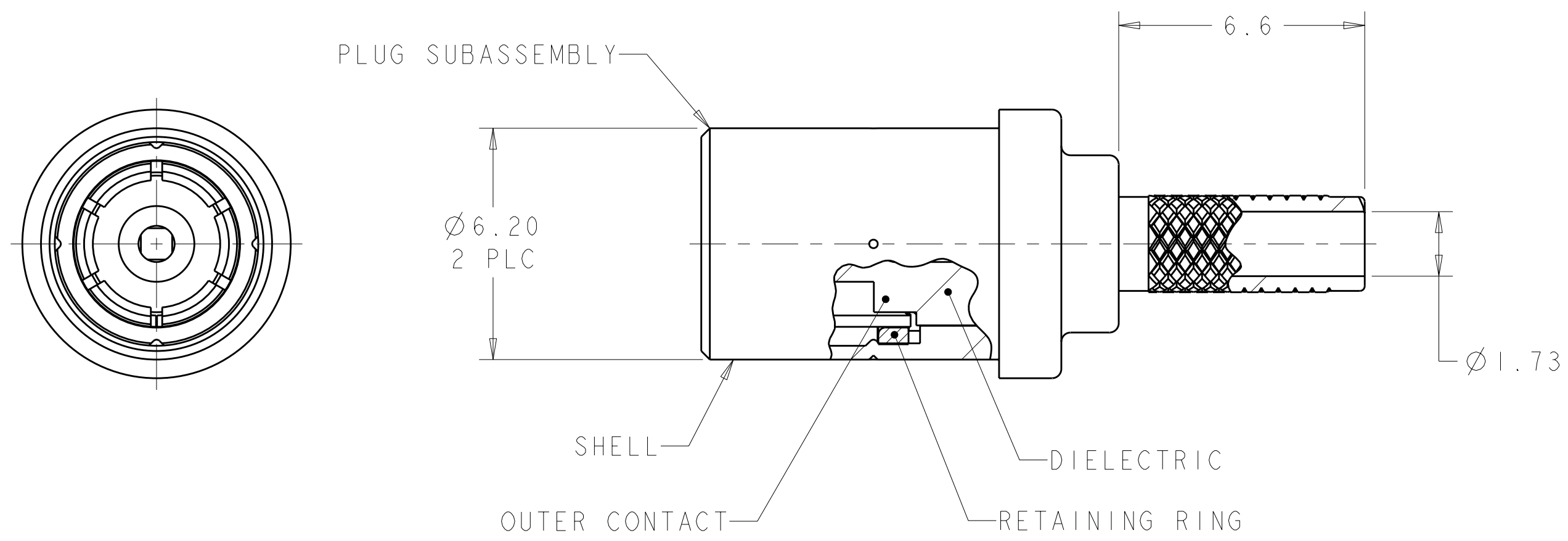
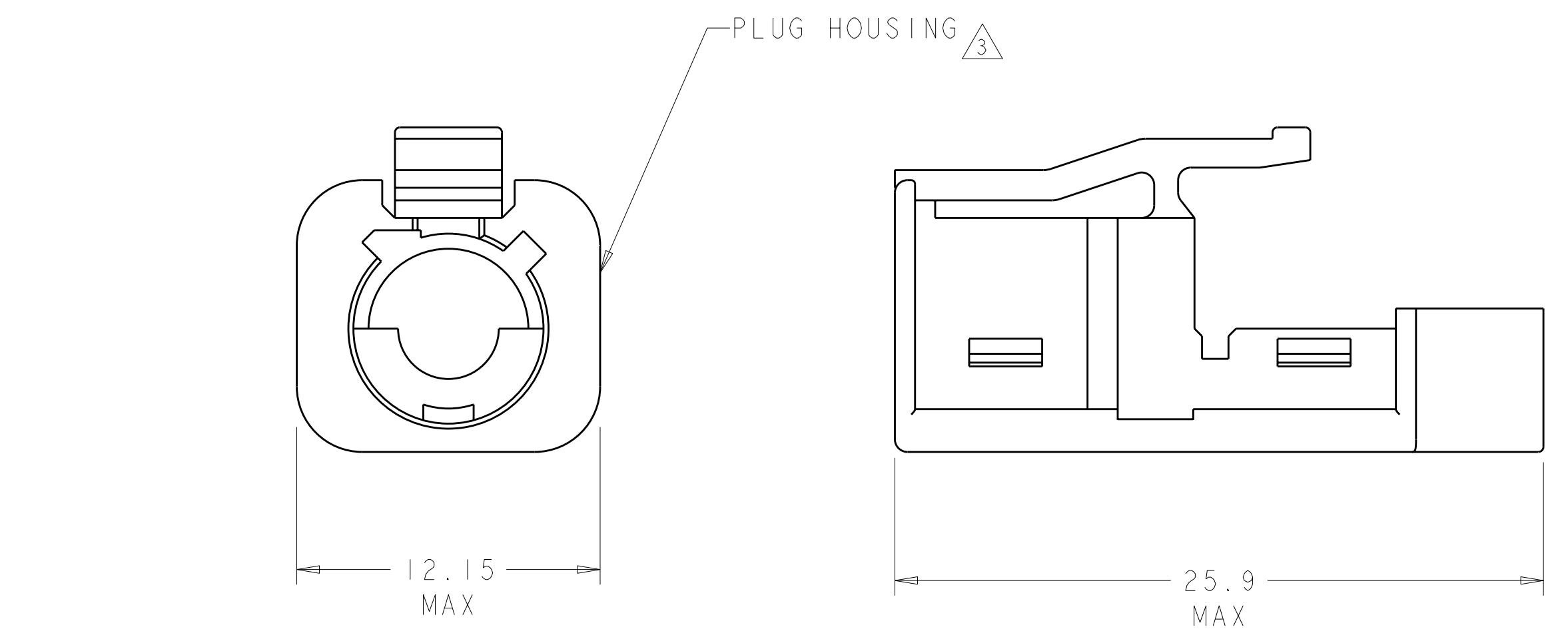
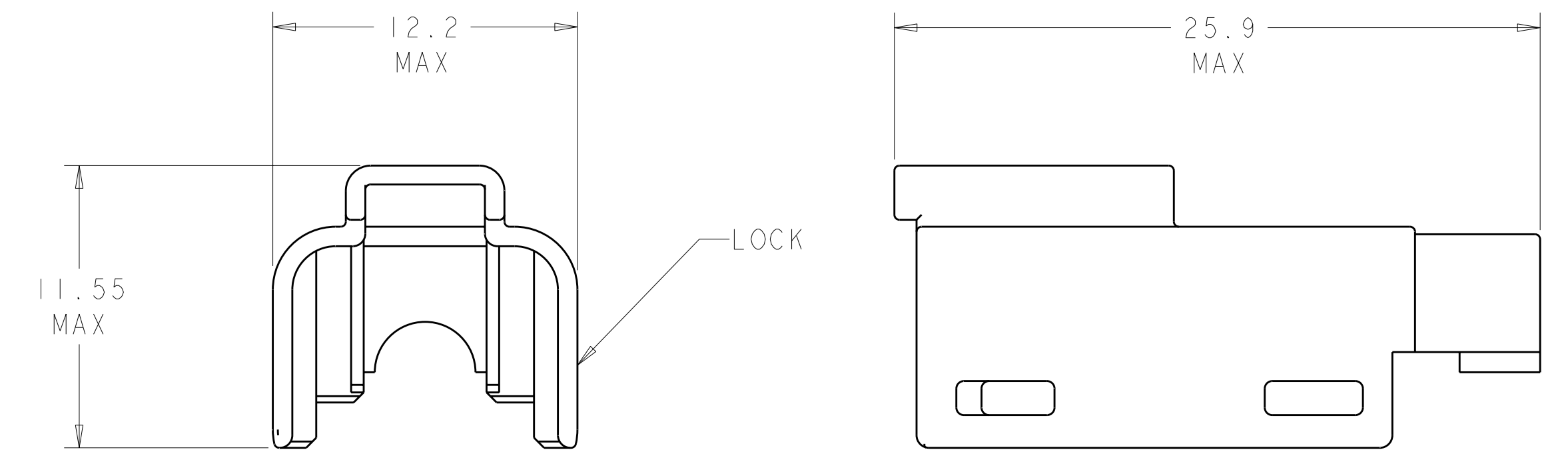


LOC	DIST	REV	DATE	BY	CHK	APPV
FX	00	H	30OCT2002	AH	SM	
		J	09MAR2011	DLD	LLV	



ASSEMBLED VIEWS

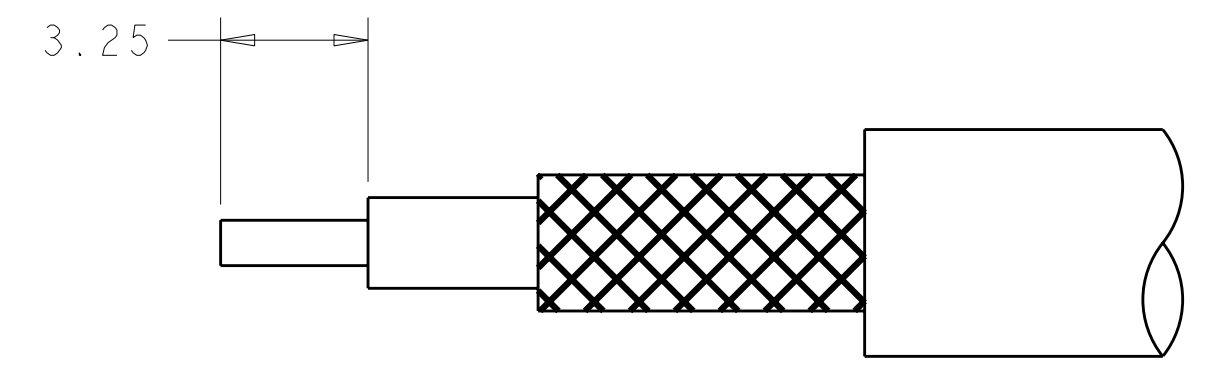


- △ HOUSING: POLYESTER PBT, COLOR: SEE TABLE, UL 94V-0 RATED.
 LOCK: POLYESTER PBT, NATURAL, UL 94V-0 RATED.
 PLUG SUBASSEMBLY:
 SHELL: ZINC.
 OUTER CONTACT: BERYLLIUM COPPER.
 RETAINING RING: BRASS.
 DIELECTRIC: PBT.
 CONTACT: BERYLLIUM COPPER.
 FERRULE: COPPER.

- △ FINISH
 SHELL: 2.0µm MIN TIN-LEAD OVER 1.52µm MIN NICKEL OVER COPPER FLASH.
 OUTER CONTACT: 2.0µm MIN TIN-LEAD OVER 1.27µm MIN NICKEL.
 CONTACT: 1.27µm MIN THICK GOLD OVER 1.27µm MIN THICK NICKEL.
 RETAINING RING: 2.0µm MIN TIN-LEAD OVER 1.27µm MIN NICKEL.
 FERRULE: TIN-LEAD 2.54µm MIN.

- △ PLUG INTERFACE PER ISO TC 22/WG 5 N44, ROAD VEHICLES- RADIO FREQUENCY INTERFACE- DIMENSION AND ELECTRICAL REQUIREMENTS.

- CRIMP CONTACT USING MIL HAND TOOL M22520/2-01 WITH DANIELS POSITIONER K699, SET AT POSITION 4 PER TYCO SPECIFICATION 408-8428.
- CRIMP CABLE BRAID USING MIL HAND TOOL M22520/5-01 WITH DANIELS DIE SET Y1637 (.128 INCH HEX) OR AMP PRO-CRIMPER II WITH DIE SET 58483-1 PER TYCO SPECIFICATION 408-8428.
- PLUG SUBASSEMBLY WILL ACCEPT RG-174 OR RG-316 COAXIAL CABLE.



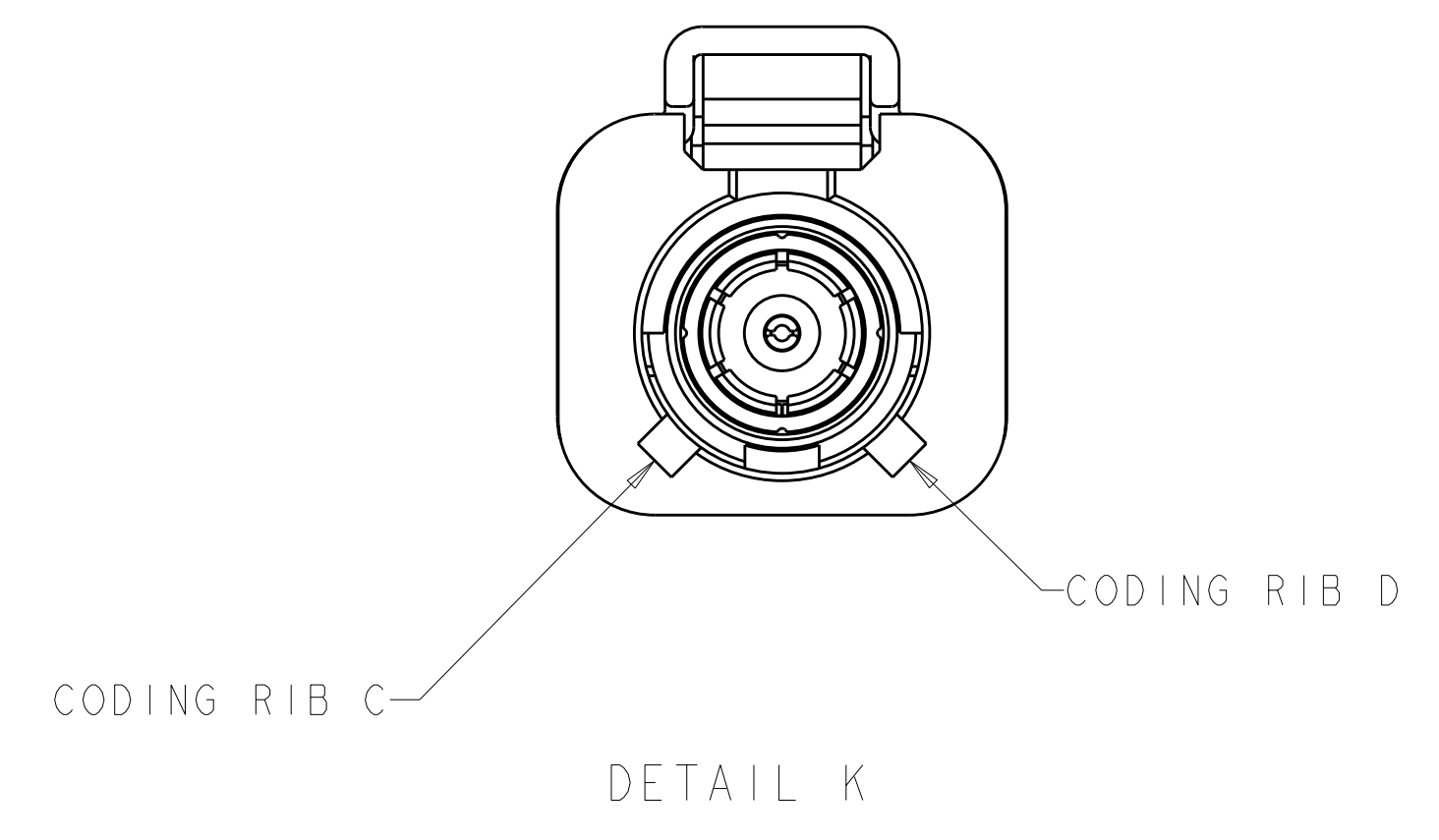
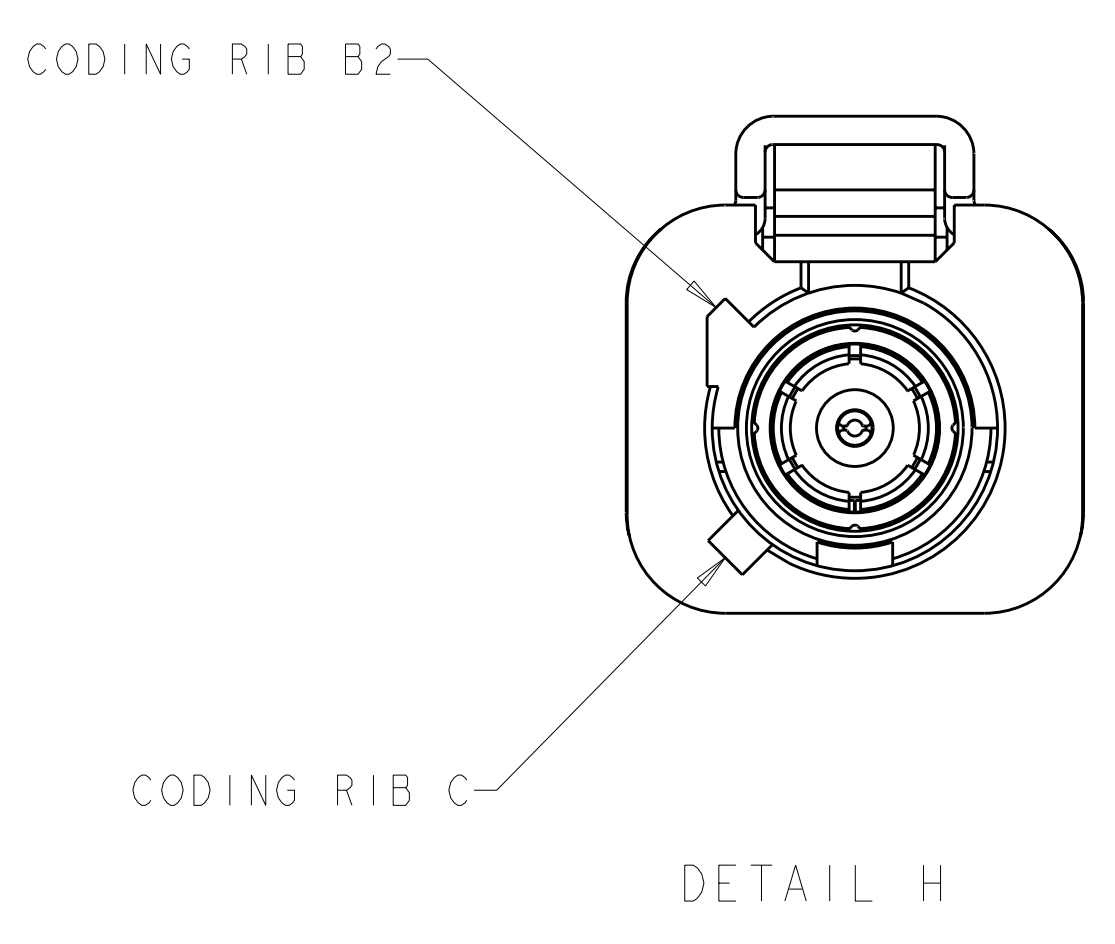
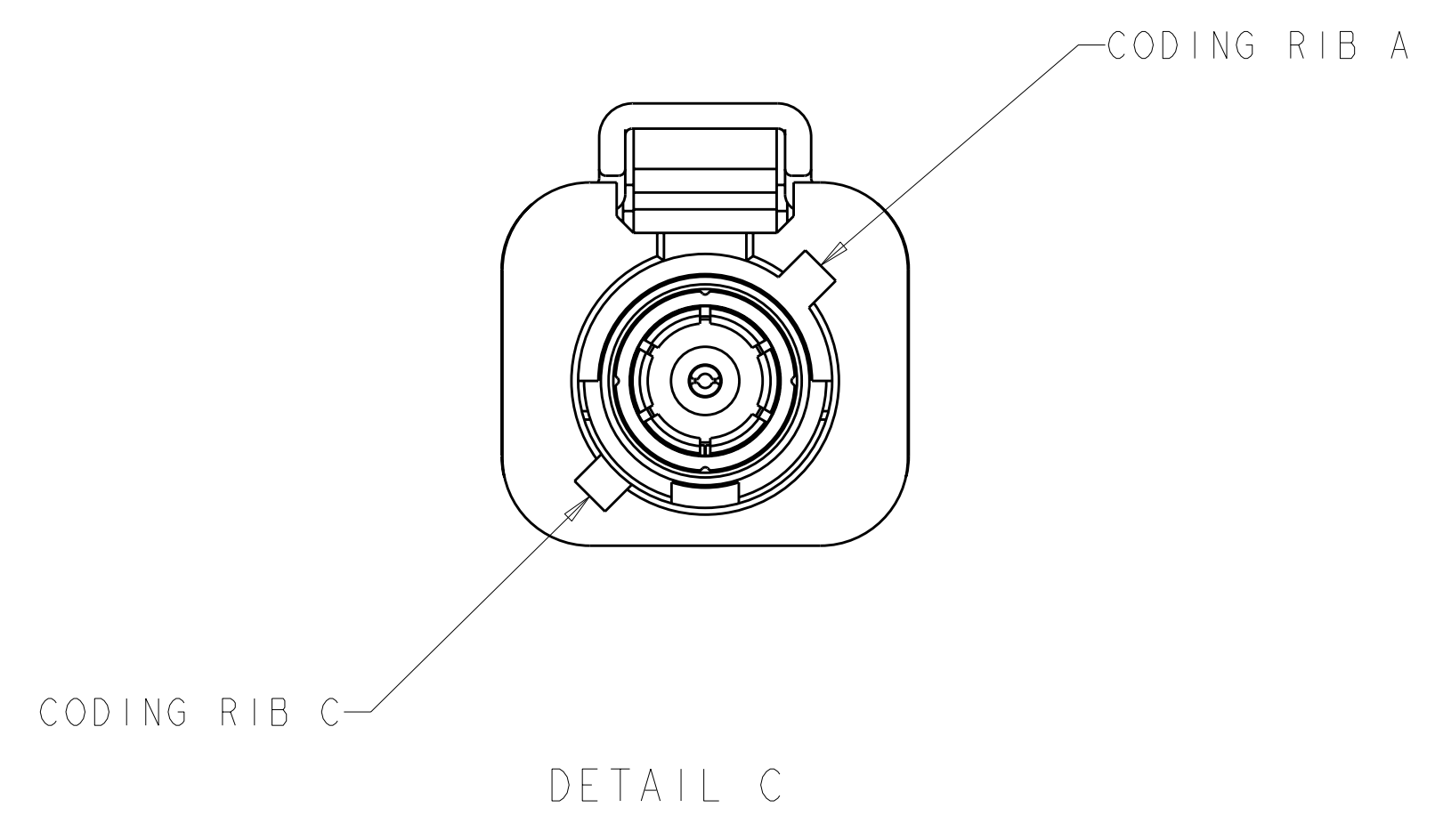
RECOMMENDED STRIP LENGTH DIMENSIONS
 SCALE: NTS

PER DETAIL	KEYING	KEY CODING	HOUSING COLOR	PART NUMBER
K	K	CURRY		1-638832-0
H	H	VIOLET		638832-8
C	C	BLUE		638832-3

DIMENSIONS: mm 9 PLC ±.5 1 PLC ±0.5 3 PLC ±0.25 5 PLC ±.1 4 PLC ±.1 ANGLES ±.1	TOLERANCES UNLESS OTHERWISE SPECIFIED: FINISH: -2	DWN: D. HARDY 13JUL2000 CHK: J.W. HALL 14JUL2000 APPV: J.W. HALL 14JUL2000 PRODUCT SPEC: 108-1991 APPLICATION SPEC: 408-8428 WEIGHT: - CUSTOMER DRAWING	Tyco Electronics Harrisburg, PA 17105-3608 NAME: PLUG KIT, UNASSEMBLED, FAKRA, 50 Ohm, RG-174, SMB SIZE: A1 CAGE CODE: 00779 DRAWING NO: 638832 RESTRICTED TO: - SCALE: 5:1 SHEET: 1 OF 2 REV: J
-----------------------------------------------------------------------------------------------------	------------------------------------------------------	---------------------------------------------------------------------------------------------------------------------------------------------------------------------------	-----------------------------------------------------------------------------------------------------------------------------------------------------------------------------------------------------------------------------

THIS DRAWING IS UNPUBLISHED. RELEASED FOR PUBLICATION 20
 © COPYRIGHT 20 BY TYCO ELECTRONICS CORPORATION. ALL RIGHTS RESERVED.

LOC	DIST	REVISIONS					
		P	LTB	DESCRIPTION	DATE	DWN	APVD
FX	00	-	-	SEE SHEET 1	-	-	-



<small>THIS DRAWING IS UNPUBLISHED. RELEASED FOR PUBLICATION 20. THIS DRAWING IS UNPUBLISHED. RELEASED FOR PUBLICATION 20. THIS DRAWING IS UNPUBLISHED. RELEASED FOR PUBLICATION 20. THIS DRAWING IS UNPUBLISHED. RELEASED FOR PUBLICATION 20. THIS DRAWING IS UNPUBLISHED. RELEASED FOR PUBLICATION 20.</small>		DWN D. HARDY 13JUL2000	Tyco Electronics Harrisburg, PA 17105-3608	
DIMENSIONS: mm 		CHK J.W.HALL 14JUL2000	NAME PLUG KIT, UNASSEMBLED, FAKRA, 50 Ohm, RG-174, SMB	
TOLERANCES UNLESS OTHERWISE SPECIFIED: 0 PLC ± 1 PLC ±0.5 2 PLC ±0.25 3 PLC ± 4 PLC ± ANGLES ± FINISH ±		APVD J.W.HALL 14JUL2000	PRODUCT SPEC APPLICATION SPEC WEIGHT CUSTOMER DRAWING	
MATERIAL		SIZE A	CAGE CODE 00779	DRAWING NO C=638832
		SCALE 1:1	SHEET 2	OF 2
		REV J		