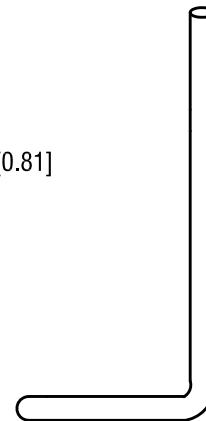
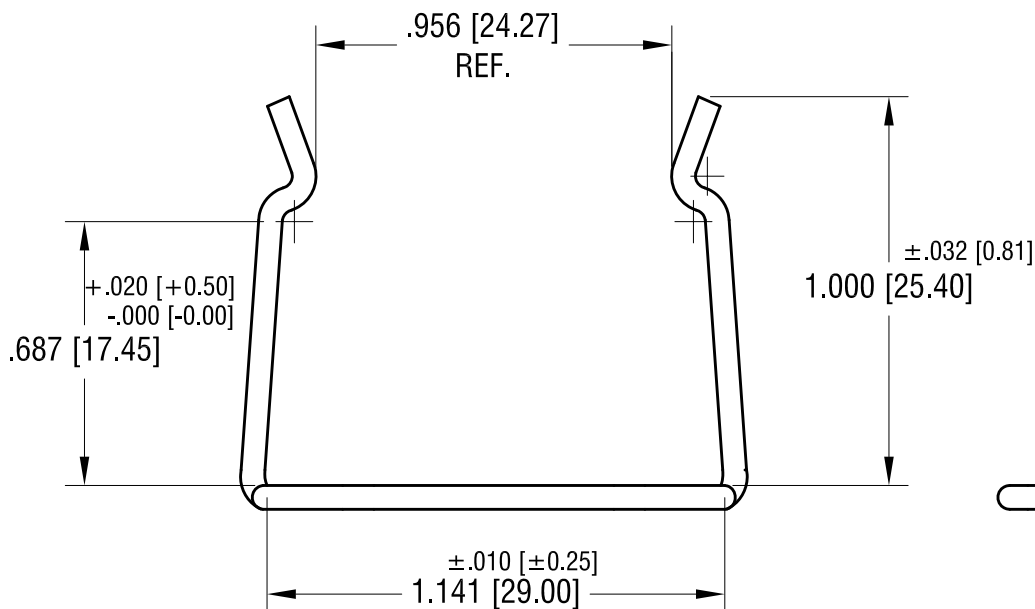
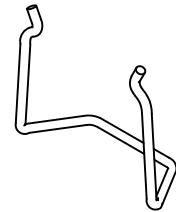
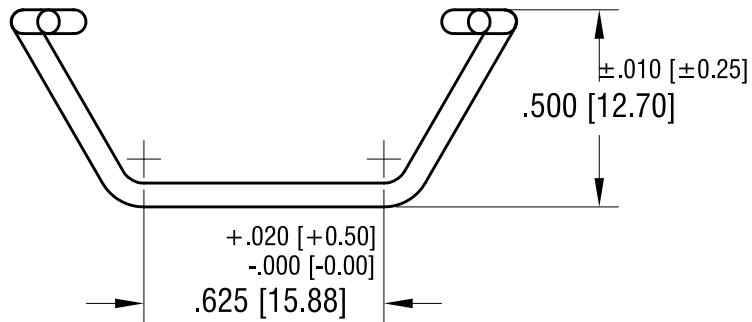


THIS DOCUMENT IS THE PROPERTY OF KEYSTONE ELECTRONICS CORP. AND SHALL NOT BE REPRODUCED, DISTRIBUTED OR USED AS A BASIS FOR MANUFACTURE WITHOUT PRIOR WRITTEN PERMISSION FROM KEYSTONE ELECTRONICS CORP.

ACTUAL SIZE



| | | |
|----------|--------------------------|------|
| 1.02.15 | CHANGE AS PER ECN 15-001 | C |
| 10.01.14 | CHANGE AS PER ECN 14-108 | B |
| 8.22.01 | CHANGE AS PER ECN 01-056 | A |
| DATE | DESCRIPTION | REV. |

| | | | |
|---|-----------------|--------|-----------|
| KEYSTONE ELECTRONICS CORP. | | | |
| www.keyelco.com • ASTORIA, N.Y. 11105-2017 • Tel (718) 956-8900 | | | |
| PART NAME | | | |
| "D" CELL RETAINER CLIP | | | |
| MATERIAL | | | |
| .062 DIA. STAINLESS STEEL, SPRING WIRE | | | |
| FINISH | | DRN BY | DATE |
| NONE | | NT | 10.8.81 |
| | | APP'D | SCALE |
| | | LN | 2X |
| TOLERANCES | INCH [MM] | CODE | DWG NO. |
| DECIMAL | ± .010 [± 0.25] | C | 63 |
| ANGULAR | ± 1° | | |
| UNLESS OTHERWISE SPECIFIED | | | |