

585 Series

Cap for Fuse Holders for 5x20mm Fuses



585 Cap
SLOTTED TOP
FOR 5x20MM FUSE

Product Characteristics

| | |
|--|--|
| Compatible Fuse Types | 5x20mm |
| Materials | Cap: Thermoplastic (Polyamide PA 66), UL 94 V-0, black Metal Parts: Copper alloy, corrosion protected |
| Electrical Data (23°C) | Rated Voltage: 250V Max. Current/Power: 6.3V / 2.5 W |
| Mounting | Screw Finger Grip |
| Protection Class & Category | IP 40 (IEC 60529) |
| Operating Temperature | -25 °C to 70 °C |
| Storage Temperature | 10 °C to 60 °C |
| Contact Resistance | ≤ 5mΩ |
| Dielectric Strength | 3 kV, 50Hz, 1 min., dry |
| Insulation Resistance | > 10 ³ MΩ (500 V DC, 1 min.) |

Additional Information



Resources



Accessories

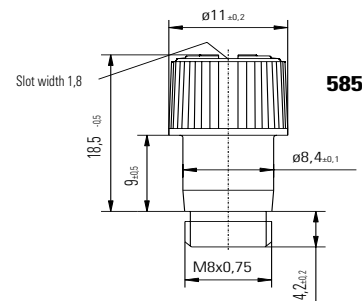


Samples

Ordering Information

| Description | Ordering Number | Packaging |
|--------------|-----------------|-----------|
| Cap, 5x20 mm | 58500000005 | Bulk 100 |
| Cap, 5x20mm | 58500000015 | Bulk 1000 |

Dimensions



Disclaimer Notice - Information furnished is believed to be accurate and reliable. However, users should independently evaluate the suitability of and test each product selected for their own applications. Littelfuse products are not designed for, and may not be used in, all applications. Read complete Disclaimer Notice at: www.littelfuse.com/disclaimer-electronics.