



Designers' Choice

HOUSINGS & HEADERS

PLUG-IN HOUSINGS

Enhance the appearance and give a professional look to your products using these molded housings. Ideally suited for packaging relays, logic packages, networks and miniature circuitry. Durable, lightweight covers withstand vibrations and rough usage.

HEADERS: Molded of G.P. black phenolic. Fits standard sockets. **PINS:** Brass, Nickel Plated.

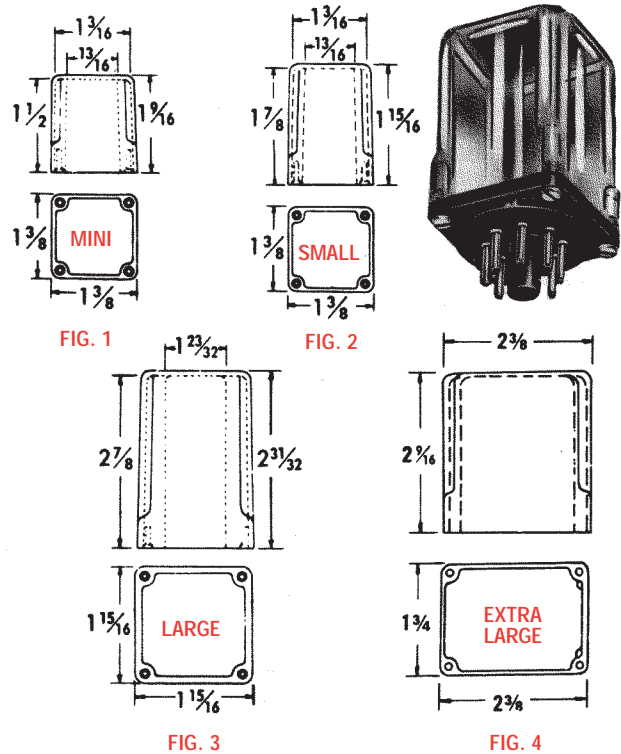
MATERIAL CHARACTERISTICS:

- Variety of molded materials
- Good chemical resistance.

POLYSTYRENE: For general purpose use where high impact strength is not required and temperature would not exceed 170° F.

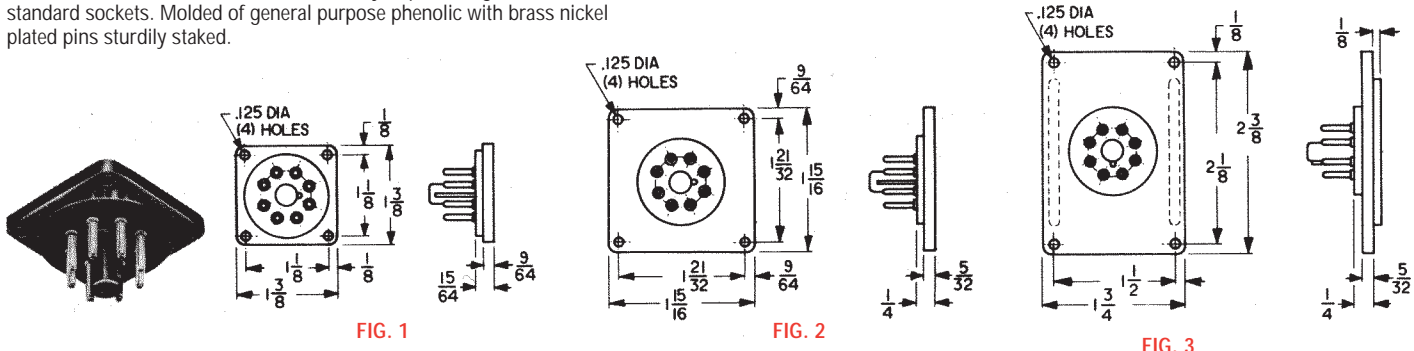
LEXAN: 3 Times the impact strength of Polystyrene. Excellent electrical properties. Use wherever temperatures of 280° F exist

Housing with Octal Header & 4 Screws CAT. NO.	Housing Only CAT. NO.	Fig. No.	Type	Material	Color
660	670	1	Mini	Lexan	Clear
661	671	1	Mini	Lexan	White
662	672	1	Mini	Polystyrene	Clear
641	675	1	Mini	Polystyrene	Opaque Black
663	673	2	Small	Lexan	Clear
664	674	2	Small	Lexan	White
665	676	2	Small	Polystyrene	Clear
643	647	2	Small	Polystyrene	Opaque Black
650	649	3	Large	Lexan	Clear
668	679	3	Large	Polystyrene	Clear
677	666	3	Large	Polystyrene	Opaque Black
639	640	4	Xtra-L'ge	Polystyrene	Clear
710	711	4	Xtra-L'ge	Polystyrene	Opaque Black
712	713	4	Xtra-L'ge	Lexan	Clear




HEADERS FOR THE ABOVE HOUSINGS

HEADERS: Headers are available in a variety of pin configurations that fit standard sockets. Molded of general purpose phenolic with brass nickel plated pins sturdily staked.



1 3/8 Sq. Headers for Mini & Small Housing (Fig. 1 Above) CAT. NO.	Pin Configuration	1 15/16 Sq. Headers for Large Housing (Fig. 2 Above) CAT. NO.	1 3/4 x 2 3/8 Headers for Extra Large Housing (Fig. 3 Above) CAT. NO.
681	Octal	685	690
682	Nine Pin	Not Available	Not Available
683	Eleven Pin	686	714



SELF TAPPING SCREW
CAT. NO. 689-For covers #4x3/8 Lg.