

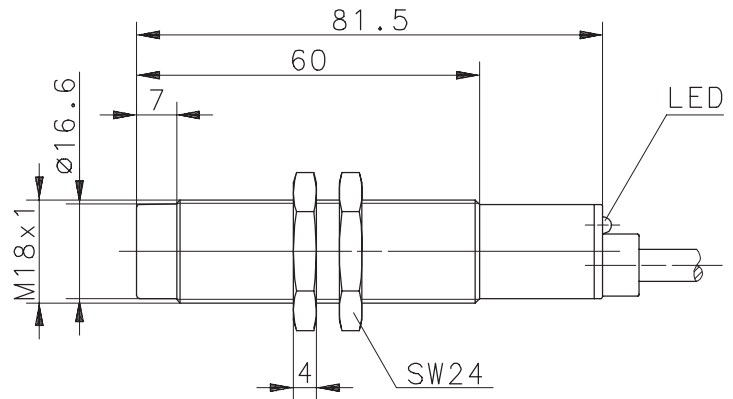
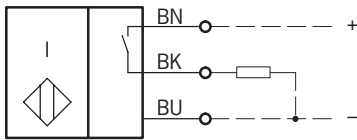
Technical Data

Inductive Proximity Switch

Type: **KIN-M18PS/008-KL2**

Part.-No.: **650.2906.200**

Wiring Diagram



Technical Data according to EN 60947-5-2

Electrical Data

| | | |
|----------------------------------|-----------|---|
| Operational voltage range | U_B | 10 - 60VDC |
| Rated insulation voltage | U_i | 75VDC |
| Rated impulse withstand voltage | U_{imp} | 500V |
| Voltage drop | U_d | $\leq 2,5V$ |
| Utilization category | | DC-13 @ $I_e = 50mA$ and $U_e = 33V$ DC |
| Rated operational current | I_e | $\leq 200mA$ |
| Off-state current | I_r | $< 0,1mA$ |
| No-load supply current | I_0 | $< 8mA$ |
| Type of protection | | IP 67 |
| Short-circuit protection | | pulsed |
| Rated operating distance | s_n | 8mm |
| Assured operating distance | s_a | 0 ... 6,5mm |
| Repeat accuracy | R | $\leq 5\%$ |
| Differential travel (hysteresis) | H | $\approx 10\%$ |
| Frequency of operating cycles | f | 200Hz |
| Switching function | | DC, N.O. |
| Mounting | | non flush |
| False polarity protection | | yes |
| Output | | permanent overload and s.c.p. |
| Time delay before availability | t_v | $\leq 50ms$ |

Elektromagnetic compatibility (EMC)

| | |
|---|---------------|
| Electromagnetic field test | IEC 61000-4-3 |
| Electrostatic discharge test | IEC 61000-4-2 |
| Electrical fast transient immunity test | IEC 61000-4-4 |
| Radiated disturbance field strength | EN55011 |
| Impulse voltage withstandability | IEC 255-5 |

Mechanical Data

| | |
|-----------------------|--|
| Operating temperature | -25°C bis +70°C |
| Front cap | PA 6.6, black |
| Housing | brass, nickel plated |
| Indication | LED, yellow |
| Termination type | Cable 3 x 0,5mm ² x 2m; PVC - Outer jacket, black |
| For attachment | 2 x hexagon nut |