

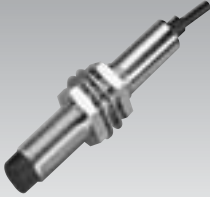

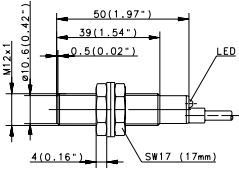
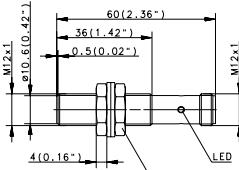
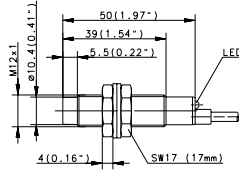
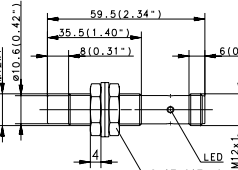

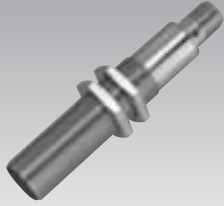


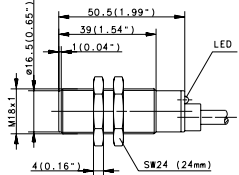
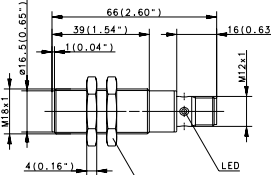
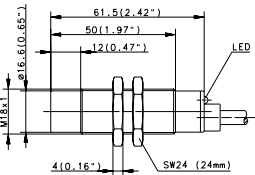
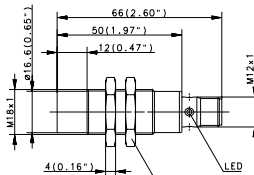


# Inductive sensors with increased sensing distances

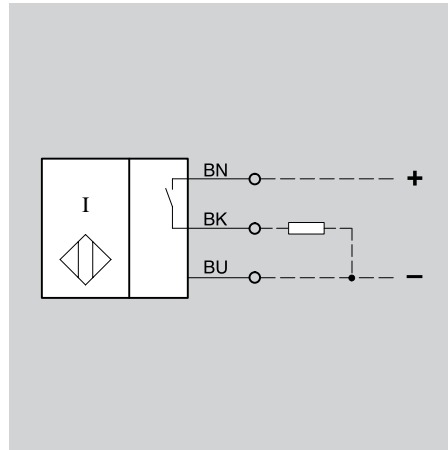
Type M12	4 mm sensing distance		8 mm sensing distance	
				
	flush metal design		non-flush metal design	
	2 m cable	M12 plug	2 m cable	M12 plug
PNP normally-open contact*)	KIB-M12PS/004-KL2E <b>650.2903.025</b>	KIB-M12PS/004-KLS12E <b>650.2943.015</b>	KIN-M12PS/008-KL2E <b>650.2904.021</b>	KIN-M12PS/008-KLS12E <b>650.2944.013</b>
Dimensions				

Type M18	8 mm sensing distance		16 mm sensing distance	
				
	flush metal design		non-flush metal design	
	2 m cable	M12 plug	2 m cable	M12 plug
PNP normally-open contact*)	KIB-M18PS/008-KL2E <b>650.2905.022</b>	KIB-M18PS/008-KLS12E <b>650.2940.005</b>	KIN-M18PS/016-KL2E <b>650.2906.018</b>	KIN-M18PS/016-KLS12E <b>650.2941.004</b>
Dimensions				

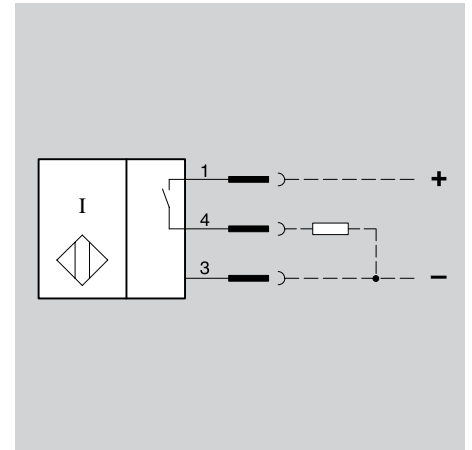
\*) Order only with part number, NPN- and normally-closed version on request

## Wiring diagrams

Type M12/M18, cable version



Type M12/M18, plug version



## Accessories

Cable couplings see page 284 ff.

## General data

	M12		M18	
	flush	non-flush	flush	non-flush
Operating voltage	10–36 V			
Rated operating voltage	$\leq 200$ mA			
Switching hysteresis	10% from rated switching distance			
Reproducibility	$\leq 5\%$			
Switching frequency	800 Hz	400 Hz	500 Hz	200 Hz
Output	short circuit- and overload proof			
Polarity reversal protection	yes			
Rated switching distance	4 mm	8 mm	8 mm	16 mm
Functions-/operating voltage display	●/–	●/–	●/–	●/–
Ambient temperature	– 25 °C to + 70 °C			
Protection class	IP 67 according to IEC 529, EN 60 529			
Enclosure	nickel-plated brass (CuZn39Pb3)			
Cable PVC	3 x 0.14		3 x 0.5	