

Inductive sensors

M 4 x 0.5

M 5 x 0.5

M 8 x 1



Rated operating distance	
Mounting	flush /non-flush
Switching functions	
	Model description
Normally-open (NO)	Part number
	Wiring diagram (page/pos.)
Stock status: Ex stock/Built to order	
	Model description
Normally-closed (NC)	Part number
	Wiring diagram (page/pos.)
Stock status: Ex stock/Built to order	
	Model description
Normally-closed/open (NC/NO) selectable	Part number
	Wiring diagram (page/pos.)
Stock status: Ex stock/Built to order	
	Model description
Complementary	Part number
	Wiring diagram (page/pos.)
Stock status: Ex stock/Built to order	
Electrical data	
Voltage range	
Output current	min./max.
Switching frequency	max.
Short-circuit protection	
LED: yellow = switched / green = power	
Sensitivity adjustment	
Mechanical data	
Temperature range	min./max.
Protection type	
Housing material	
Termination	cable 2 m/6.5 ft mm ²
	plug (page)
Accessories	(page/Pos.)

M 4

0.6 mm (0.02")

NPN	PNP	AC
KIB-M04NS/ 0.6-KL2PU	KIB-M04PS/ 0.6-KL2PU	-
650.2399.018	650.2999.020	
263/4	263/1	
-/●	●/-	
-	KIB-M04PÖ/ 0.6-KL2PU	-
	650.2799.008	
	263/2	
	-/●	
-	-	-

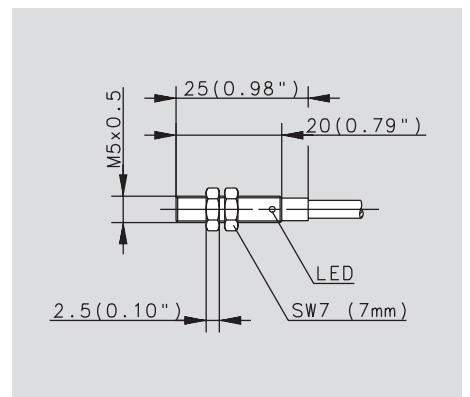
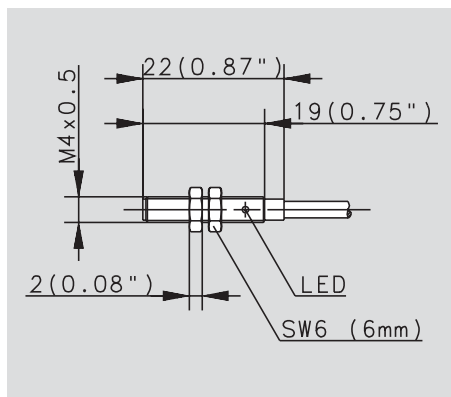
M 5

1 mm (0.04")

NPN	PNP	AC
KIB-M05NS/ 001-KL2PU	KIB-M05PS/ 001-KL2PU	-
650.2399.003	650.2999.003	
263/4	263/1	
-/●	●/-	
-	KIB-M05NÖ/ 001-KL2PU	-
	650.2199.001	
	263/5	
	-/●	
-	-	-

Dimension diagrams

All dimensions in mm (inch)





M 5

1 mm (0.04")

	●/-	-
NPN	PNP	AC
-	KIB-M05PS/ 001-KLSM8 650.2999.018 263/1	-
-	●/-	-
-	-	-
-	-	-
-	-	-
-	10-30 V	-
-	-200 mA	-
-	3000 Hz	-
-	●	-
-	●/-	-
-	-	-
-	-25 °C/+70 °C	-
-	-13 °F/+158 °F	-
-	IP 67/NEMA 4	-
-	CuZn39Pb3	-
-	-	-
-	282/283	-
-	266/4	-

M 8 x 1

1.5 mm (0.06")

	●/-	●/-	-
NPN	PNP	AC	
-	KIB-M08NS/ 1.5-KL2 650.2301.003 263/4	-	-
-	●/-	●/-	-
-	KIB-M08NÖ/ 1.5-KL2 650.2101.001 263/5	-	-
-	●/-	●/-	-
-	-	-	-
-	10-36 V	10-36 V	-
-	-200 mA	-200 mA	-
-	1000 Hz	1000 Hz	-
-	●	●	-
-	●/-	●/-	-
-	-	-	-
-	-25 °C/+70 °C	-25 °C/+70 °C	-
-	-13 °F/+158 °F	-13 °F/+158 °F	-
-	IP 67/NEMA 4	IP 67/NEMA 4	-
-	stainless steel 1.4305	stainless steel 1.4305	-
-	PVC 3x0.14	PVC 3x0.14	-
-	-	-	-
-	282/283	282/283	-
-	-	-	-

M 8 x 1

1.5 mm (0.06")

	●/-	●/-	-
NPN	PNP	AC	
-	KIB-M08NS/ 1.5-KLSM8 650.2342.003 263/4	-	-
-	-/●	●/-	-
-	-	KIB-M08PÖ/ 1.5-KLSM8 650.2942.005 263/1	-
-	-	●/-	-
-	-	-	-
-	10-36 V	10-36 V	-
-	-200 mA	-200 mA	-
-	1000 Hz	1000 Hz	-
-	●	●	-
-	●/-	●/-	-
-	-	-	-
-	-25 °C/+70 °C	-25 °C/+70 °C	-
-	-13 °F/+158 °F	-13 °F/+158 °F	-
-	IP 67/NEMA 4	IP 67/NEMA 4	-
-	stainless steel 1.4305	stainless steel 1.4305	-
-	-	-	-
-	282/283	282/283	-
-	-	-	-

