

# Inductive sensors

- M 4 x 0.5
- M 5 x 0.5
- M 8 x 1

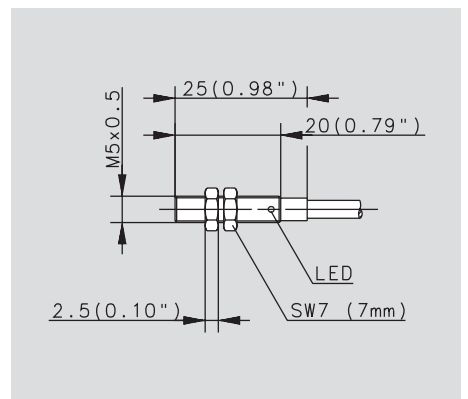
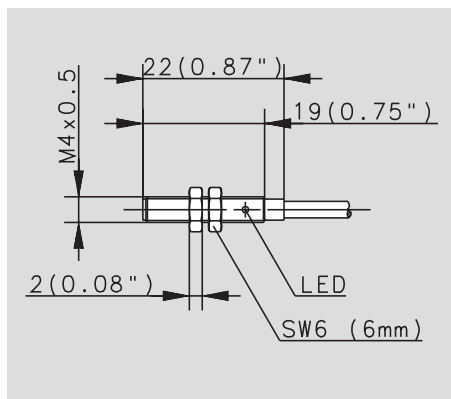


Rated operating distance	
Mounting	flush  /non-flush
Switching functions	
	Model description
Normally-open (NO)	Part number
	Wiring diagram (page/pos.)
Stock status: Ex stock/Built to order	
	Model description
Normally-closed (NC)	Part number
	Wiring diagram (page/pos.)
Stock status: Ex stock/Built to order	
	Model description
Normally-closed/open (NC/NO) selectable	Part number
	Wiring diagram (page/pos.)
Stock status: Ex stock/Built to order	
	Model description
Complementary	Part number
	Wiring diagram (page/pos.)
Stock status: Ex stock/Built to order	
Electrical data	
Voltage range	
Output current	min./max.
Switching frequency	max.
Short-circuit protection	
LED: yellow = switched / green = power	
Sensitivity adjustment	
Mechanical data	
Temperature range	min./max.
Protection type	
Housing material	
Termination	cable 2 m/6.5 ft mm <sup>2</sup>
	plug (page)
Accessories	(page/Pos.)

M 4			M 5		
0.6 mm (0.02")			1 mm (0.04")		
NPN	PNP	AC	NPN	PNP	AC
KIB-M04NS/ 0.6-KL2PU	KIB-M04PS/ 0.6-KL2PU	-	KIB-M05NS/ 001-KL2PU	KIB-M05PS/ 001-KL2PU	-
<b>650.2399.018</b>	<b>650.2999.020</b>		<b>650.2399.003</b>	<b>650.2999.003</b>	
263/4	263/1		263/4	263/1	
-/●	●/-		-/●	●/-	
-	KIB-M04PÖ/ 0.6-KL2PU	-	KIB-M05NÖ/ 001-KL2PU	KIB-M05PÖ/ 001-KL2PU	-
	<b>650.2799.008</b>		<b>650.2199.001</b>	<b>650.2799.001</b>	
	263/2		263/5	263/2	
	-/●		-/●	●/-	
-	-	-	-	-	-
-	-	-	-	-	-
-	-	-	-	-	-
10-30 V	10-30 V	-	10-30 V	10-30 V	-
-/100 mA	-/100 mA	-	-/200 mA	-/200 mA	-
3000 Hz	3000 Hz	-	3000 Hz	3000 Hz	-
●	●	-	●	●	-
●/-	●/-	-	●/-	●/-	-
-	-	-	-	-	-
-25 °C/+70 °C	-25 °C/+70 °C	-	-25 °C/+70 °C	-25 °C/+70 °C	-
-13 °F/+158 °F	-13 °F/+158 °F	-	-13 °F/+158 °F	-13 °F/+158 °F	-
IP 67/NEMA 4	IP 67/NEMA 4	-	IP 67/NEMA 4	IP 67/NEMA 4	-
CuZn39Pb3	CuZn39Pb3	-	CuZn39Pb3	CuZn39Pb3	-
PUR 3x0.055	PUR 3x0.055	-	PUR 3x0.14	PUR 3x0.14	-
-	-	-	-	-	-
266/3	266/3	-	266/4	266/4	-

## Dimension diagrams

All dimensions in mm (inch)



**M 5****1 mm (0.04")**

-	●/-	-
<b>NPN</b>	<b>PNP</b>	<b>AC</b>

-	KIB-M05PS/ 001-KLSM8	-
-	<b>650.2999.018</b>	-
-	263/1	-

-	●/-	-
---	-----	---

-	-	-
---	---	---

-	-	-
---	---	---

-	-	-
---	---	---

-	-	-
---	---	---

-	-	-
---	---	---

-	-	-
---	---	---

-	-	-
---	---	---

-	-	-
---	---	---

-	-	-
---	---	---

-	-	-
---	---	---

-	-	-
---	---	---

-	-	-
---	---	---

-	-	-
---	---	---

-	-	-
---	---	---

-	-	-
---	---	---

-	-	-
---	---	---

-	-	-
---	---	---

-	-	-
---	---	---

-	-	-
---	---	---

-	-	-
---	---	---

-	-	-
---	---	---

-	-	-
---	---	---

-	-	-
---	---	---

-	-	-
---	---	---

-	-	-
---	---	---

-	-	-
---	---	---

-	-	-
---	---	---

-	-	-
---	---	---

**M 8 x 1****1.5 mm (0.06")**

●/-	●/-	-
<b>NPN</b>	<b>PNP</b>	<b>AC</b>

-	KIB-M08NS/ 1.5-KL2	-
-	<b>650.2301.003</b>	-
-	263/4	-

●/-	●/-	-
-----	-----	---

-	KIB-M08NÖ/ 1.5-KL2	-
-	<b>650.2101.001</b>	-
-	263/5	-

●/-	●/-	-
-----	-----	---

-	-	-
---	---	---

-	-	-
---	---	---

-	-	-
---	---	---

-	-	-
---	---	---

-	-	-
---	---	---

-	-	-
---	---	---

-	-	-
---	---	---

-	-	-
---	---	---

-	-	-
---	---	---

-	-	-
---	---	---

-	-	-
---	---	---

-	-	-
---	---	---

-	-	-
---	---	---

-	-	-
---	---	---

-	-	-
---	---	---

-	-	-
---	---	---

-	-	-
---	---	---

-	-	-
---	---	---

-	-	-
---	---	---

-	-	-
---	---	---

-	-	-
---	---	---

-	-	-
---	---	---

-	-	-
---	---	---

-	-	-
---	---	---

-	-	-
---	---	---

-	-	-
---	---	---

**M 8 x 1****1.5 mm (0.06")**

●/-	●/-	-
<b>NPN</b>	<b>PNP</b>	<b>AC</b>

-	KIB-M08NS/ 1.5-KLSM8	-
-	<b>650.2342.003</b>	-
-	263/4	-

-/●	●/-	-
-----	-----	---

-	KIB-M08PÖ/ 1.5-KLSM8	-
-	<b>650.2742.001</b>	-
-	263/2	-

●/-	●/-	-
-----	-----	---

-	-	-
---	---	---

-	-	-
---	---	---

-	-	-
---	---	---

-	-	-
---	---	---

-	-	-
---	---	---

-	-	-
---	---	---

-	-	-
---	---	---

-	-	-
---	---	---

-	-	-
---	---	---

-	-	-
---	---	---

-	-	-
---	---	---

-	-	-
---	---	---

-	-	-
---	---	---

-	-	-
---	---	---

-	-	-
---	---	---

-	-	-
---	---	---

-	-	-
---	---	---

-	-	-
---	---	---

-	-	-
---	---	---

-	-	-
---	---	---

-	-	-
---	---	---

-	-	-
---	---	---

-	-	-
---	---	---

-	-	-
---	---	---

-	-	-
---	---	---

-	-	-
---	---	---

