

# Inductive sensors

M 18 x 1



Rated operating distance	
Mounting	flush  /non-flush
Switching functions	
	Model description
Normally-open (NO)	Part number
	Wiring diagram (page/pos.)
Stock status: Ex stock/Built to order	
	Model description
Normally-closed (NC)	Part number
	Wiring diagram (page/pos.)
Stock status: Ex stock/Built to order	
	Model description
Normally-closed/open (NC/NO) selectable	Part number
	Wiring diagram (page/pos.)
Stock status: Ex stock/Built to order	
	Model description
Complementary	Part number
	Wiring diagram (page/pos.)
Stock status: Ex stock/Built to order	
Electrical data	
Voltage range	
Output current	min./max.
Switching frequency	max.
Short-circuit protection	
LED: yellow = switched / green = power	
Sensitivity adjustment	
Mechanical data	
Temperature range	min./max.
Protection type	
Housing material	
Termination	cable 2 m/6.5 ft mm <sup>2</sup>
	plug (page)
Accessories	(page/Pos.)

## M 18 x 1

5 mm (0.20")

●/-	●/-	●/-
NPN	PNP	AC
KIB-M18NS/ 005-KL2	KIB-M18PS/ 005-KL2	KIB-M18AS/ 005-L2
<b>650.2305.134</b>	<b>650.2905.850</b>	<b>650.3505.004</b>
263/4	263/1	265/4
-/●	●/-	●/-
-	KIB-M18PÖ/ 005-KL3	KIB-M18AÖ/ 005-L2
	<b>650.2705.172</b>	<b>650.3405.001</b>
	263/2	265/5
	-/●	-/●
-	-	-
-	KIB-M18PU/ 005-KL2	-
	<b>650.2805.001</b>	
	264/4	
	-/●	

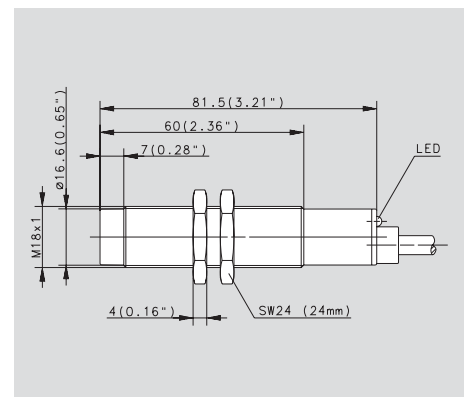
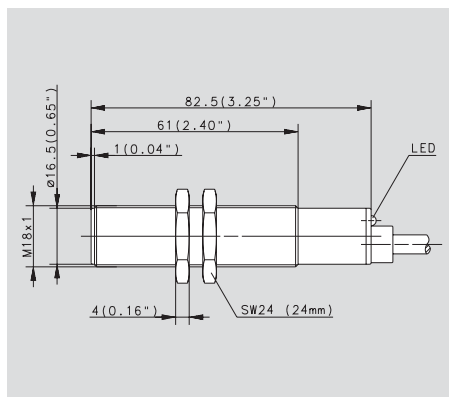
## M 18 x 1

8 mm (0.32")

-/●	-/●	-/●
NPN	PNP	AC
KIN-M18NS/ 008-KL2	KIN-M18PS/ 008-KL2	KIN-M18AS/ 008-L2
<b>650.2306.194</b>	<b>650.2906.200</b>	<b>650.3506.002</b>
263/4	263/1	265/4
-/●	●/-	●/-
-	KIN-M18NÖ/ 008-KL2	KIN-M18PÖ/ 008-KL2
	<b>650.2106.191</b>	<b>650.2706.001</b>
	263/5	263/2
	-/●	-/●
-	-	-
-	KIN-M18PU/ 008-KL2	-
	<b>650.2806.001</b>	
	264/4	
	-/●	

## Dimension diagrams

All dimensions in mm (inch)





**M 18 x 1**  
5 mm (0.20")

	●/-	-
NPN	PNP	AC
-	KIB-M18PS/ 005-KL2V <b>650.2905.008</b> 263/1	-
-	●/-	-
-	KIB-M18PÖ/ 005-KL2V <b>650.2705.006</b> 263/2	-
-	-/●	-
-	-	-

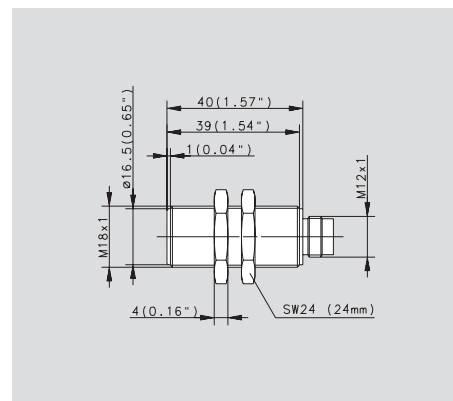
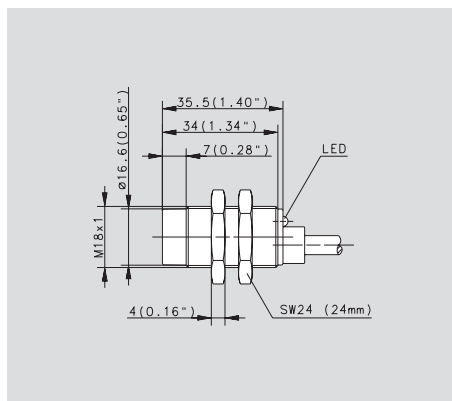
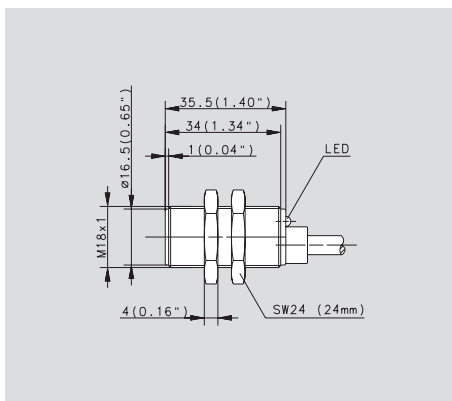
**M 18 x 1**  
8 mm (0.32")

-/●	-/●	-
NPN	PNP	AC
KIN-M18NS/ 008-KL2V <b>650.2306.004</b> 263/4	KIN-M18PS/ 008-KL2V <b>650.2906.006</b> 263/1	-
-	●/-	-
-	KIN-M18PÖ/ 008-KL2V <b>650.2706.002</b> 263/2	-
-	-/●	-
-	-	-

**M 18 x 1**  
5 mm (0.20")

	●/-	-
NPN	PNP	AC
-	KIB-M18PS/ 005-KS12V <b>650.2905.012</b> 263/1	-
-	●/-	-
-	KIB-M18PÖ/ 005-KS12V <b>650.2705.007</b> 263/2	-
-	-/●	-
-	-	-

-	10-60 V	-	10-60 V	10-60 V	-	-	10-60 V	-
-	-200 mA	-	-200 mA	-200 mA	-	-	-200 mA	-
-	500 Hz	-	200 Hz	200 Hz	-	-	500 Hz	-
-	●	-	●	●	-	-	●	-
-	●/-	-	●/-	●/-	-	-	-	-
-	-	-	-	-	-	-	-	-
-	-25 °C/+70 °C	-	-25 °C/+70 °C	-25 °C/+70 °C	-	-	-25 °C/+70 °C	-
-	-13 °F/+158 °F	-	-13 °F/+158 °F	-13 °F/+158 °F	-	-	-13 °F/+158 °F	-
-	IP 67/NEMA 4	-	IP 67/NEMA 4	IP 67/NEMA 4	-	-	IP 67/NEMA 4	-
-	CuZn39Pb3	-	CuZn39Pb3	CuZn39Pb3	-	-	CuZn39Pb3	-
-	PVC 3x0.5	-	PVC 3x0.5	PVC 3x0.5	-	-	-	-
-	-	-	-	-	-	-	284/285/286	-
-	266/6	-	266/6	266/6	-	-	266/6	-





**M 30 x 1.5****10 mm (0.39")**

●/-	●/-	●/-
<b>NPN</b>	<b>PNP</b>	<b>AC</b>

KIB-M30NS/ 010-KL2 <b>650.2307.135</b> 263/4	KIB-M30PS/ 010-KL2 <b>650.2907.068</b> 263/1	KIB-M30AS/ 010-L2 <b>650.3507.378</b> 265/4
---	---	--

-/●	●/-	●/-
-	-	KIB-M30AÖ/ 010-L2 <b>650.3407.240</b> 265/5

-	-	-
-	-	-

KIB-M30NU/ 010-KL2 <b>650.2207.001</b> 264/5	-	-
-/●	-	-

10-60 V	10-60 V	20-250 V
-/200 mA	-/200 mA	4/400 mA
300 Hz	300 Hz	10 Hz
●	●	-
●/-	●/-	●/-
-	-	-

-25 °C/+70 °C	-25 °C/+70 °C	-25 °C/+70 °C
-13 °F/+158 °F	-13 °F/+158 °F	-13 °F/+158 °F
IP 67/NEMA 4	IP 67/NEMA 4	IP 67/NEMA 4
CuZn39Pb3	CuZn39Pb3	CuZn39Pb3
PVC 3x0.5/4x0.5	PVC 3x0.5/4x0.5	PVC 2x0.5
-	-	-
266/8	266/8	266/8

**M 30 x 1.5****15 mm (0.59")**

-/●	-/●	-/●
<b>NPN</b>	<b>PNP</b>	<b>AC</b>

KIN-M30NS/ 015-KL2 <b>650.2308.001</b> 263/4	KIN-M30PS/ 015-KL2 <b>650.2908.002</b> 263/1	KIN-M30AS/ 015-L2.5 <b>650.3508.246</b> 265/4
---	---	--

-/●	●/-	-/●
-	-	-

-	-	-
-	-	-

-	KIN-M30PU/ 015-KL2 <b>650.2808.001</b> 264/4	-
-/●	-/●	-

10-60 V	10-60 V	20-250 V
-/200 mA	-/200 mA	4/400 mA
100 Hz	100 Hz	10 Hz
●	●	-
●/-	●/-	●/-
-	-	-

-25 °C/+70 °C	-25 °C/+70 °C	-25 °C/+70 °C
-13 °F/+158 °F	-13 °F/+158 °F	-13 °F/+158 °F
IP 67/NEMA 4	IP 67/NEMA 4	IP 67/NEMA 4
CuZn39Pb3	CuZn39Pb3	CuZn39Pb3
PVC 3x0.5/4x0.5	PVC 3x0.5/4x0.5	PVC 2x0.5
-	-	-
266/8	266/8	266/8

**M 30 x 1.5****10 mm (0.39")**

-	●/-	-
<b>NPN</b>	<b>PNP</b>	<b>AC</b>

-	KIB-M30PS/ 010-KLS12 <b>650.2939.004</b> 263/1	-
-	-	-

-	●/-	-
-	-	-

-	-	-
-	-	-

-	-	-
-	-	-

-	10-60 V	-
-	-/200 mA	-
-	300 Hz	-
-	●	-
-	●/-	-
-	-	-

-	-25 °C/+70 °C	-
-	-13 °F/+158 °F	-
-	IP 67/NEMA 4	-
-	CuZn39Pb3	-
-	-	-
-	284/285/286	-
-	266/8	-

