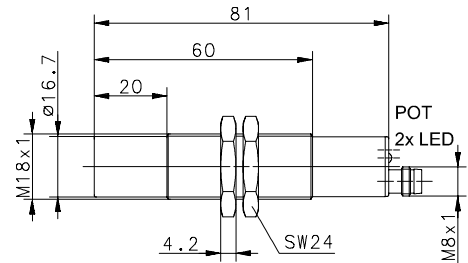
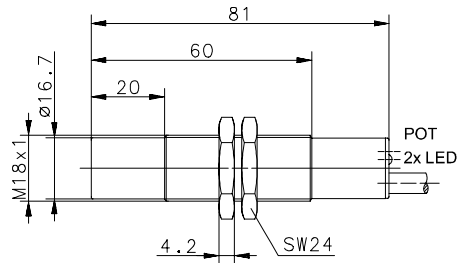


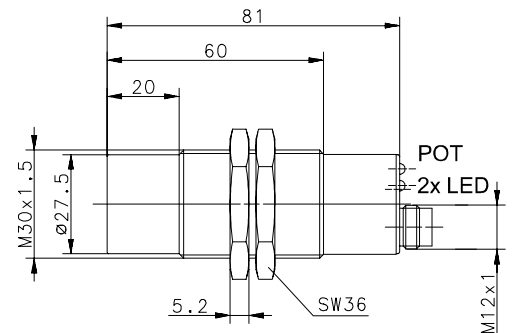
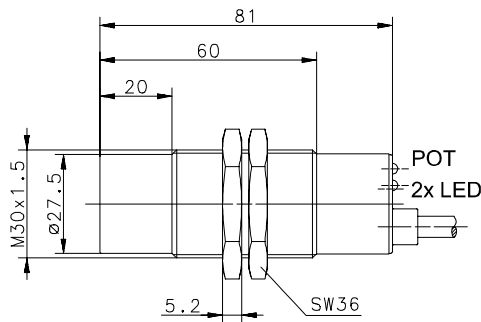
# Technical Data

## Capacitive Proximity Switch

### Series M18, M30, Ø20 and Ø34 non flush - DC



Mounting non flush	Type M18x1 Enclosure: plastic			
	2m cable		M8 male plug	
S <sub>n</sub>	8mm			
S <sub>r</sub>	1-8mm			
Output	N.O.	N.C.	N.O.	N.C.
NPN	6507321723	6507121722	6507321002	6507121002
PNP	6507921724	6507721001	6507921002	6507721002



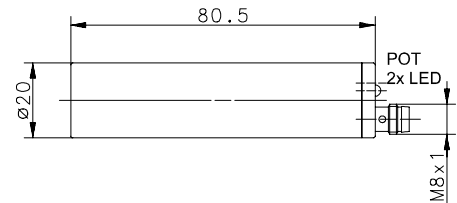
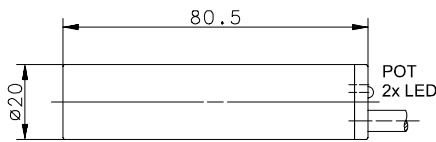
Mounting non flush	Type M30x1,5 Enclosure: plastic			
	2m cable		M12 male plug	
S <sub>n</sub>	20mm			
S <sub>r</sub>	5-20mm			
Output	N.O.	N.C.	N.O.	N.C.
NPN	6507323001	6507123001	6507323004	6507123004
PNP	6507923727	6507723001	6507923004	6507723004

This document will not become the contractual basis; the details included herein do not constitute any descriptions of expected conditions, so that warranties/claims for defects on account of possible variations of the actual qualities from the qualities described herein are explicitly excluded. All rights reserved. Specifications subject to change without notice!

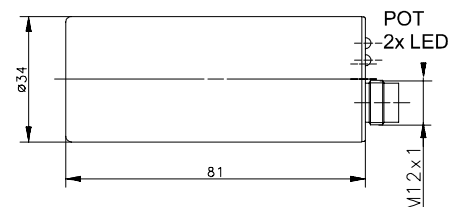
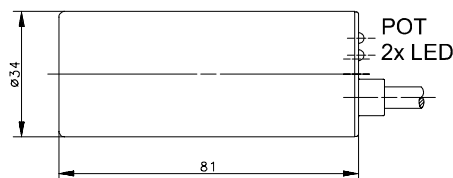
Date of issue: 03.05.2005 / Page 1 of 4  
 Document : 7100010\_en / Last update : 3 / 0308-05

# Technical Data

## Capacitive Proximity Switch



Mounting non flush	Series Ø20 Enclosure: plastic			
	2m cable		M8 male plug	
S <sub>n</sub>	15mm			
S <sub>r</sub>	3,5-15mm			
Output	N.O.	N.C.	N.O.	N.C.
NPN	6507310002	6507110001	6507310004	
PNP	6507910001	6507710001	6507910004	6507710004



Mounting non flush	Series Ø34 Enclosure: plastic			
	2m cable		M12 male plug	
S <sub>n</sub>	30mm			
S <sub>r</sub>	6-30mm			
Output	N.O.	N.C.	N.O.	N.C.
NPN	6507315001	6507115001	6507315004	6507115004
PNP	6507915001	6507715154	6507915004	6507715004

This document will not become the contractual basis; the details included herein do not constitute any descriptions of expected conditions, so that warranties/claims for defects on account of possible variations of the actual qualities from the qualities described herein are explicitly excluded. All rights reserved. Specifications subject to change without notice!

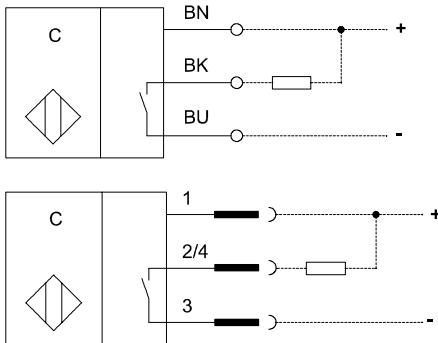
Date of issue: 03.05.2005 / Page 2 of 4  
 Document : 7100010\_en / Last update : 3 / 0308-05

# Technical Data

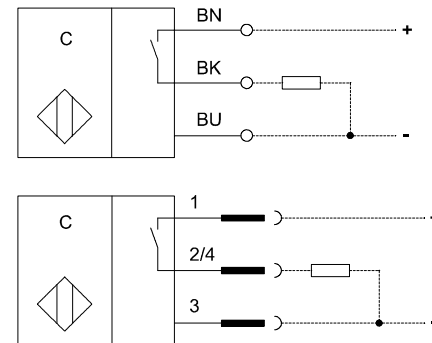
## Capacitive Proximity Switch

### Wiring diagrams NPN and PNP normally open / N.O.

NPN - Proximity Switch

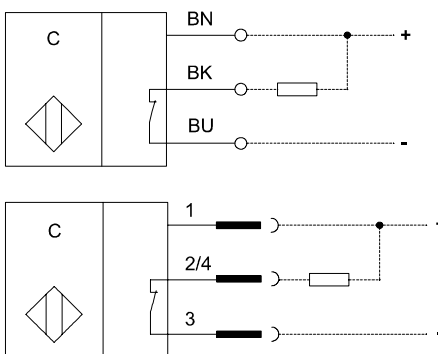


PNP - Proximity Switch

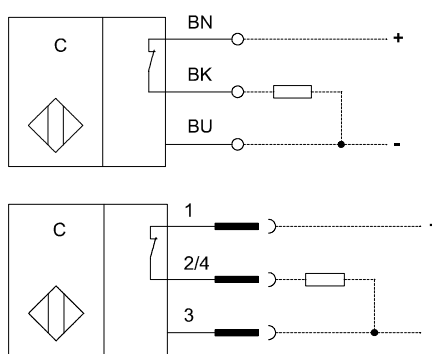


### Wiring diagrams NPN and PNP normally closed / N.C.

NPN - Proximity Switch

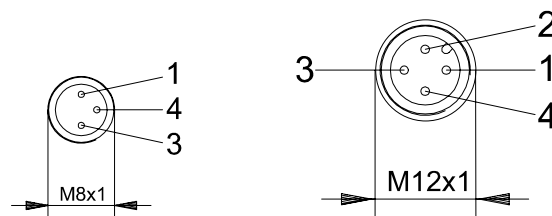


PNP - Proximity Switch



### Male plug M8x1 / M12x1 and corresponding colours

pin number	colour	code
1	brown	BN
2	-	-
3	blue	BU
4	black	BK



This document will not become the contractual basis; the details included herein do not constitute any descriptions of expected conditions, so that warranties/claims for defects on account of possible variations of the actual qualities from the qualities described herein are explicitly excluded. All rights reserved. Specifications subject to change without notice!