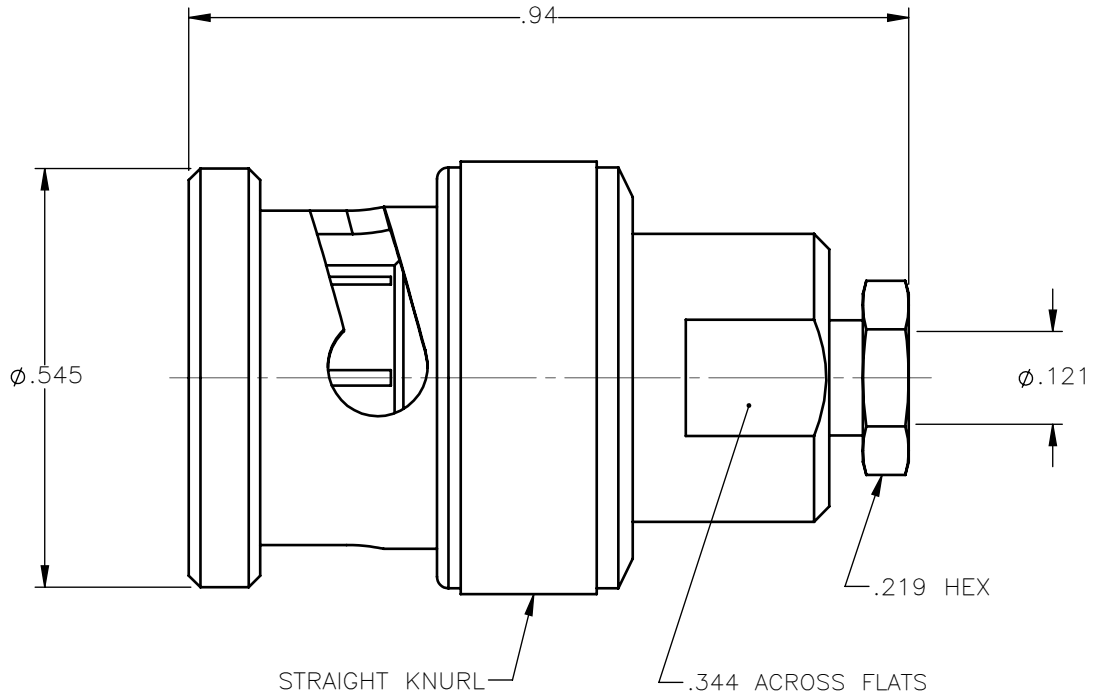


REVISIONS			
REV.	DESCRIPTION	DATE	APPROVED
A	INITIAL RELEASE	02/16/15	N.D.





NOTES:

MATERIALS:

1. INSULATORS = VIRGIN WHITE TEFLON PER ASTM D1710, GRADE 1, TYPE I, CLASS "B".
2. GASKET = SILICONE RUBBER PER ZZ-R-765, CLASS 2B, GRADE 65-75.
3. SPRING WASHERS = BERYLLIUM COPPER PER ASTM B196, ALLOY C17300, TEMPER TD04.
4. ALL OTHER METAL PARTS = BRASS PER ASTM B16, ALLOY C36000, TEMPER H02.

FINISHES:

1. CONTACT = GOLD PLATE PER ASTM B488-01, TYPE II, 50µin MIN, GRADE C, OVER 100 TO 200µin STRESS FREE SULFAMATE NICKEL PER QQ-N-290.
2. ALL OTHER METAL PARTS = GOLD PLATE PER ASTM B488-01, TYPE II, 30µin MIN, GRADE C OVER 100 TO 200µin COPPER STRIKE PER MIL-C-14550.

UNLESS OTHERWISE SPECIFIED DIMENSIONS ARE IN INCHES TOLERANCES ON	DWN:	DATE	 Property of Radiall This document cannot be reproduced or communicated to a third party without prior written permission of RADIALL.	
	N.D.	02/16/15		
DECIMAL	ANGLE	CHKD:	DATE	<b>BNC STRAIGHT PLUG          COMPRESSION TYPE          FOR RG-316 &amp; SIMILAR CABLES</b>
		D.N.	02/16/15	
		APVD:	DATE	
		J.M.	02/16/15	SIZE: A    FSCM NO.: 19505    DWG NO.: 6500-1051-003    REV: A
REFERENCE:	MATERIALS AND FINISHES:	SEE NOTES		SCALE: 4:1    THIRD ANGLE PROJECTION
ORIGINATED: N.D. DATE: 02/16/15				SHEET 1 OF 1

6500-1051-003