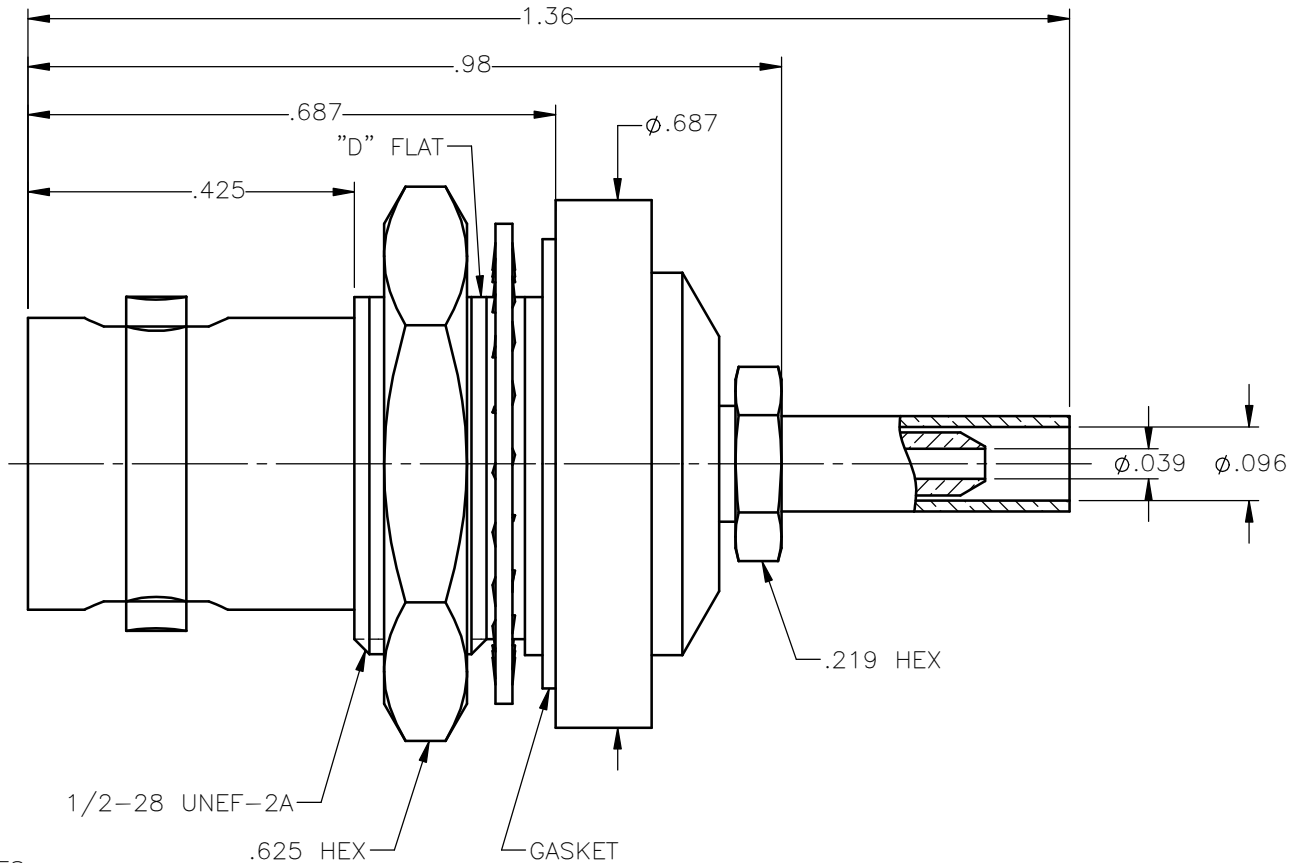


REVISIONS			
REV.	DESCRIPTION	DATE	APPROVED
A	INITIAL RELEASE	09/18/14	D.N.





NOTES:

MATERIALS:

- CONTACT = BERYLLIUM COPPER PER ASTM B196, ALLOY C17300, TEMPER TD04.
- INSULATORS = VIRGIN WHITE TEFLON PER ASTM D1710, GRADE 1, TYPE I, CLASS "B".
- LOCKWASHER = PHOSPHOR BRONZE PER ASTM B139, COPPER ALLOY C53400, TEMPER H04.
- GASKET = SILICONE RUBBER 45-55 DUROMETER, DOW CORNING SILASTIC 250
- CRIMP SLEEVE = SEAMLESS LOWLEAD BRASS TUBE, ALLOY 330, SOFT ANNEAL TEMPER, .025/.060 GRAIN SIZE OR SEAMLESS COPPER TUBE PER ASTM B75, TYPE C12000, TEMPER: LIGHT ANNEAL O50 EXCEPT YIELD STRENGTH.
- ALL OTHER METAL PARTS = BRASS PER ASTM B16, ALLOY C36000, TEMPER H02.

FINISHES:

- CONTACT & WIRE ADAPTER = GOLD PLATE PER ASTM B488-01, TYPE II, 50µin MIN, GRADE C, OVER 100 TO 200µin STRESS FREE SULFAMATE NICKEL PER QQ-N-290.
- ALL OTHER METAL PARTS = NICKEL PLATE PER QQ-N-290, 50µin MIN, GRADE G, EXCEPT 100 TO 200µin THICK OVER 50 TO 100µin THICK COPPER PER MIL-C-14550.

UNLESS OTHERWISE SPECIFIED DIMENSIONS ARE IN INCHES TOLERANCES ON	DWN:	DATE	 Property of Radiall This document cannot be reproduced or communicated to a third party without prior written permission of RADIALL.	
	D.N.	09/18/14		
	CHKD:	DATE		
DECIMAL	ANGLE	J.S.	09/18/14	BNC STRAIGHT JACK BULKHEAD REAR MOUNT CRIMP TYPE FOR RG-178 & SIMILAR CABLES
		APVD:	DATE	
		J.M.	09/18/14	SIZE A FSCM NO. 19505 DWG NO. 6501-7071-002 REV A SCALE 4:1 THIRD ANGLE PROJECTION SHEET 1 OF 1
REFERENCE:	MATERIALS & FINISHES:		SEE NOTES	
ORIGINATED: D.N. DATE: 09/18/14				

6501-7071-002