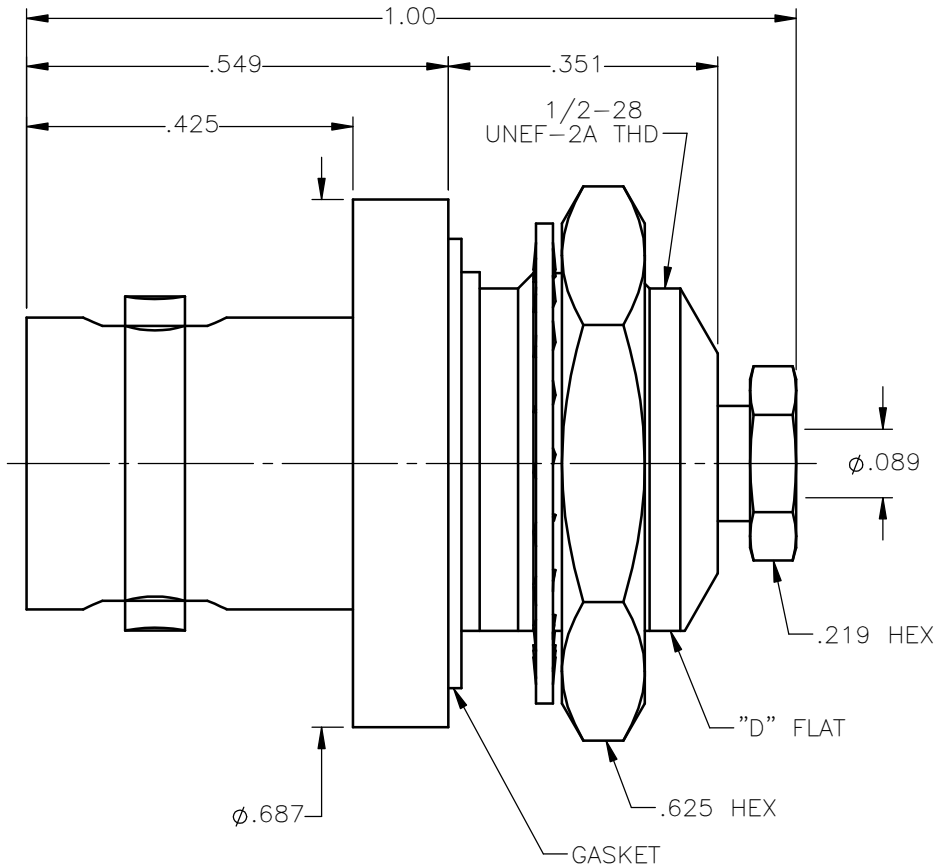
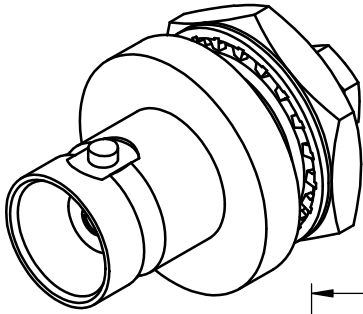


REVISIONS

REV.	DESCRIPTION	DATE	APPROVED
A	INITIAL RELEASE	11/05/13	D.N.



NOTES:

MATERIALS:

1. CONTACT & FERRULE = BERYLLIUM COPPER PER ASTM B196, ALLOY C17300, TEMPER TD04.
2. INSULATORS = VIRGIN WHITE TEFLON PER ASTM D1710, GRADE 1, TYPE I, CLASS "B".
3. GASKET = SILICONE RUBBER 45-55 DUROMETER, DOW CORNING SILASTIC 250.
4. LOCKWASHER = PHOSPHOR BRONZE PER ASTM B139, COPPER ALLOY C53400, TEMPER H04.
5. ALL OTHER METAL PARTS = BRASS PER ASTM B16, ALLOY C36000, TEMPER H02.

FINISHES:

1. CONTACT & WIRE ADAPTOR = GOLD PLATE PER MIL-G-45204, TYPE II, CLASS 1, GRADE C, OVER .00010 TO .00020 STRESS FREE SULFAMATE NICKEL PER QQ-N-290.
2. ALL OTHER METAL PARTS = NICKEL PLATE PER QQ-N-290, CLASS 1, GRADE G, EXCEPT .0001 TO .0002 THICK OVER .00005 TO .0001 THICK COPPER PER MIL-C-14550.

UNLESS OTHERWISE SPECIFIED
DIMENSIONS ARE IN INCHES
TOLERANCES ON

DWN:	DATE
D.N.	11/05/13
CHKD:	DATE
J.S.	11/05/13
APVD:	DATE
J.M.	11/05/13



a RADIALL company

Property of Radiall

This document cannot be reproduced or
communicated to a third party without prior
written permission of RADIALL.



BNC STRAIGHT BULKHEAD JACK
FRONT MOUNT, CLAMP TYPE
FOR RG-178 & SIMILAR CABLES

REFERENCE:

ORIGINATED: D.N.
DATE: 11/05/13

MATERIALS & FINISHES:
SEE NOTES

SIZE	FSCM NO.	DWG NO.	REV
A	19505	6502-7051-002	A
SCALE	THIRD ANGLE PROJECTION		SHEET 1 OF 1
4:1			

6502-7051-002