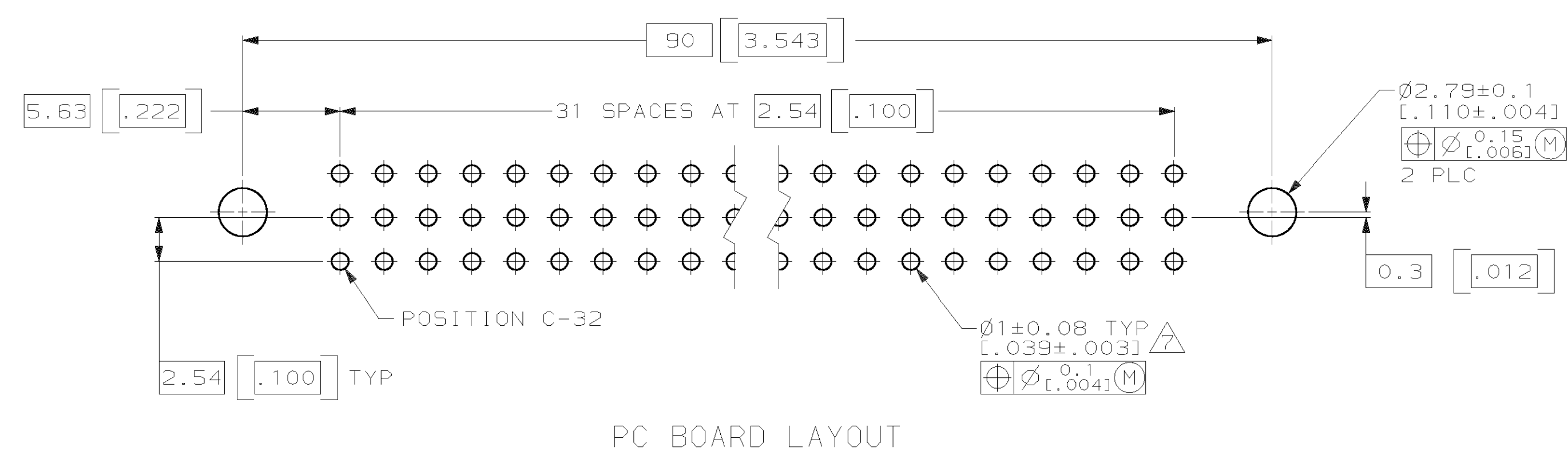
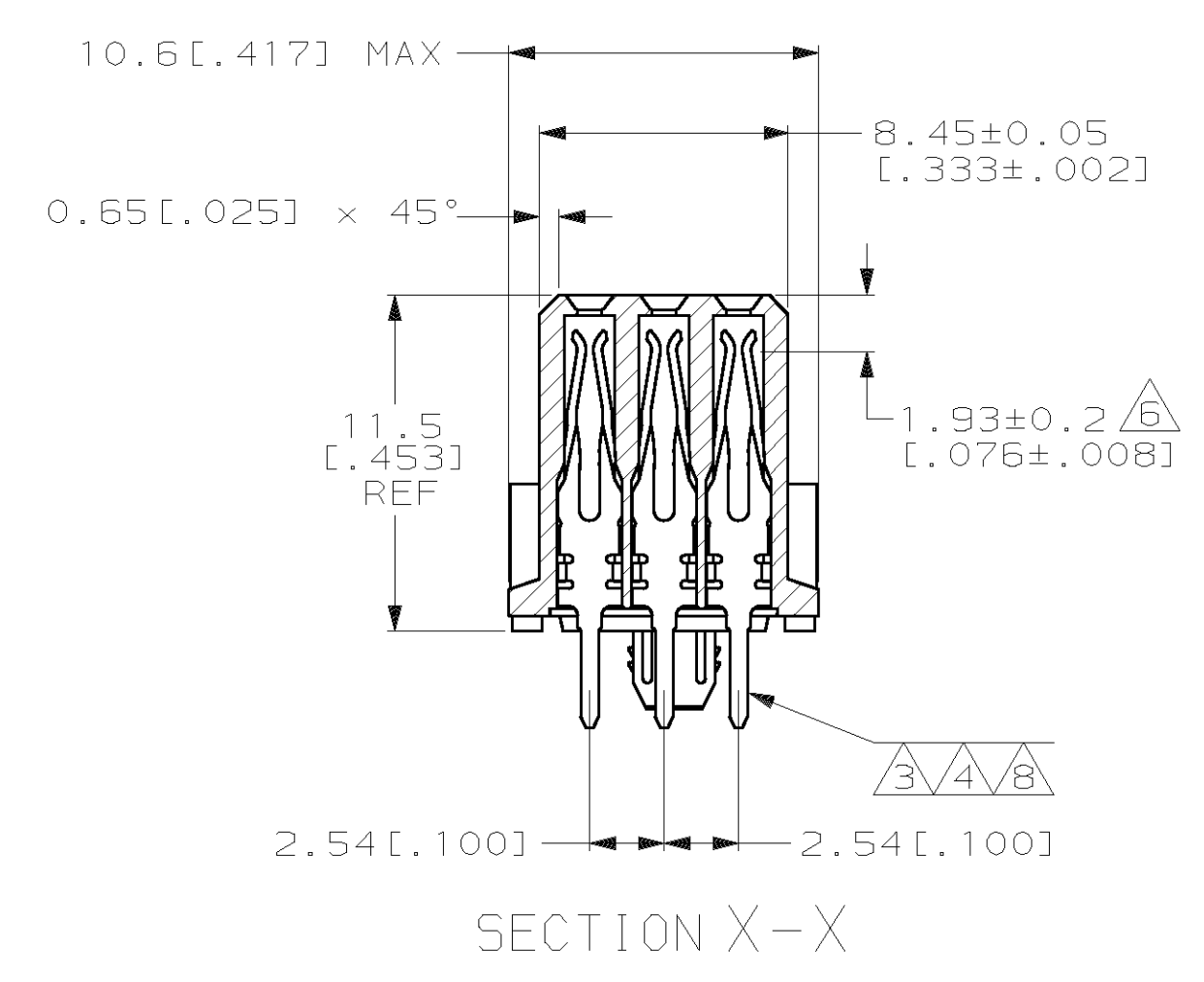
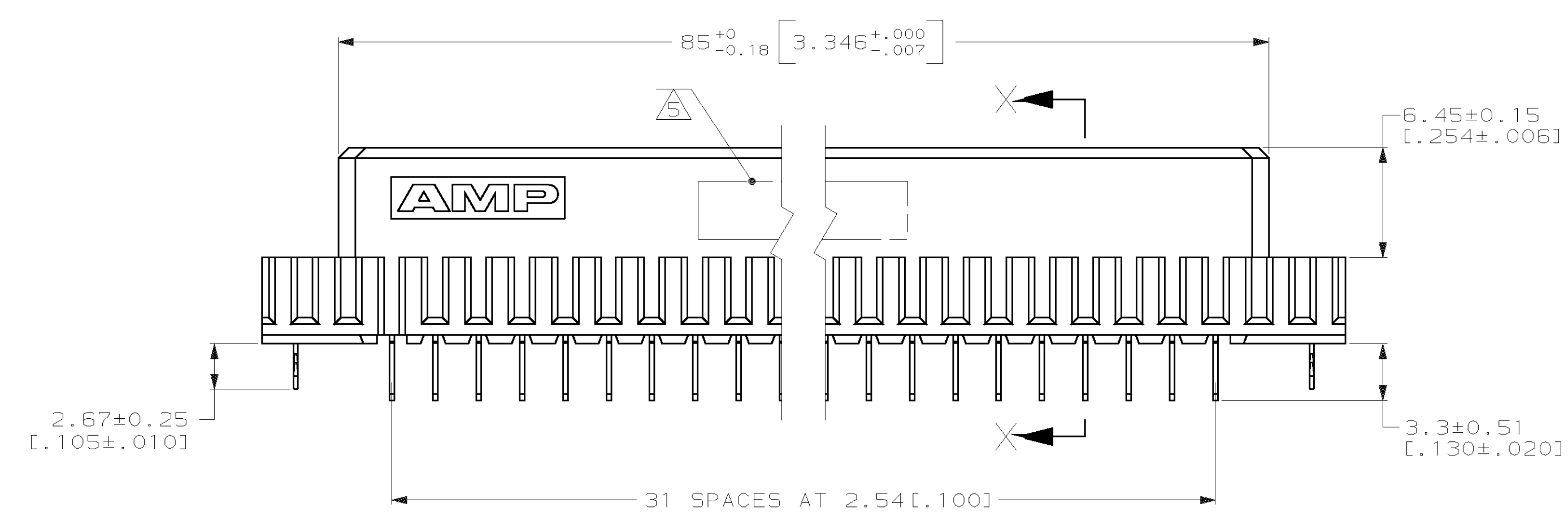
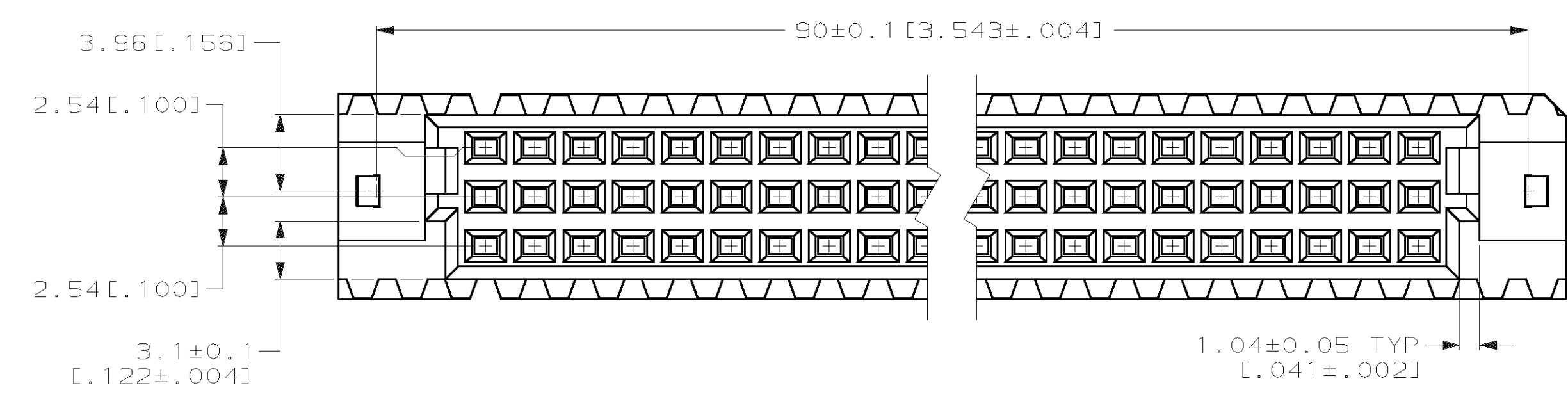


| LOC | | DIST | | P | | F | | ZONE | | LTR | | REVISIONS | | |
|-----|----|------|--|---|--|---|--|------|--|-----|--|---------------------------|-----------|------|
| AD | 25 | | | | | | | | | | | DESCRIPTION | DATE | APPD |
| | | | | | | | | | | | | H EC 0504-0087-96 | 11/18/96 | CR |
| | | | | | | | | | | | | J REV PER EC 001B-0367-00 | 09 JAN 01 | CR |



- △ HOUSING MATERIAL: GLASS-FILLED POLYESTER. COLOR: GRAY.
- △ CONTACT MATERIAL: PHOSPHOR BRONZE.
- △ CONTACT FINISH: DIN 41612 CLASS 2 IN CONTACT AREA. TIN-LEAD PLATE ON POSTS.
- △ CONTACT FINISH: DIN 41612 CLASS 3 IN CONTACT AREA. TIN-LEAD PLATE ON POSTS.
- △ PART NUMBER, DATE CODE IDENTIFICATION, CSA LOGO IN THIS APPROXIMATE AREA.
- △ CONTACT POINT.
- △ RECOMMENDED HOLE SIZE FOR MANUAL APPLICATION OF CONNECTOR ONTO PC BOARD.
- △ CONTACT FINISH: 0.00076 [1.000030] GOLD IN CONTACT AREA. 0.00127 [1.000050] NICKEL UNDERPLATE ALL OVER. TIN-LEAD PLATE ON POSTS.

| SUPERSEDED BY 650963-5 | | △4 | 1-32 | X | X | X | 96 | 650963-9 |
|------------------------|------------------|-------|------|---|------------------------|------------------|----|----------|
| | | △3 | 1-32 | X | X | X | 96 | 650963-5 |
| | | △B | 1-32 | X | X | X | 96 | 650963-4 |
| NOTES | POSITIONS LOADED | C B A | | | NO. OF LOADED POSITION | ASSY PART NUMBER | | |

| | | | |
|---|---|---|-------------------|
| DO NOT SCALE PRINT. UNLESS SPECIFIED DIMENSIONS IN mm [INCHES] TOLERANCES ON: 1 PLC DEC ± - 2 PLC DEC ± 0.13 [1.005] ANGLES ± - | DR L. BRINER 2/22/91 CHK N. DRASHER 2/25/91 APPD N. DRASHER 2/25/91 APPD K.R. PARMER 2/25/91 PRODUCT SPEC - | AMP INCORPORATED Harrisburg, Pa. 17105 | |
| MATERIAL HSG △ CONTACT △ | FINISH CONT △△△ | APPLICATION SPEC - | WEIGHT - |
| NAME RECEPTACLE ASSEMBLY, EUROCARD, TYPE C WITH BOARD LOCKS, 96 POSITION | SIZE D | FSCM NO 00779 | DRAWING NO 650963 |
| | SCALE 4:1 | SHEET 1 OF 1 | |