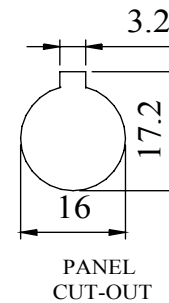
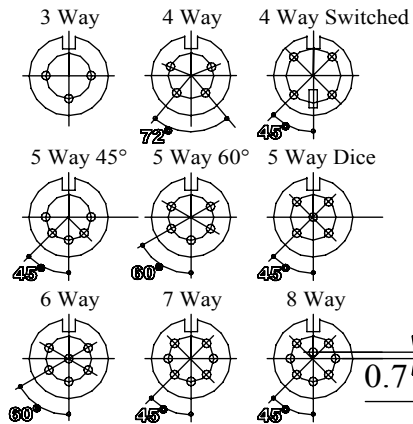
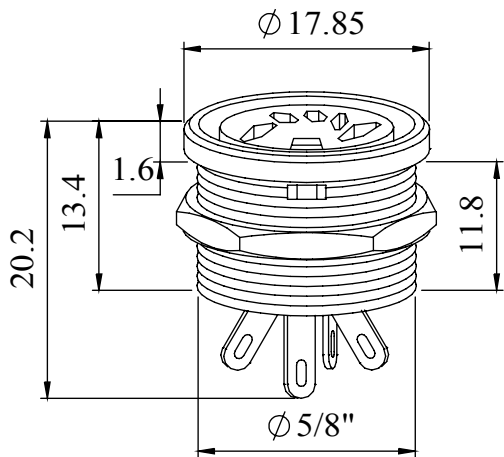


A range of professional chassis mounting sockets, designed for panel mounting via a single hexagonal turned brass nut. These sockets incorporate an anti-rotational locating spigot, and mate with all standard lockable plugs.

| Materials | |
|-----------------------|--------------------------|
| Housing | Brass |
| | Sprayed With Black Paint |
| Moulding | Lexan 500R |
| Contacts | Brass Silver Plated |
| Nut | Brass Nickel Plated |
| Electrical | |
| Rated Voltage | 34 V a.c. or d.c. |
| Current Rating | 2.A |
| Test Voltage | 500 V r.m.s. |
| Insulation Resistance | 103 MΩ min at 100 V d.c |
| Contact Resistance | 10 mΩ max |
| Capacitance (mated) | 3pF |
| Climatic | |
| Climatic category | 25/070/21 |
| Temperature Range | -25°C to +70°C |

Dimensions



| Type | Deltron No |
|----------------|------------|
| 3 Way | 651-0300 |
| 4 Way | 651-0400 |
| 4 Way Switched | 651-0410 |
| 5 Way 45° | 651-0500 |
| 5 Way 60° | 651-0510 |
| 5 Way Dice | 651-0520 |
| 6 Way | 651-0600 |
| 7 Way | 651-0700 |
| 8 Way | 651-0800 |

RoHS
2002/95/EC
Compliant

UNF THREADED

Tel No. +44(0)1724 273200 Website www.dem-uk.com

PROPRIETARY AND CONFIDENTIAL
THE INFORMATION CONTAINED IN THIS DRAWING IS THE SOLE PROPERTY OF ALPHA 3 MANUFACTURING.
ANY REPRODUCTION IN PART OR AS A WHOLE WITHOUT THE WRITTEN PERMISSION OF ALPHA 3 MANUFACTURING IS PROHIBITED.

UNLESS OTHERWISE SPECIFIED:
DIMENSIONS ARE IN MILLIMETRES
LINEAR TOLERANCE:
NO DECIMAL PLACES ±0.5mm
1 DECIMAL PLACE ±0.25mm
2 DECIMAL PLACES ±0.125mm
ANGULAR TOLERANCE: ±1°

FINISH PROFESSIONAL CIRCULAR CHASSIS SOCKET BLACK
DEBURR AND BREAK SHARP EDGES
DRAWN BY SPB
APPROVED BY WC
THIRD ANGLE PROJECTION
IF IN DOUBT ASK DO NOT SCALE DRAWING

MATERIAL SEE NOTE

SCALE 1:1
A4

SHEET 1 OF 1

TITLE GENERAL SPECIFICATION FOR 651 SERIES
DRAWING NO. 651 SERIES
ISSUE **07**
Release



DEM Manufacturing, Deltron Emcon House
Hargreaves Way, Sawcliffe Ind. Park,
Scunthorpe, North Lincolnshire, DN15 8RF, UK