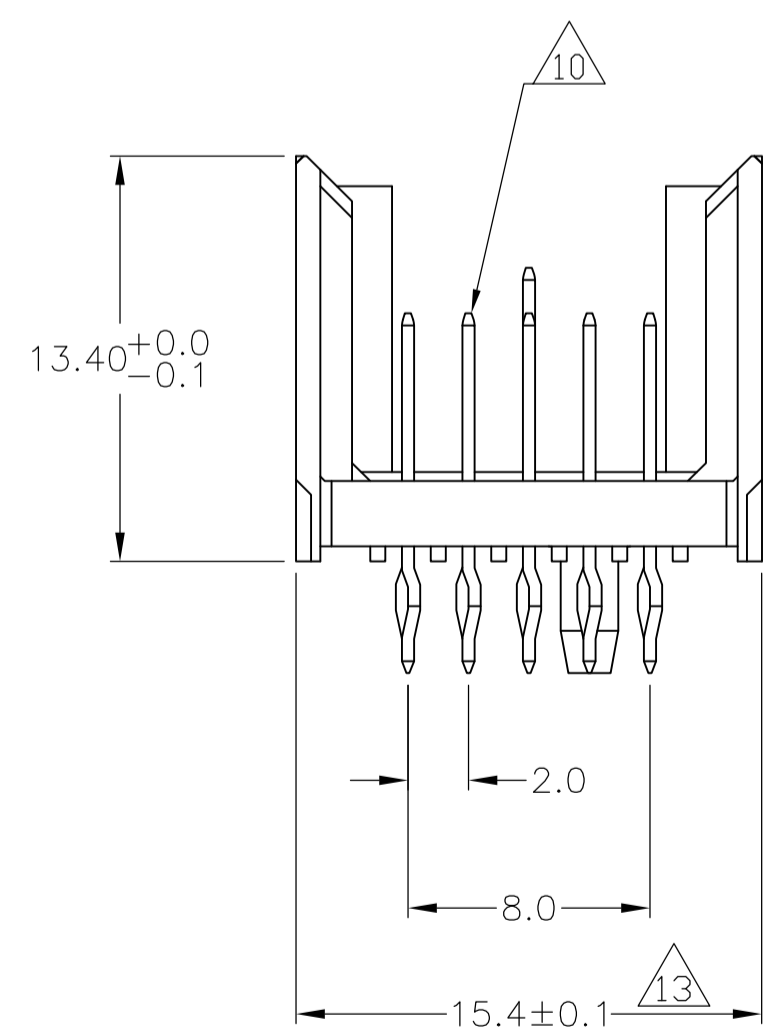
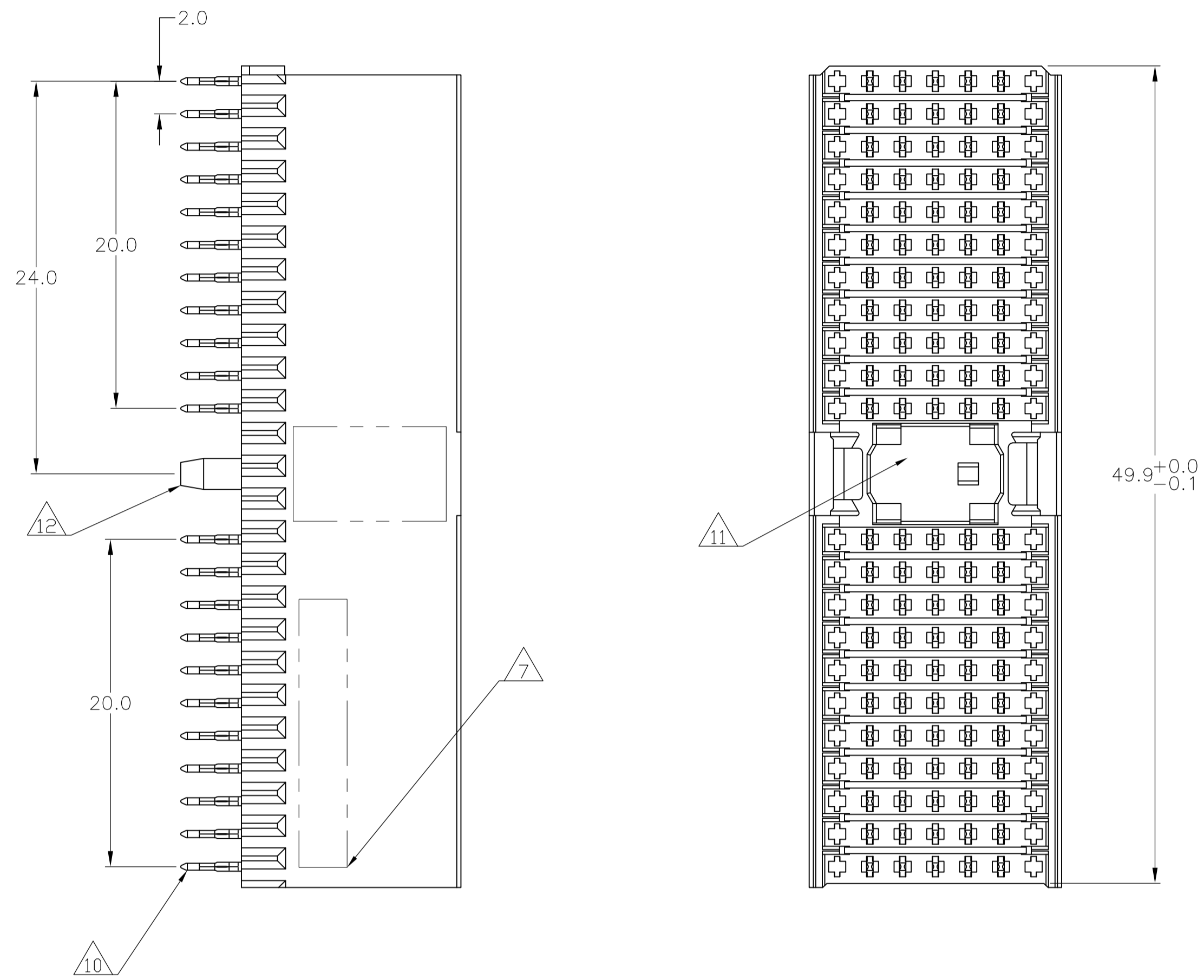
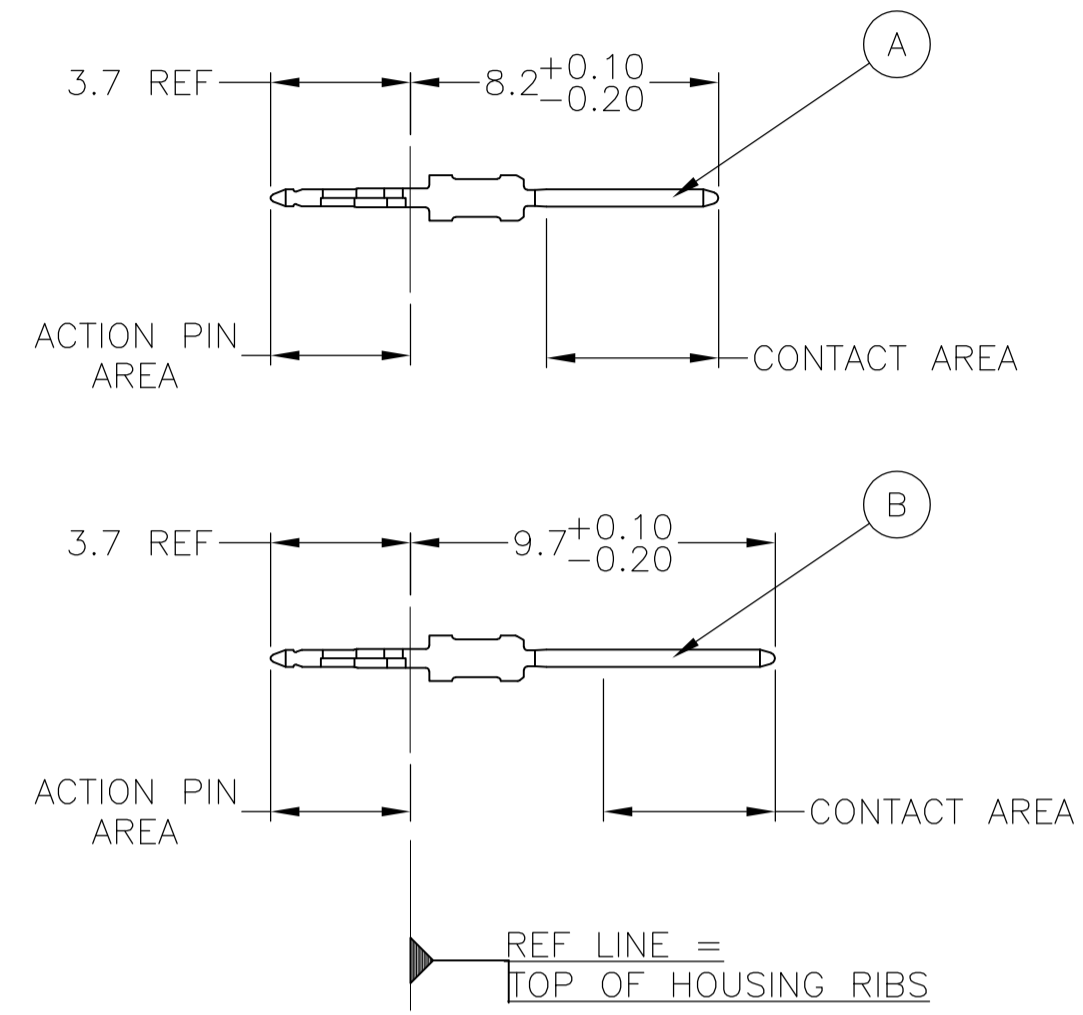


CONNECTOR ASSEMBLY  
EXAMPLARY LOADED  $\triangle 9$



CONTACT DIMENSIONS

SCALE 5:1

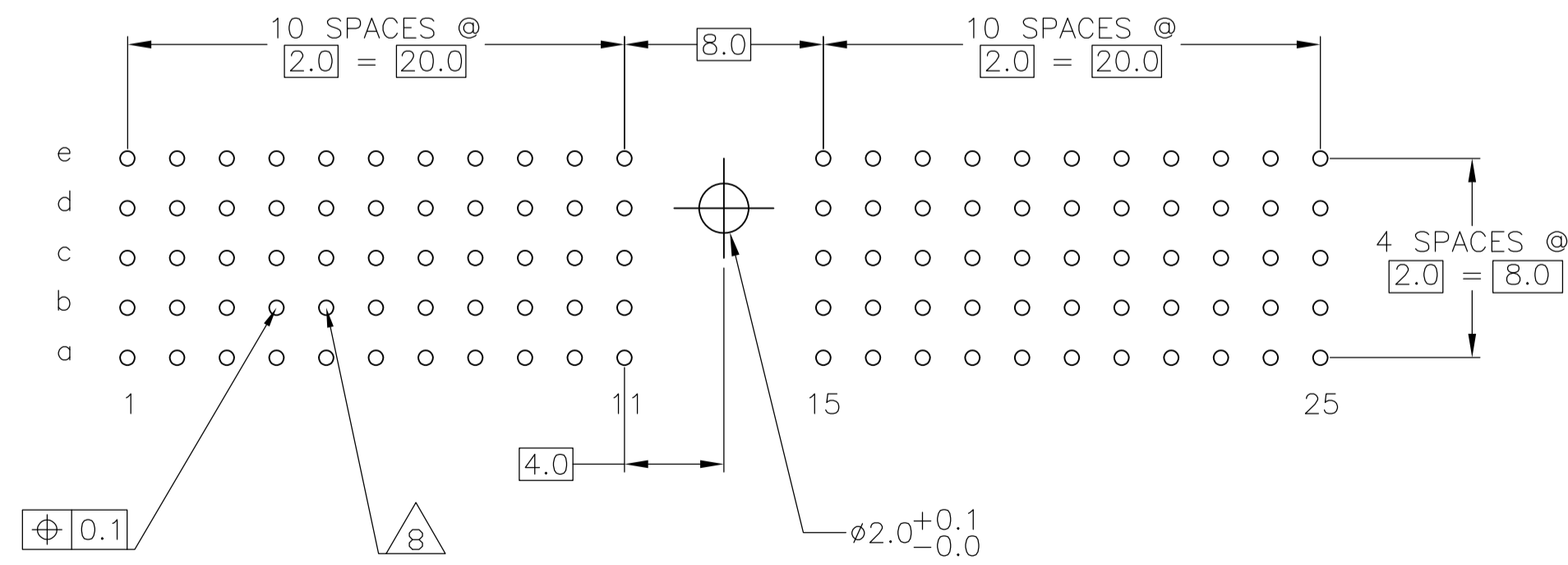


CONTACT LAYOUT

	z	a	b	c	d	e	f
1	A	A	A	A	A		
2	A	A	A	A	A		
3	A	A	A	A	A		
4	A	A	A	A	A		
5	A	A	A	A	A		
6	A	A	A	A	A		
7	A	A	A	A	A		
8	A	A	A	A	A		
9	A	A	A	A	A		
10	A	A	B	A	A		
11	A	A	B	A	A		
MULTI PURPOSE CENTER							
15	A	A	B	A	A		
16	A	A	B	A	A		
17	A	A	A	A	A		
18	A	A	A	A	A		
19	A	A	A	A	A		
20	A	A	A	A	A		
21	A	A	A	A	A		
22	A	A	A	A	A		
23	A	A	A	A	A		
24	A	A	A	A	A		
25	A	A	A	A	A		

RECOMMENDED PCB-HOLE LAYOUT  
COMPONENT SIDE SHOWN

PLATED THRU HOLES PARAMETERS  
REFERENCE APPLICATION SPECIFICATION



$\triangle 2$	$\triangle 5$	$\triangle 14$	6645496-9
FINISH			PART NUMBER

THIS DRAWING IS A CONTROLLED DOCUMENT.		DRN SANDERS, YAN 05JUN2012	STE TE Connectivity	
DIMENSIONS: mm		CHK ALEX SHOAI 05JUN2012	NAME MALE ASSEMBLY, Z-PACK 2mm HM, TYPE A, 110 POSN	
TOLERANCES UNLESS OTHERWISE SPECIFIED:		APVD ALEX CAI 05JUN2012	APPLICATION SPEC 108-19082	
0-PLC ±			SIZE A1	
1-PLC ±0.1			CAGE CODE 00779	
2-PLC ±			DRAWING NO 114-19029	
3-PLC ±			WEIGHT	
4-PLC ±			C=6645496	
ANGLES			CUSTOMER DRAWING	
FINISH SEE TABLE			SCALE 4:1 SHEET 1 OF 2 REV A	

LOC	DIST	REVISIONS			
P	LTR	DESCRIPTION	DATE	DN	APVD
-	-	SEE SHEET 1	-	-	-

- 1 MATERIAL:  
CONTACT: PHOSPHOR BRONZE.  
HOUSING: GLASS-FILLED POLYESTER.
- 2 GENERAL PLATING SPECIFICATION: UNDERPLATING  
(ENTIRE CONTACT): 1.27µm MIN NICKEL AND ACTION  
PIN: 0.5µm MIN TIN.  
FOR PLATING OF MATING SURFACES SEE APPLICABLE  
SPECIFICATION REFERENCE FOR EACH DASH NUMBER.
- 3 CONFORMS TO ALL TESTING ACCORDING TO IEC 61076-4-101  
PERFORMANCE LEVEL 2.
- 4 CONFORMS TO ALL TESTING ACCORDING TO IEC 61076-4-101  
PERFORMANCE LEVEL 1.
- 5 CONNECTOR TESTED AND QUALIFIED AGAINST TELCORDIA GR-1217-CORE QUALITY LEVEL 3,  
CENTRAL OFFICE APPLICATIONS.
- 6 CONNECTOR TESTED AND QUALIFIED AGAINST TELCORDIA GR-1217-CORE QUALITY LEVEL 3,  
UNCONTROLLED ENVIROMENT APPLICATIONS.
- 7 CONNECTOR MARKED WITH PART NUMBER AND DATE CODE.  
ADDITIONAL CHARACTERS OR MARKINGS, AS WELL AS THE LOCATION OF THE MARKINGS,  
MAY BE ADDED FOR TRACEABILITY BASED UPON MANUFACTURERS DISCRETION.
- 8 PLATED-THROUGH HOLES AT 2x2mm SQUARE GRID  
PATTERN DEFINED BY CONTACT LAYOUT.
- 9 FOR ACTUAL PIN LOADING SEE "CONTACT LAYOUT".
- 10 FOR ACTUAL PIN DIMENSIONS SEE "CONTACT DIMENSIONS".
- 11 AREA RESERVED FOR KEYING PART (BASIC P/N 100525)
- 12 POLARIZATION FEATURE.
- 13 TO BE MEASURED AT BOTTOM OF SHROUD.
- 14 CONNECTOR LUBRICATED WITH BELCORE APPROVED LUBRICANT,  
TECHNICAL REFERENCE: TR-NWT-001217 ISSUE 1, SEP 1992.

THIS DRAWING IS A CONTROLLED DOCUMENT.		DN SANDERS YAN 05JUN2012		
		CHK ALEX SHOAI 05JUN2012		
DIMENSIONS: mm		APVD ALEX CAI 05JUN2012	NAME MALE ASSEMBLY, Z-PACK 2mm HM, TYPE A, 110 POSN	
		PRODUCT SPEC	108-19082	
		APPLICATION SPEC	114-19029	
MATERIAL SEE SHEET 1	FINISH SEE SHEET 1	WEIGHT -	SIZE A1	CAGE CODE 00779
		DRAWING NO. 6645496	RESTRICTED TO -	
		CUSTOMER DRAWING	SCALE 4:1	SHEET 2 OF 2 REV A