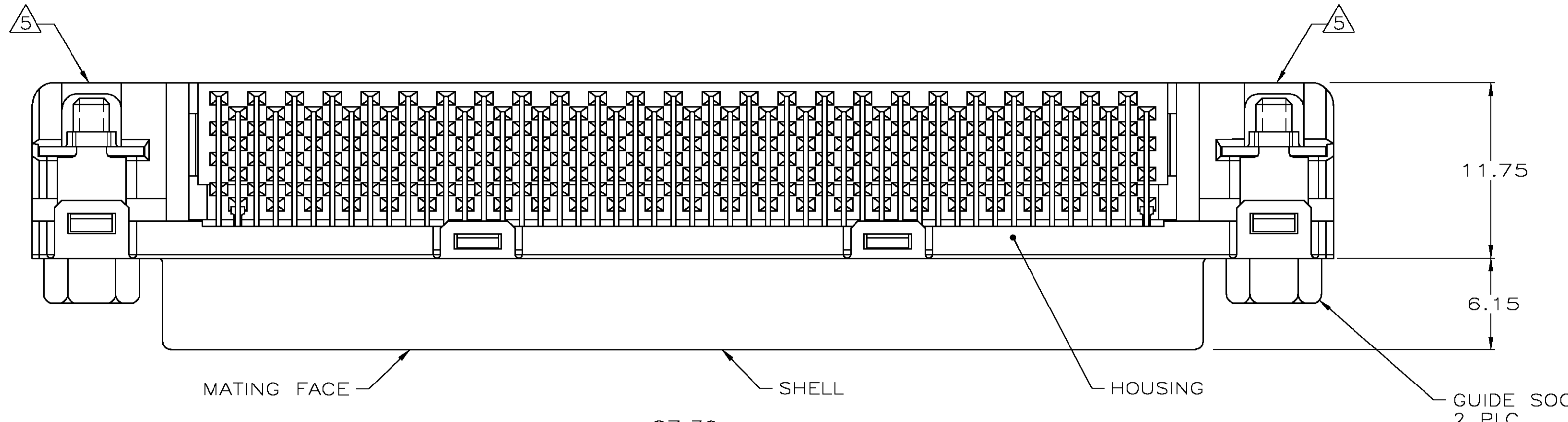
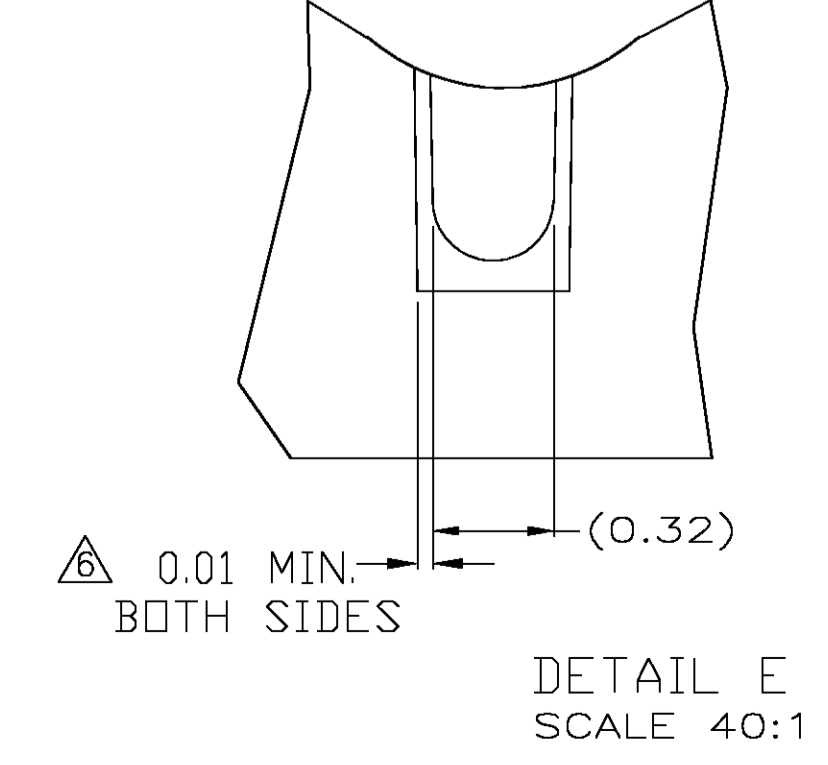
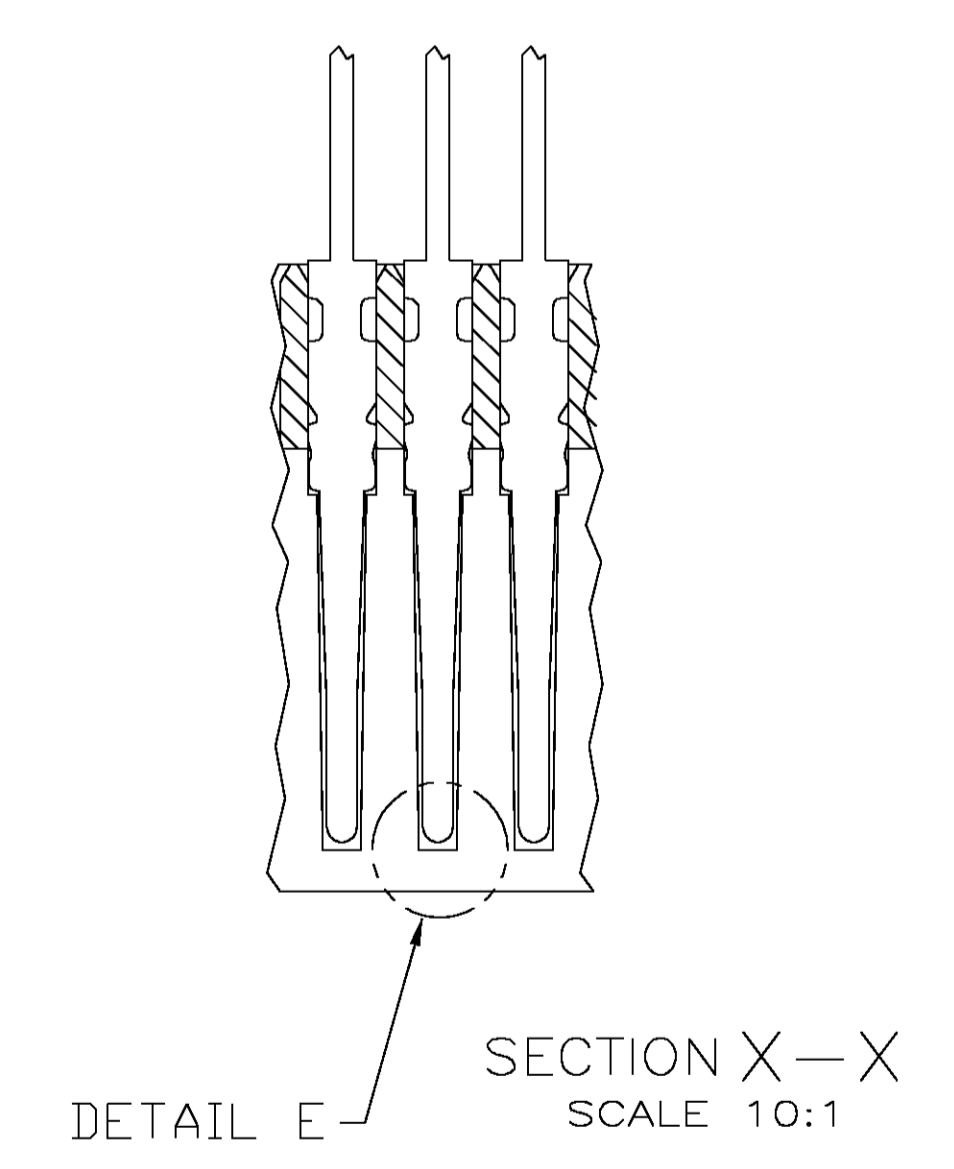
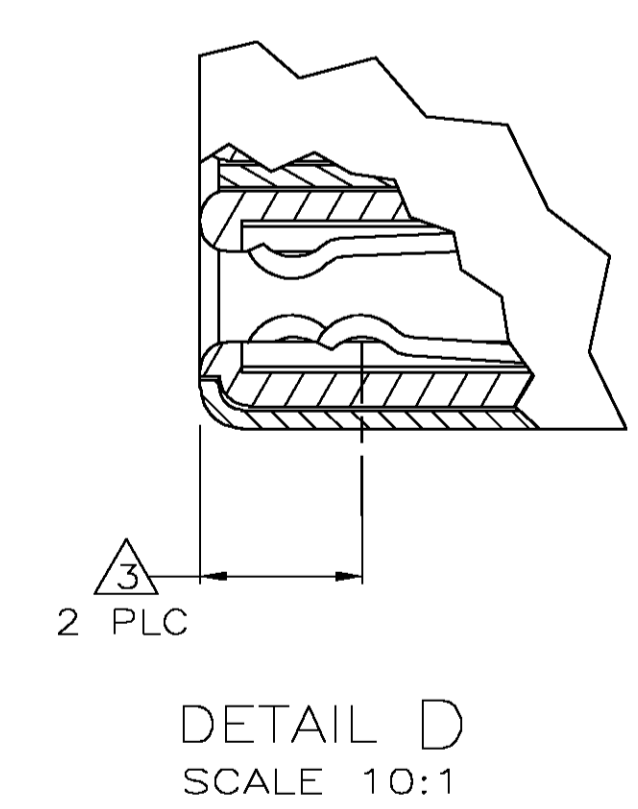
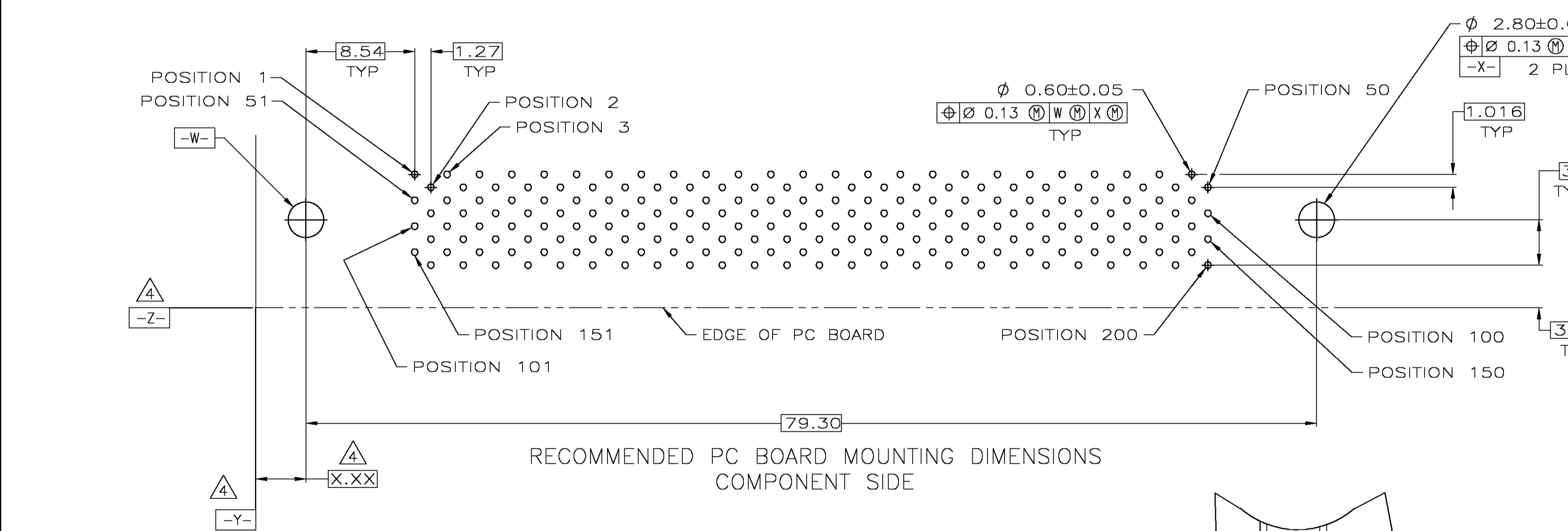
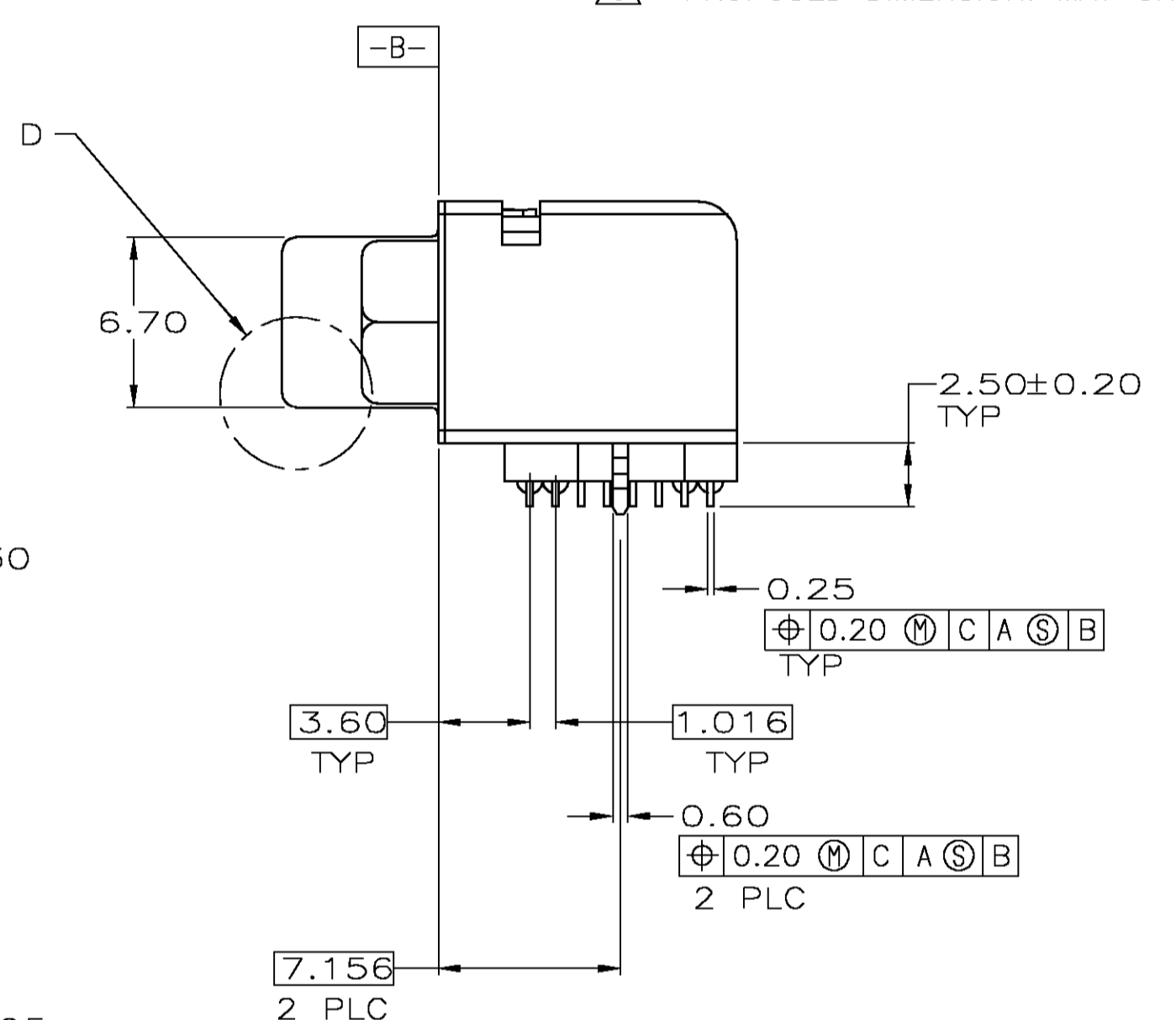
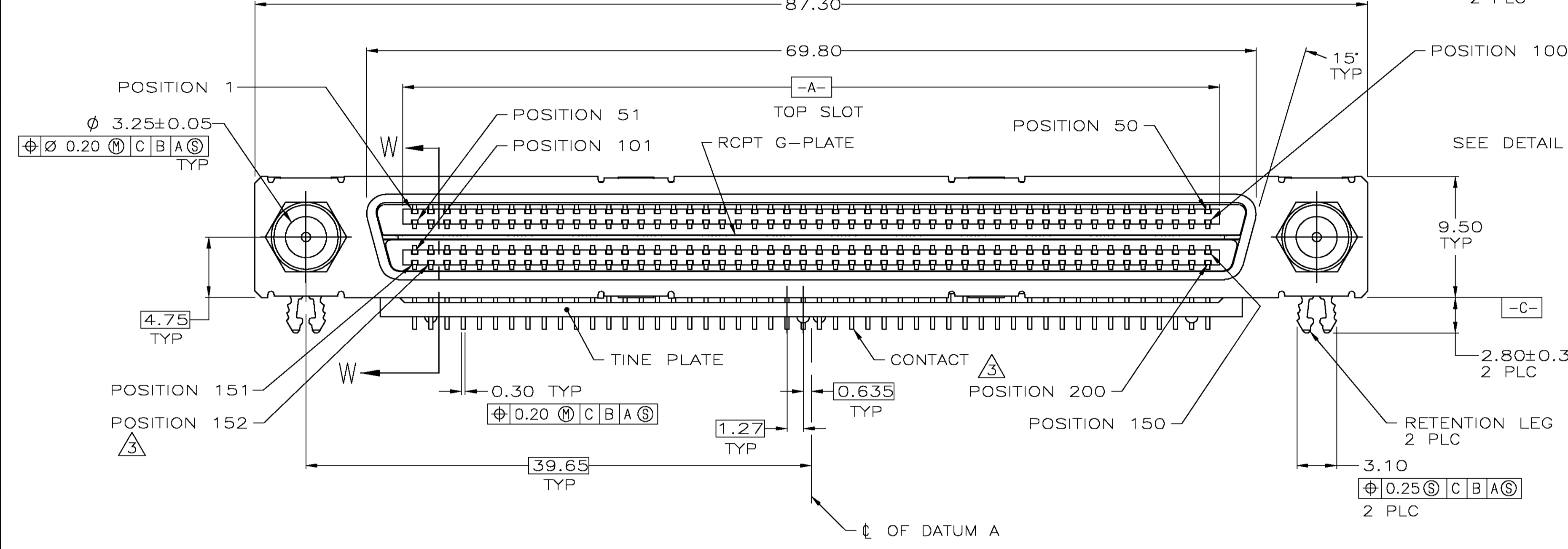


LOC		DIST		REVISIONS				
P	LR	DATE	DMN	APVD	DESCRIPTION			
0		12-07-04	AF	JG	RELEASED PER EC 0513-0440-04			



- △ HOUSING AND TINE PLATE: POLYESTER, NATURAL.
CONTACTS: PHOSPHOR BRONZE.
SHELL: CARBON STEEL.
RCPT G-PLATE: STAINLESS STEEL.
GUIDE SOCKET AND RETENTION LEG: BRASS.
- △ CONTACTS: 0.76µm MIN GOLD FOR A LENGTH OF 1.10 MIN FROM MATING END,
2.54 MIN TIN FOR A LENGTH OF 2.80 MIN FROM OPPOSITE END,
BOTH OVER 1.27µm MIN NICKEL.
SHELL: 3.00µm MIN NICKEL OVER 1.30µm MIN COPPER.
RETENTION LEG: 2.00µm MIN TIN OVER 1.00µm MIN NICKEL.
GUIDE SOCKET: NICKEL OVER COPPER.
- △ CONTACTS 152 AND 200, ARE SEQUENCED AWAY FROM MATING FACE.
- △ DATUMS AND BASIC DIMENSIONS ESTABLISHED BY CUSTOMER.
- △ DATE CODE MAY BE MARKED ON EITHER END.
- △ PROPOSED DIMENSION. MAY CHANGE PENDING CAPABILITY STUDY VERIFICATION.



**COPYRIGHT 2005
 TYCO ELECTRONICS CORP
 ALL RIGHTS RESERVED**

6658203-1
 PART NUMBER

THIS DRAWING IS A CONTROLLED DOCUMENT.		DWG A. FERNANDEZ-DOCK5 12-07-04	Tyco Electronics Corporation Harrisburg, PA 17105-3608
DIMENSIONS: MM		CHK C. ROHDE 12-07-04	
0 PLC ± - 1 PLC ± 0.2 2 PLC ± 0.25 3 PLC ± 0.25 4 PLC ± - ANGLES ± ± °		APVD M. WALMSLEY 12-07-04	NAME RECEPTACLE ASSEMBLY, 200 POSITION, RIGHT ANGLE, .050, CHAMP
MATERIAL △		FINISH △	SIZE A1
CUSTOMER DRAWING		WEIGHT -	CAGE CODE 00779
		DRAWING NO 6658203	RESTRICTED TO -
		SCALE 4:1	SHEET 1 OF 1
			REV 0