

Coaxial Trough Line Phase Shifters

DC To 18 GHz and DC-26.5 GHz Models.

Features

- Type SMA Connectors Standard.
- Options from DC-18 GHz, and DC-26.5 GHz.
- High Performance, Trough Line Style Structure.
- Military Grade Materials and Processing.
- -40° to + 125°C Operating Temperature Range.
- 6605, 6705, 6705K, 6805 Series.



Technical Specifications

Model	6605	6705	6705K	6805
Frequency Range (GHz)	DC-18	DC-18	DC-26.5	DC-18
Phase Shift, min (°/GHz)	40	40	40	40
Phase Shift, min (°/GHz/Shaft Turn)	1.5	1.5	1.5	1.5
Insertion Phase, nom at Min Phase Setting (°/GHz)	140	140	130	150
Number of Turns, min	26	26	26	26
VSWR max				
DC to 18 GHz	1.60	1.60	1.60	1.60
18 to 26.5 GHz	NA	NA	2.00	NA
Insertion Loss, max (dB)				
DC to 18 GHz	1.50	1.50	1.25	1.50
18 to 26.5 GHz	NA	NA	1.75	NA
Power				
Average (Watts)	100	100	100	100
Peak (Watts)	1000	1000	1000	1000
Time Delay, nom (nsec) @ Min Phase Setting	0.4	0.4	0.4	0.4
Connectors	SMA	SMA	K	SMA
Weight				
Ounces	2.5	3.75	3.75	3.0
Grams	71	106	106	85

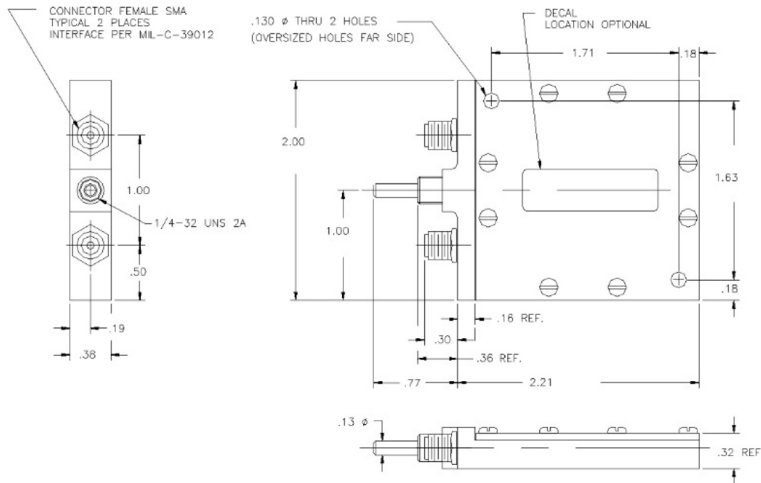
NOTES:

1. 1 Degree per GHz of Phase Shifters equals 2.78 picoseconds of time delay.
2. Average and Peak Power are given at ambient temperature and altitude with Time SMA Connectors.
Power is further limited by threshold level of selected connector style.

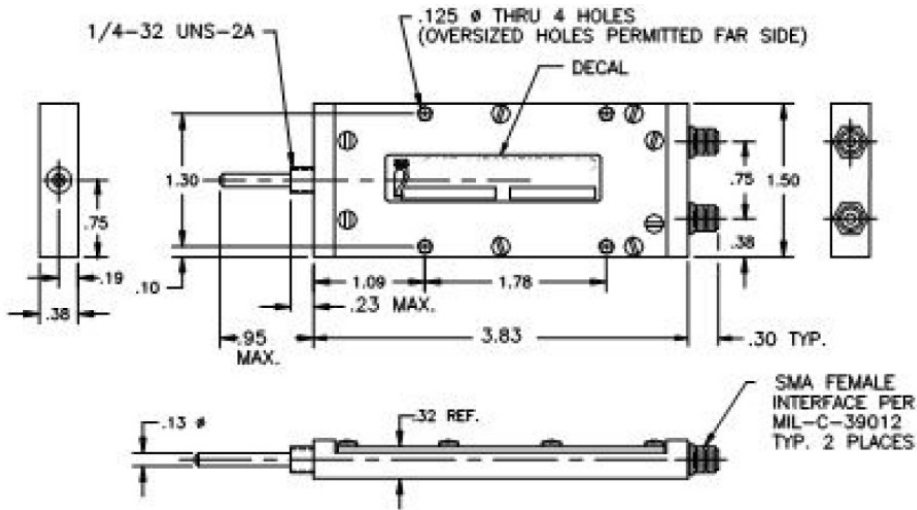
Coaxial Trough Line Phase Shifters

DC To 18 GHz and DC-26.5 GHz Models.

Model 6605



Models 6705 and 6705K



Models 6805

