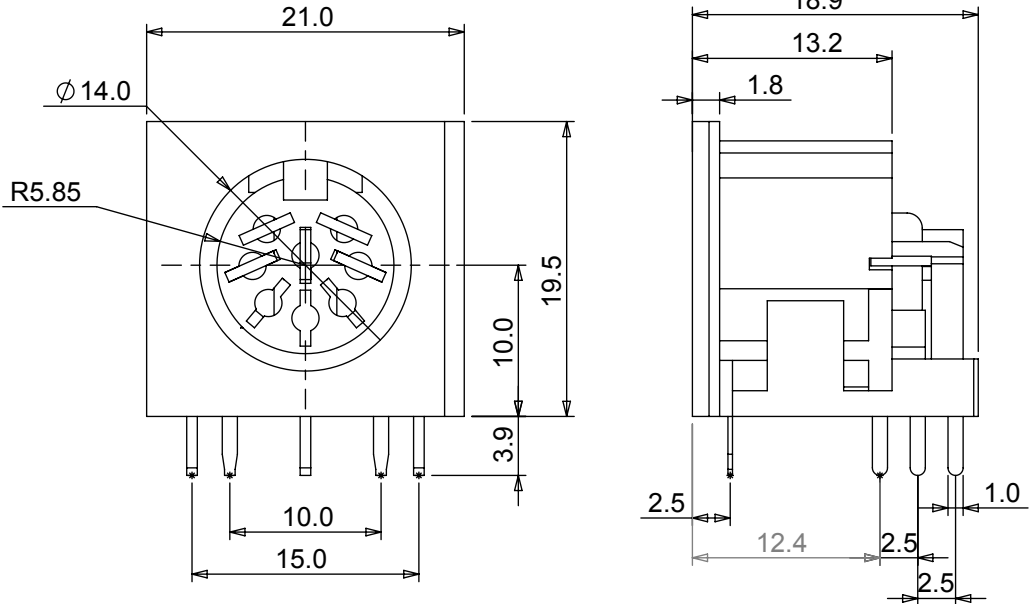
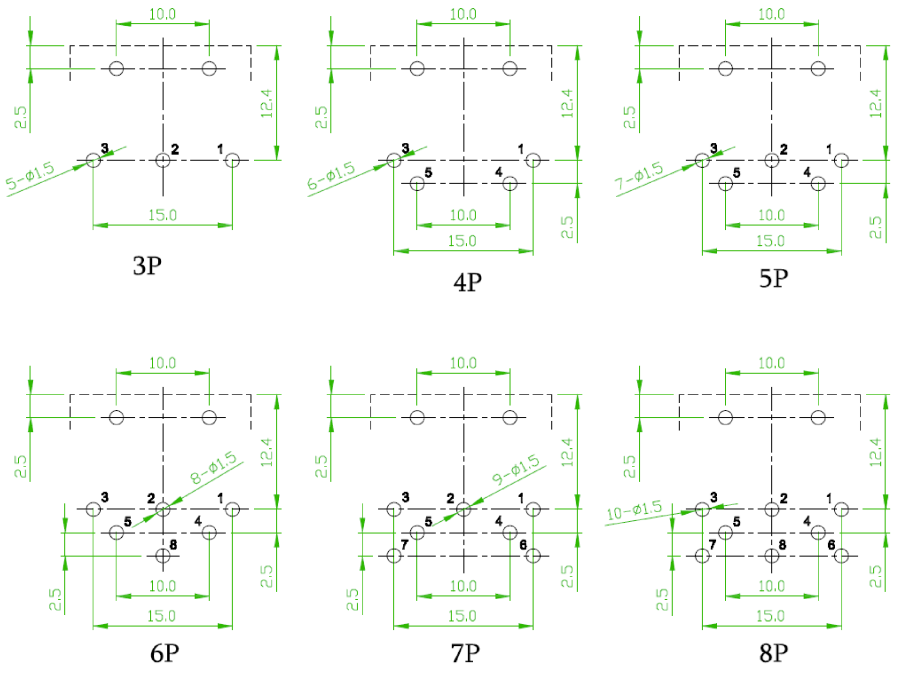
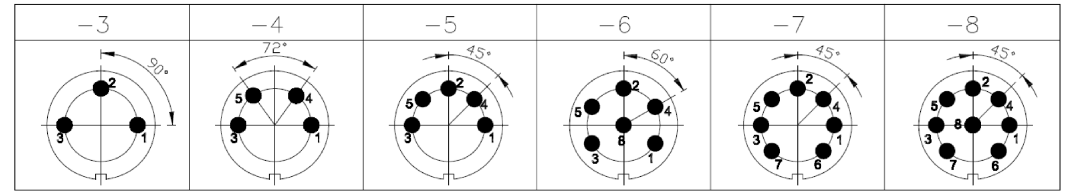


Printed circuit board - 90° DIN Sockets
A range of right -angled printed circuit board mounting DIN sockets
Which enable any DIN plug to be interfaced with a PCB.



PART	MATERIAL	PLATED	REMARK
COVER	PBT-94V0		BLACK
HOUSING	PBT-94V0		BLACK
SLEEVE	H62	TIN	RoHS
CONTACT	H62	TIN	RoHS



PART No	PIN VARIATION	DESCRIPTION
671-0301	3 WAY	90°PCB MOUNT
671-0401	4 WAY	90°PCB MOUNT
671-0501	5 WAY	90°PCB MOUNT
671-0601	6 WAY	90°PCB MOUNT
671-0701	7 WAY	90°PCB MOUNT
671-0801	8 WAY	90°PCB MOUNT

ELECTRICAL	
Rated Voltage	100V AC
Current Rating	2A
Contact Resistance	100M Ω
CLIMATIC	
Operating Temperature	-20°C to +70°C
MECHANICAL	
Insertion/Extraction Force	0.5kgf - 5.0kgf