



## Certifications & Ratings

- RoHS compliant

## Application

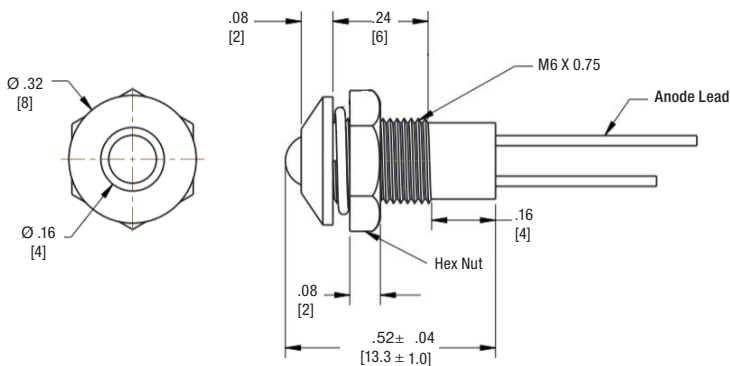
The 676 Series LED Panel Mount Indicators are designed for a variety of applications such as:

- Main power indication
  - Remote power indication
  - Status indication
  - Maintenance and warning indication
  - Instrumentation
- ... and many more!

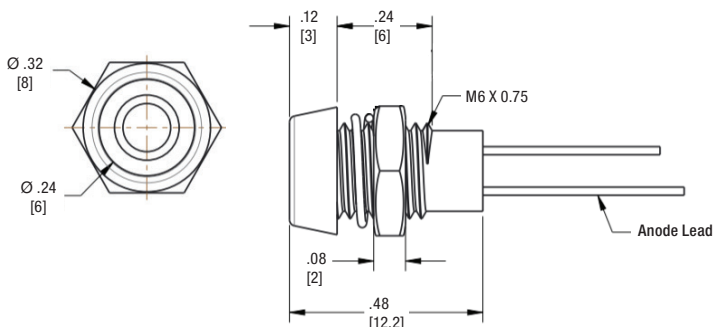
## Dimensions

inches [mm]

### Protruding



### Recessed



## Mechanical Information

<b>Mounting Hole Size:</b>	0.244" (6.2 mm)
<b>Max Panel Thickness:</b>	0.138" (3.5 mm)
<b>Mounting Torque:</b>	0.362 lbs/ft (5 kg/cm)

## Specifications

<b>Voltage Options:</b>	2 (red, orange) and 3.3 (green, blue, white) VDC (resistor required on both voltages)
<b>Operating temp:</b>	-30 °C to +85 °C (-22 °F to +185 °F)
<b>Storage Temp:</b>	-40 °C to +100 °C (-40 °F to +212 °F)
<b>Electrical Connection:</b>	Through hole leads
<b>Housing:</b>	Brass — Chrome Plated
<b>Terminals:</b>	Copper — Nickel Plated
<b>Lock washer:</b>	Iron — Nickel Plated
<b>Nut:</b>	Brass — Nickel Plated

## Ordering Information 676 Series

Part Number	Color	Voltage (VDC)	Current (mA)	Typical Intensity* (mcd)
-------------	-------	---------------	--------------	--------------------------

### Protruding

676-1111-110F	● Red	2	20	7720
676-1211-110F	● Green	3.3		10100
676-1311-110F	● Orange	2		7810
676-1411-110F	● Blue	3.3		2980
676-1511-110F	○ White	3.3		6150

### Recessed

676-2111-110F	● Red	2	20	5650
676-2211-110F	● Green	3.3		11520
676-2311-110F	● Orange	2		7810
676-2411-110F	● Blue	3.3		3810
676-2511-110F	○ White	3.3		6220

Dialight reserves the right to make changes at any time in order to supply the best product possible. The most current version of this document will always be available at: [www.dialightsignalsandcomponents.com](http://www.dialightsignalsandcomponents.com)

**Warranty Statement:** Except for the warranty expressly provided for at: <https://www.dialight.com/resources/warranties/>, Dialight disclaims any and all other warranties, express or implied, including, without limitation, any warranties of merchantability, fitness for a particular purpose, title, and noninfringement.