



Designers' Choice

HOUSINGS & HEADERS

PLUG-IN HOUSINGS

Enhance the appearance and give a professional look to your products using these molded housings. Ideally suited for packaging relays, logic packages, networks and miniature circuitry. Durable, lightweight covers withstand vibrations and rough usage.

HEADERS: Molded of G.P. black phenolic. Fits standard sockets. **PINS:** Brass, Nickel Plated.

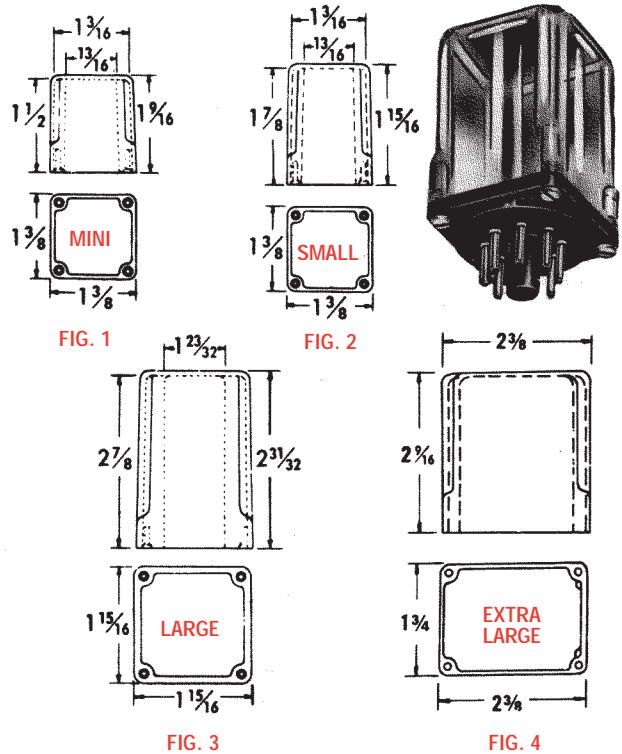
MATERIAL CHARACTERISTICS:

- Variety of molded materials
- Good chemical resistance.

POLYSTYRENE: For general purpose use where high impact strength is not required and temperature would not exceed 170° F.

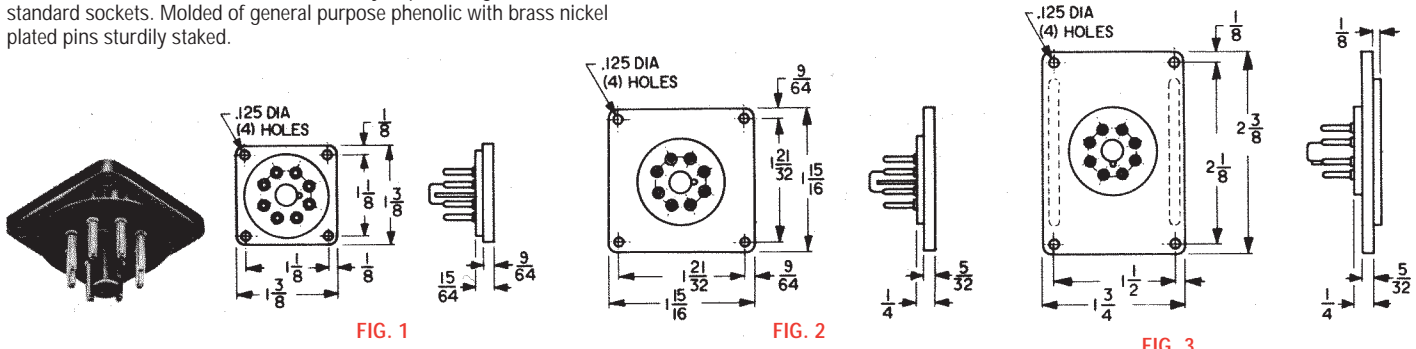
LEXAN: 3 Times the impact strength of Polystyrene. Excellent electrical properties. Use wherever temperatures of 280° F exist

| Housing with Octal Header & 4 Screws CAT. NO. | Housing Only CAT. NO. | Fig. No. | Type | Material | Color |
|--|--------------------------|----------|-----------|-------------|--------------|
| 660 | 670 | 1 | Mini | Lexan | Clear |
| 661 | 671 | 1 | Mini | Lexan | White |
| 662 | 672 | 1 | Mini | Polystyrene | Clear |
| 641 | 675 | 1 | Mini | Polystyrene | Opaque Black |
| | | | | | |
| 663 | 673 | 2 | Small | Lexan | Clear |
| 664 | 674 | 2 | Small | Lexan | White |
| 665 | 676 | 2 | Small | Polystyrene | Clear |
| 643 | 647 | 2 | Small | Polystyrene | Opaque Black |
| | | | | | |
| 650 | 649 | 3 | Large | Lexan | Clear |
| 668 | 679 | 3 | Large | Polystyrene | Clear |
| 677 | 666 | 3 | Large | Polystyrene | Opaque Black |
| | | | | | |
| 639 | 640 | 4 | Xtra-L'ge | Polystyrene | Clear |
| 710 | 711 | 4 | Xtra-L'ge | Polystyrene | Opaque Black |
| 712 | 713 | 4 | Xtra-L'ge | Lexan | Clear |



HEADERS FOR THE ABOVE HOUSINGS

HEADERS: Headers are available in a variety of pin configurations that fit standard sockets. Molded of general purpose phenolic with brass nickel plated pins sturdily staked.



| 1 3/8 Sq. Headers for Mini & Small Housing (Fig. 1 Above) CAT. NO. | Pin Configuration | 1 15/16 Sq. Headers for Large Housing (Fig. 2 Above) CAT. NO. | 1 3/4 x 2 3/8 Headers for Extra Large Housing (Fig. 3 Above) CAT. NO. |
|--|-------------------|---|---|
| 681 | Octal | 685 | 690 |
| 682 | Nine Pin | Not Available | Not Available |
| 683 | Eleven Pin | 686 | 714 |