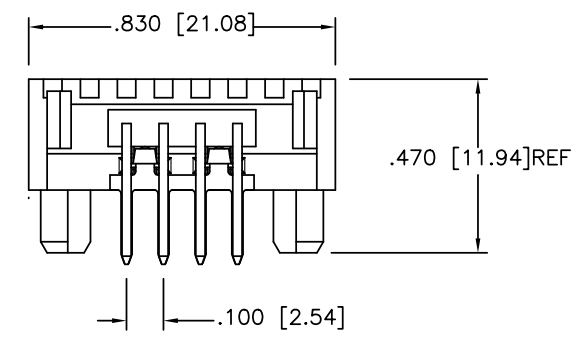
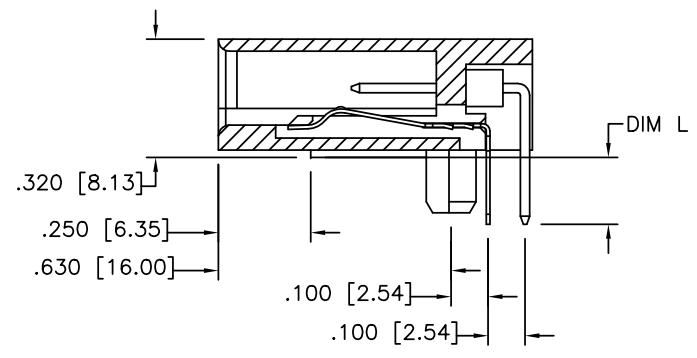
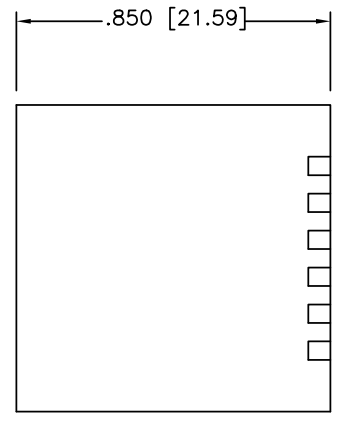


PRODUCT NUMBER  
SEE TABLE



mat'l. code		surface ISO 1302 ✓		tolerance ISO 406 ISO 1101		projection ASME Y14.5		product family LATCH-N-LOK	
ltr ecn nodr date		tolerances unless otherwise specified		title		INCH/MM		1X4 LNL RT ANGLE HEADER ASSEMBLY	
K	ELX-N-008442	ZK	11/29/11	angles	linea	scale 2:1		dwg no 69273 sheet 1 of 2 size A3	
E	M05-0033	ERE	2/25/05	0°±2'	XXXX±.005/0.004±0.13			type Product Customer Drawing	
F	M05-0052	MHT	3/16/05	chr	J. LINN	7/17/90			
G	M06-0285	AGS	7/28/06	engr	D. HORCHLER	7/17/90			
H	M06-0365	AGS	9/20/06	chr	D. HORCHLER	7/17/90			
J	M09-0048	MHT	3/12/09	app	D. HORCHLER	7/17/90			
sheet	revision	K	K						
index	sheet	1	2						

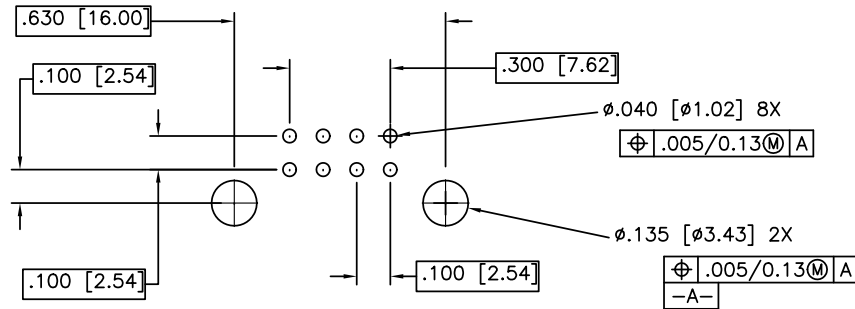
69273-XXXXLF

LEAD FREE OPTION (6) (7)

COLOR (4)		
1	70343 LT GRAY	OBS
2	80166 OFF WHITE	
3	70634 DK GRAY	OBS
4	701 BLACK	
5	70541 SLATE GRAY	OBS
7	70455 SILVER GRAY	
8	80189 PEARL WHITE	OBS
9	70419 PEBBLE GRAY	

PLATING (3)	
0	30u" MIN OVER 50u"MIN Ni
3	30u" MIN OVER 50u"MIN Ni
5	50u" MIN OVER 50u"MIN Ni

PIN LENGTH	
	DIM L
0	.150/3.81
1	.110/2.79



RECOMMENDED PCB LAYOUT

- NOTES:
- HEADER SHROUD  
MAT'L: HIGH TEMPERATURE THERMOPLASTIC.  
UL-94V-0 RATED.
  - GROUND CONTACT  
MAT'L: COPPER ALLOY  
PLATING: 100-150u"/2.54-4.06u TIN.
  - SIGNAL CONTACT  
MAT'L: COPPER ALLOY  
PLATING: PERFORMANCE PLATING WILL BE EITHER GOLD OR GXT ON CONTACT AREA OR TAIL, OPTIONALLY (78-295u") TIN ON TAIL.
  - NUMBERS SHOWN ARE FOR G.E. LEXAN AND ARE FOR REFERENCE ONLY.
  - THIS ASSEMBLY U.L. APPROVED PER FILE E66906 VOL. 1, SEC 84 AND CSA APPROVED PER MASTER FILE LR 46923
  - (6) ADD LF SUFFIX AT THE END OF PART NUMBER FOR LEAD FREE OPTION.
  - THE HOUSING WILL WITHSTAND EXPOSURE TO 260°C PEAK TEMPERATURE FOR 15 SECONDS IN A WAVE SOLDER APPLICATION WITH A 1.5mm MINIMUM THICK CIRCUIT BOARD. SEE APPLICATION NOTES/PROCEDURES IF THEY ARE AVAILABLE.
  - (8) THIS PRODUCT MEETS EUROPEAN UNION DIRECTIVES AND OTHER COUNTRY REGULATION AS DESCRIBED IN GS-22-008.
  - PRODUCT SPEC: GS-12-003

mat'l. code		surface		tolerance		projection		product family	
		ISO 1302		ISO 406 ISO 1101				LATCH-N-LOK	
ltr ecn nqdr		date		tolerances unless otherwise specified				title	
K				angles line $0^\circ \pm 2'$		INCH/MM scale 2:1		1X4 LNL RT ANGLE HEADER ASSEMBLY	
				dr J. LINN 7/17/90				dwg no sheet 2 of 2 size	
				enfr D. HORCHLER 7/17/90				69273 A3	
				chr D. HORCHLER 7/17/90					
				app D. HORCHLER 7/17/90				type Product Customer Drawing	
sheet index		revision sheet							