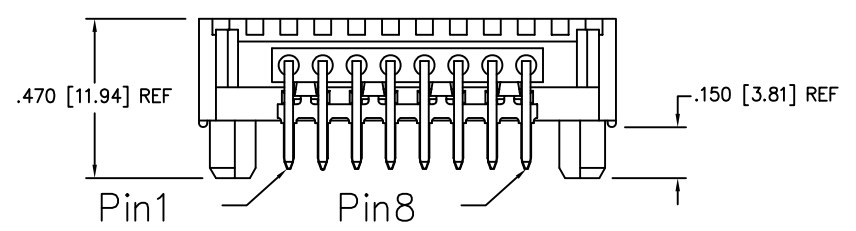
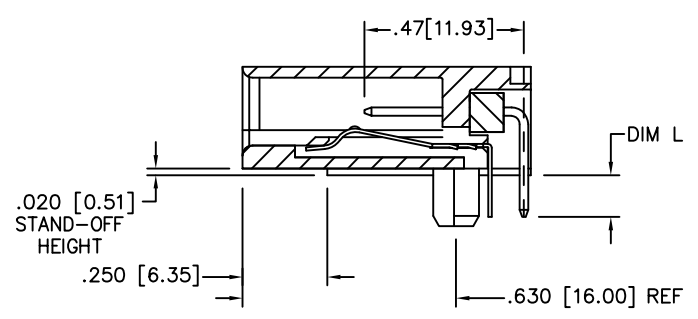
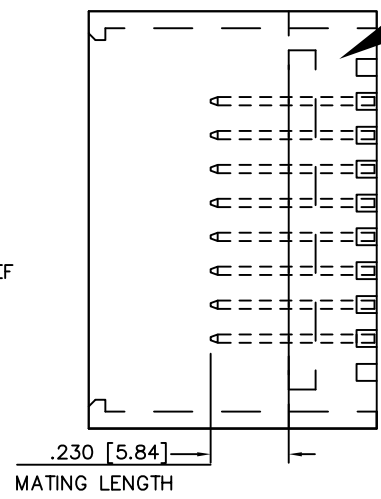
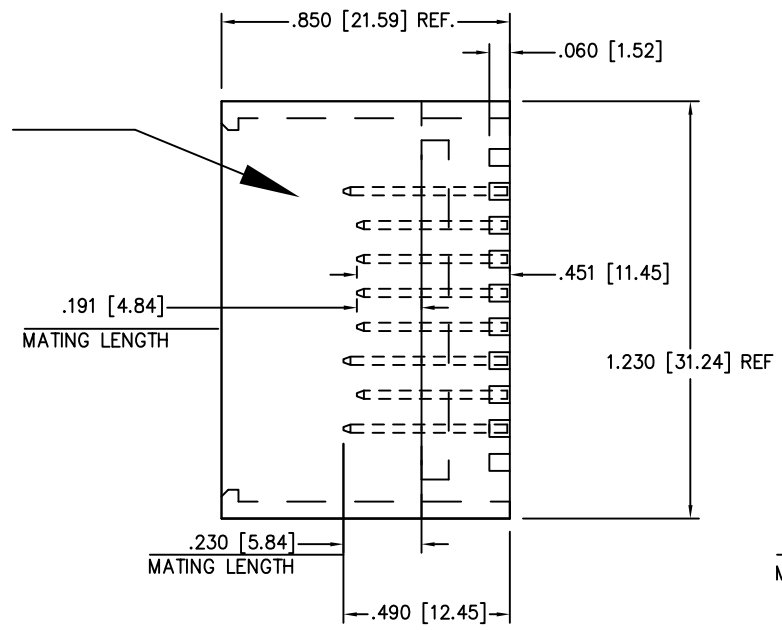


PRODUCT NUMBER  
SEE TABLE

ONLY FOR LONG  
AND SHORT PIN

FOR NO LONG  
AND SHORT PIN



mat'l. code NOTES 2 & 3		surface ISO 1302		tolerance ISO 406 ISO 1101		projection INCH/MM		product family LATCH-N-LOK	
ltr	ecn no	dr	date	tolerances unless otherwise specified		INCH/MM		title 1X8 LNL RIGHT ANGLE HEADER ASSEMBLY	
J	ELX-N-008447	ZK	11/29/11	angles	linear	scale 1:1		dwg no 69913	
K	ELX-N-23471	MZ	03/15/16	0°±2°		Amphenol FCI		sheet 1 of 2 size A3	
				dr	J. LINN	7/17/90		type Product Customer Drawing	
				engr	D. HORCHLER	7/17/90			
				chr	D. HORCHLER	7/17/90			
				appd	D. HORCHLER	7/17/90			
sheet index	revision	K	K						
	sheet	1	2						

© 2016 AFCI Amphenol FCI

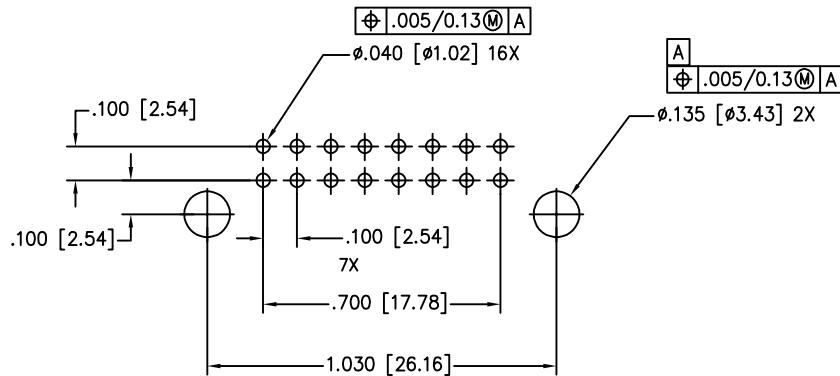
69913-XXXLF — X X X LF

LEAD FREE OPTION (6) (7)

COLOR (4)		
0	701 BLACK	
1	70343 LT GRAY	OBS
2	80166 OFF WHITE	
3	70634 DK GRAY	OBS
4	701 BLACK	
5	70511 SLATE GRAY	OBS
7	70455 SILVER GRAY	
8	80189 PEARL WHITE	OBS
9	70419 PEBBLE GRAY	

	PLATING (3)	Long & Short Pin
0	30u" MIN OVER 50u"MIN Ni	NO
1	30u" MIN OVER 50u"MIN Ni	YES
3	30u" MIN OVER 50u"MIN Ni	NO
5	50u" MIN OVER 50u"MIN Ni	NO

PIN LENGTH	
	DIM L
0	1.50/3.18
1	.110/2.79



NOTES:

- MAT'L: HIGH TEMPERATURE THERMOPLASTIC, UL-94V-0 RATED.
- GROUND CONTACT.  
MAT'L: COPPER ALLOY.  
PLATING: 100-160u"/2.54-4.06u TIN.
- SIGNAL CONTACT  
MAT'L: COPPER ALLOY.  
PLATING: PERFORMANCE PLATING WILL BE EITHER GOLD OR GXT ON CONTACT AREA OR TAIL, OPTIONALLY (78-295u") TIN ON TAIL.
- NUMBERS SHOWN ARE FOR G.E. LEXAN AND ARE FOR REFERENCE ONLY.
- THIS ASSEMBLY U.L. APPROVED PER FILE E66906 VOL. 1, SEC. 84 AND CSA APPROVED PER MASTER FILE LR46923.
- ADD LF SUFFIX AT THE END OF PART NUMBER FOR LEAD FREE OPTION.
- THE HOUSING WILL WITHSTAND EXPOSURE TO 260°C PEAK TEMPERATURE FOR 15 SECONDS IN A WAVE SOLDER APPLICATION WITH A 1.5mm. MINIMUM THICK CIRCUIT BOARD. SEE APPLICATION NOTES/PROCEDURES IF THEY ARE AVAILABLE.
- THIS PRODUCT MEETS EUROPEAN UNION DIRECTIVES AND OTHER COUNTRY REGULATION AS DESCRIBED IN GS-22-008.
- PRODUCT SPEC: GS-12-003.

mat'l. code NOTES 2 & 3		surface ISO 1302 ✓		tolerance ISO 406 ISO 1101		projection INCH/MM		product family LATCH-N-LOK		
ltr	ecn no	dr	date	tolerances unless otherwise specified		INCH/MM		title 1X8 LNL RIGHT ANGLE HEADER ASSEMBLY		
K				angles	linear	scale 1:1		dwg no 69913		
				0°±2°				sheet 2 of 2 size A3		
				dr	J. LINN	7/17/90	Amphenol FCI		type Product Customer Drawing	
				enr	D. HORCHLER	7/17/90				
				chr	D. HORCHLER	7/17/90				
				appd	D. HORCHLER	7/17/90				
sheet index	revision sheet									