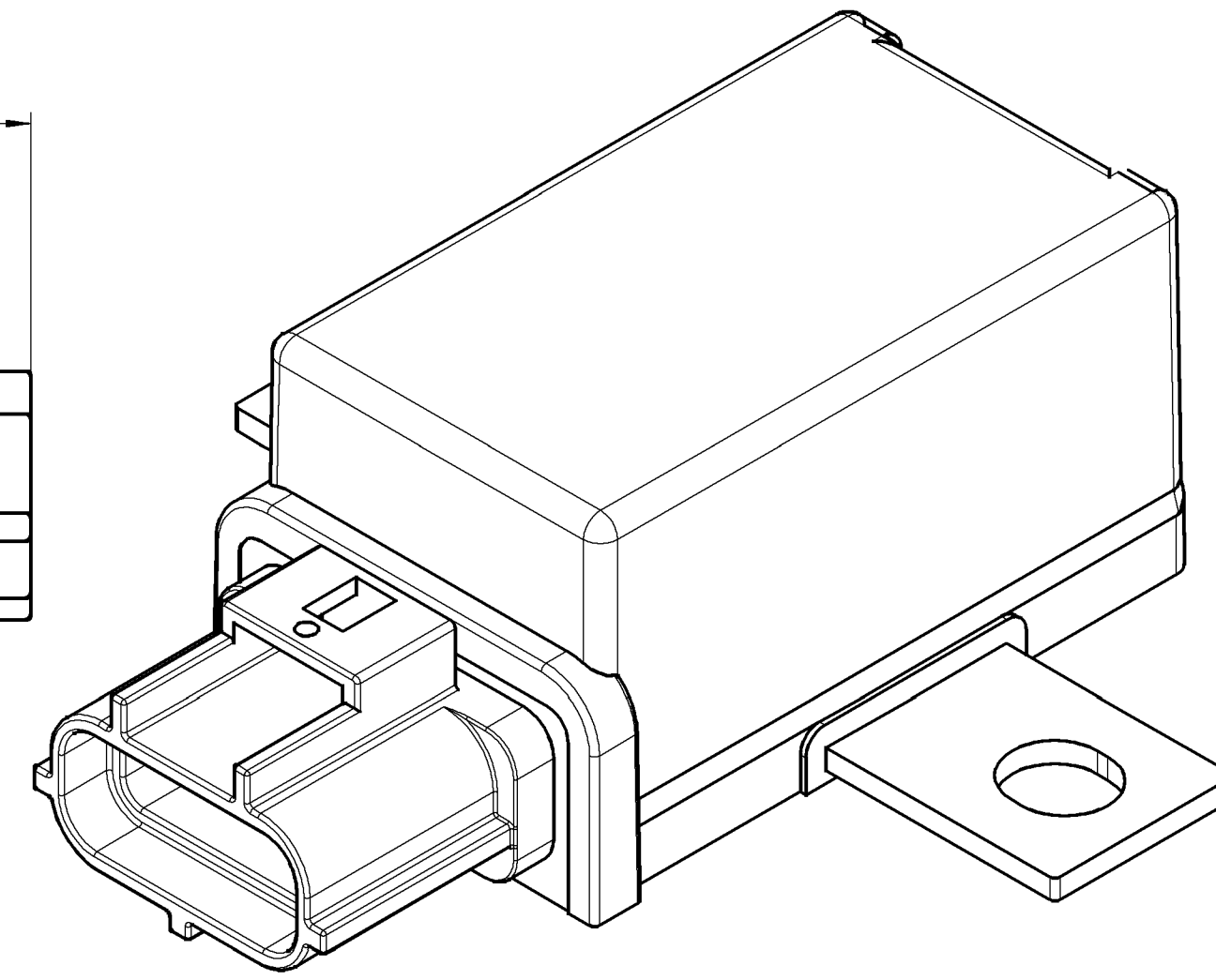
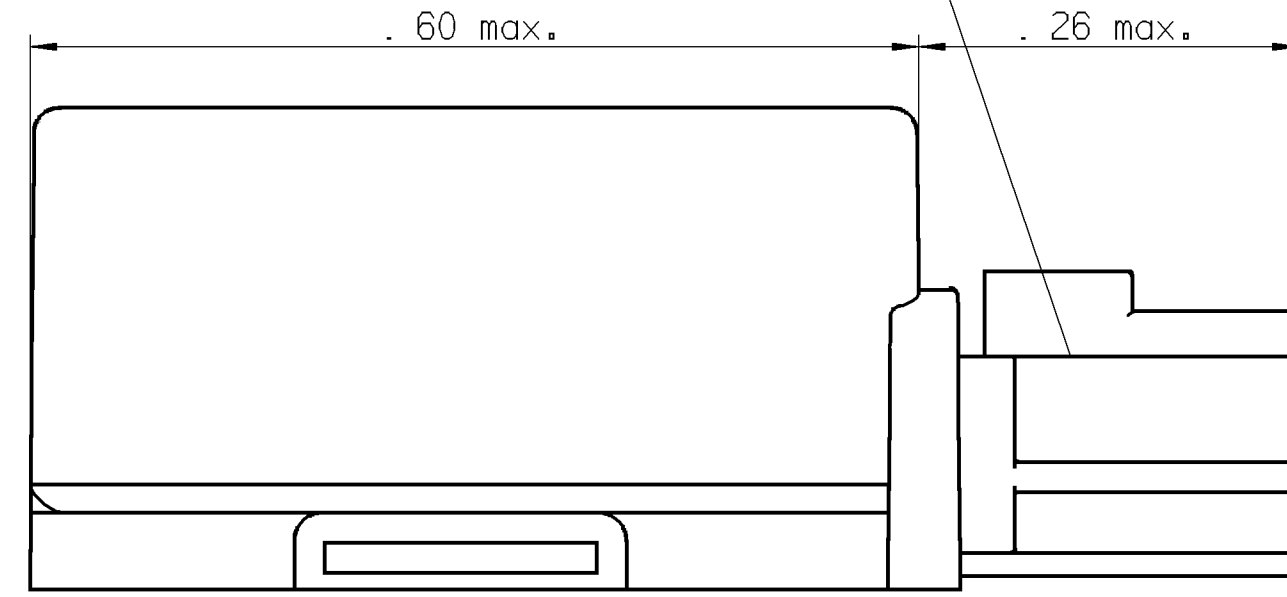
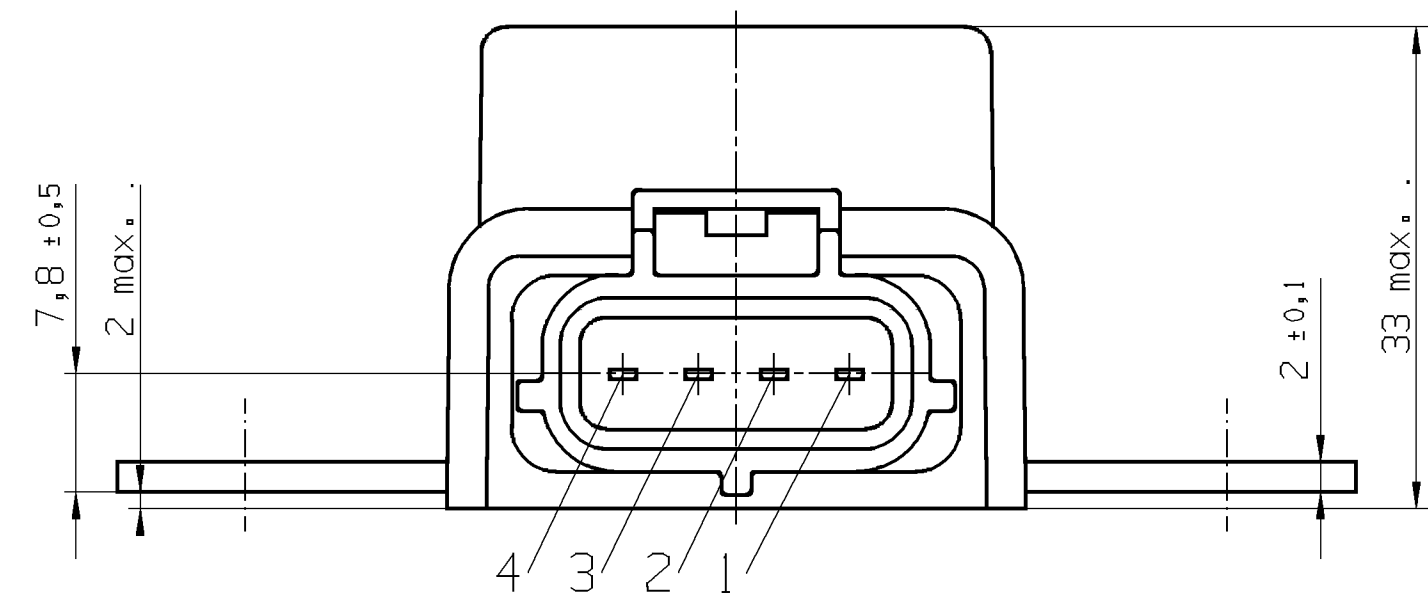
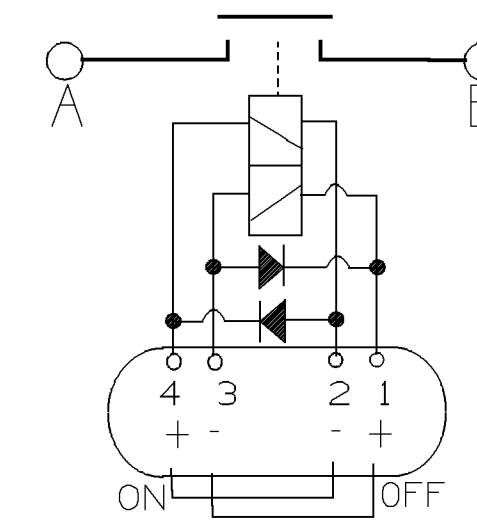


AMP Sensor Connector 4-Position 0.070 Series,  
appropriate for AMP part no. 184046-1



3D-VIEW

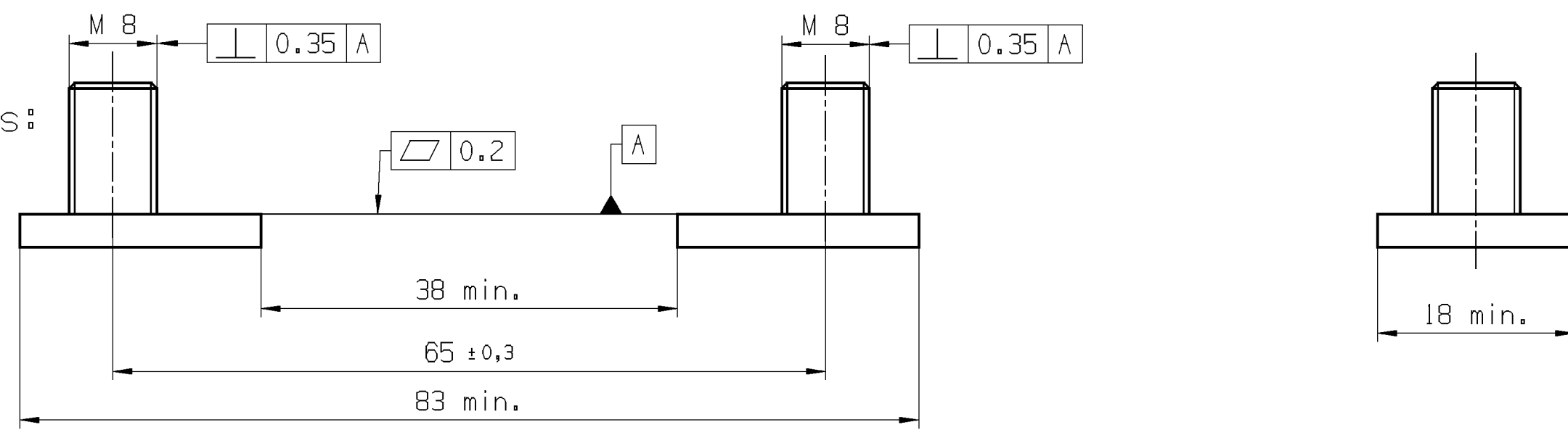
Pin Assignment



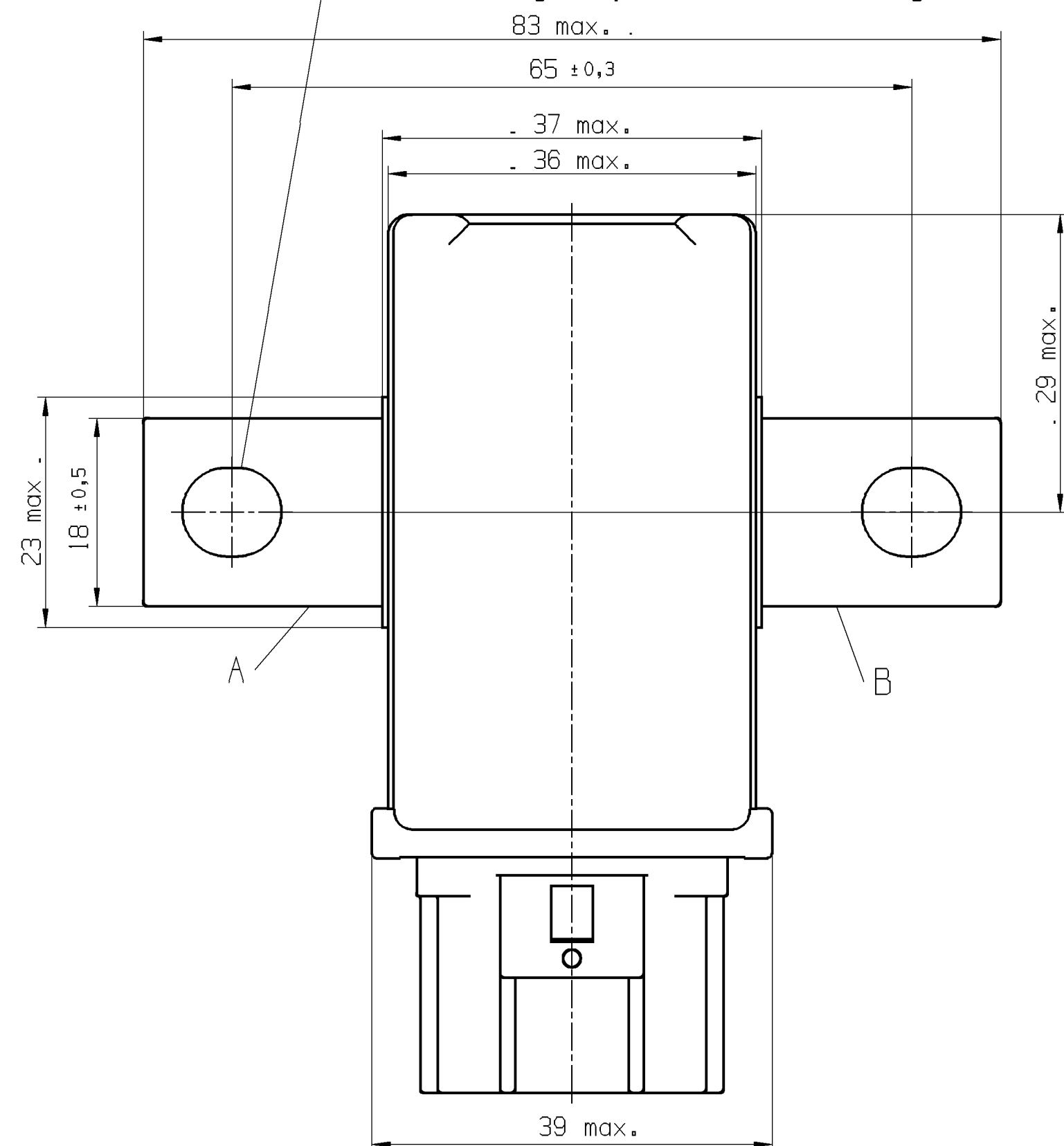
Terminal	Function
4	Set Coil (+)
3	Reset Coil (-)
2	Set Coil (-)
1	Reset Coil (+)
A	Load Terminal
B	Load Terminal

Set = A and B get connected

Mounting Conditions:



Permitted Screwing Torque: 13Nm max.  
This screwing torque will not cause any defect on the relay



Tyco Electronics Part Number  
7-1414778-3

PROPRIETARY THE REPRODUCTION, TRANSMISSION OR USE OF THIS DOCUMENT OR IT'S CONTENTS IS NOT PERMITTED WITHOUT EXPRESSED WRITTEN AUTHORITY. OFFENDERS WILL BE LIABLE FOR ALL DAMAGES. ALL RIGHTS, INCLUDING RIGHTS CREATED BY REGISTERED PATENTS ARE RESERVED.		CHANGES TO THIS DRAWING MUST BE DONE ONLY IN CAD		PAPER SIZE A1
APPLICABLE SPEC.:		FINISH		
TOLERANCE UNLESS SPECIFIED OTHERWISE		SCALE		WEIGHT
ISO 8015		SCALE 2:1		
ISO 2768-CL		MATERIAL		
DIMENSIONS IN MM		PART NAME		
DATE	NAME	BDS-A 24V Latching		
30.11.2007	In. Hoehnel	PART NO.		
APP.	REV.	V23130-C2421-A431		SHT. 1
REV.	LOCATION	PART NO.		OF 1
	Bin P	CUSTOMER DRAWING		
Initial	DATE	Tyco Electronics		
2007-11-30				
CHANGE ORDER	DATE			