

REVISIONS

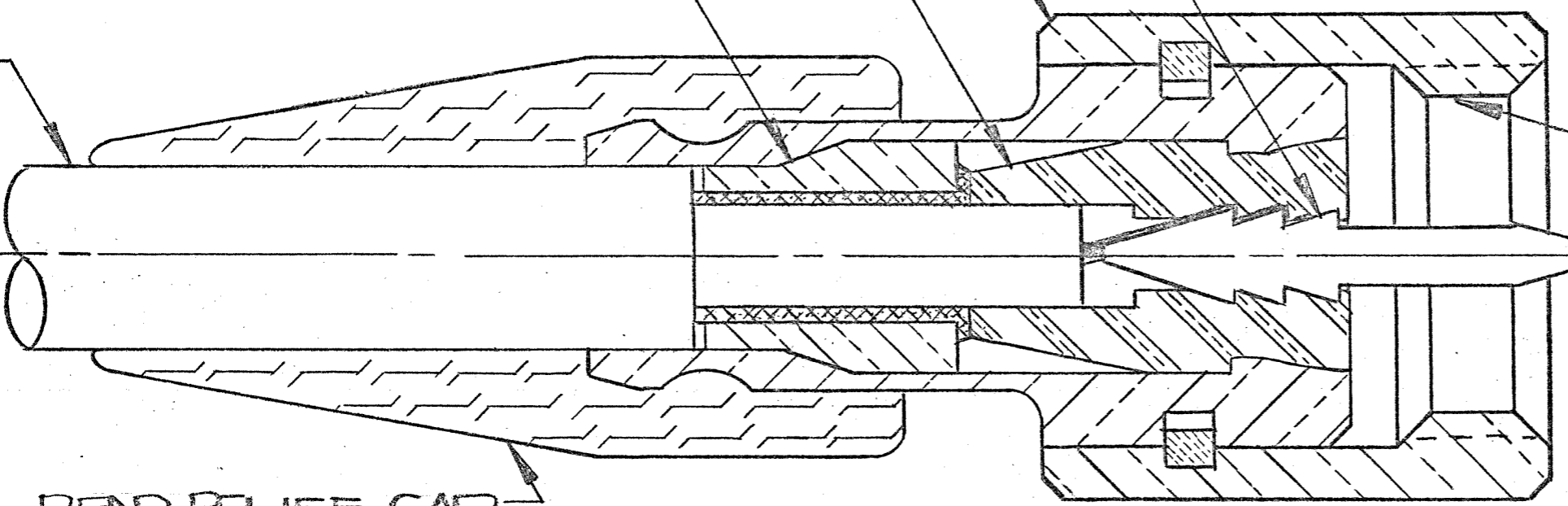
| ZONE | LTR | ECN | DESCRIPTION | DATE | APPROVED |
|------|-----|-------|--------------------|---------|----------|
| | B | 33308 | NEW RELEASE | 1/31/91 | AS |
| | C | 33555 | UPDATE SEE ECN. | 6/21/91 | AS |
| | D | 38697 | UPDATE REV. LETTER | 3/5/99 | AS |
| B-1 | E | 42793 | ADD "RED" TO B/D | 1/28/05 | AW |

PIN CONTACT
P/N 003-0359-0002

HOUSING SUB-ASSY
P/N 003-1530-0001

INSULATOR
P/N 003-0027-0001

JERK RING
P/N 003-0163-0002



.190-32 UNF-2B THD

BEND RELIEF CAP
P/N 003-0270-0002 (RED)

7-1532004-8

NOTES:

1. THIS CONNECTOR MATES W/ALL JACKS AND RECEPTACLES IN SERIES S-50 AS LISTED IN MALCO CATALOG
2. FOR ASSY INSTRUCTIONS SEE RF-ASMB-88, USE MALCO SPECIAL TOOL #010-0003-0000
3. GOLD PLATE PER MIL-G-45204 TYPE II, GRADE C, CLASS I.
4. CABLE ACCEPTANCE DIM'S
 JACKET: .087 DIA MAX
 SHIELD: .061 DIA MAX
 DIELECTRIC: .050 DIA MAX
 INNER COND: .012 DIA NOM.

| QTY. | PT. NO. | DESCRIPTION | ITEM NO. |
|---|---------|--|----------------|
| PARTS LIST | | | |
| UNLESS OTHERWISE SPECIFIED DIMENSIONS ARE IN INCHES TOLERANCES ARE: FRACTIONS DECIMALS ANGLES ± .XX ± ± .XXX ± ± | | CONTRACT NO. | |
| MATERIAL | | APPROVALS | DATE |
| FINISH | | DRAWN <i>manica</i> | 9/1/16 |
| NEXT ASSY | | CHECKED <i>AS</i> | 1/16/91 |
| USED ON | | PR. ENG. <i>Antony</i> | 1/16/91 |
| APPLICATION | | APPROVED | |
| DO NOT SCALE DRAWING | | MALCO A MICRODOT COMPANY, INC. 220 PASADENA AVE., SO. PASADENA, CALIF. 91030 | |
| | | SIZE | CODE IDENT NO. |
| | | B | 98278 |
| | | DRAWING NO. | |
| | | 052-0641-0001 | |
| | | SCALE | SHEET 1 OF 1 |