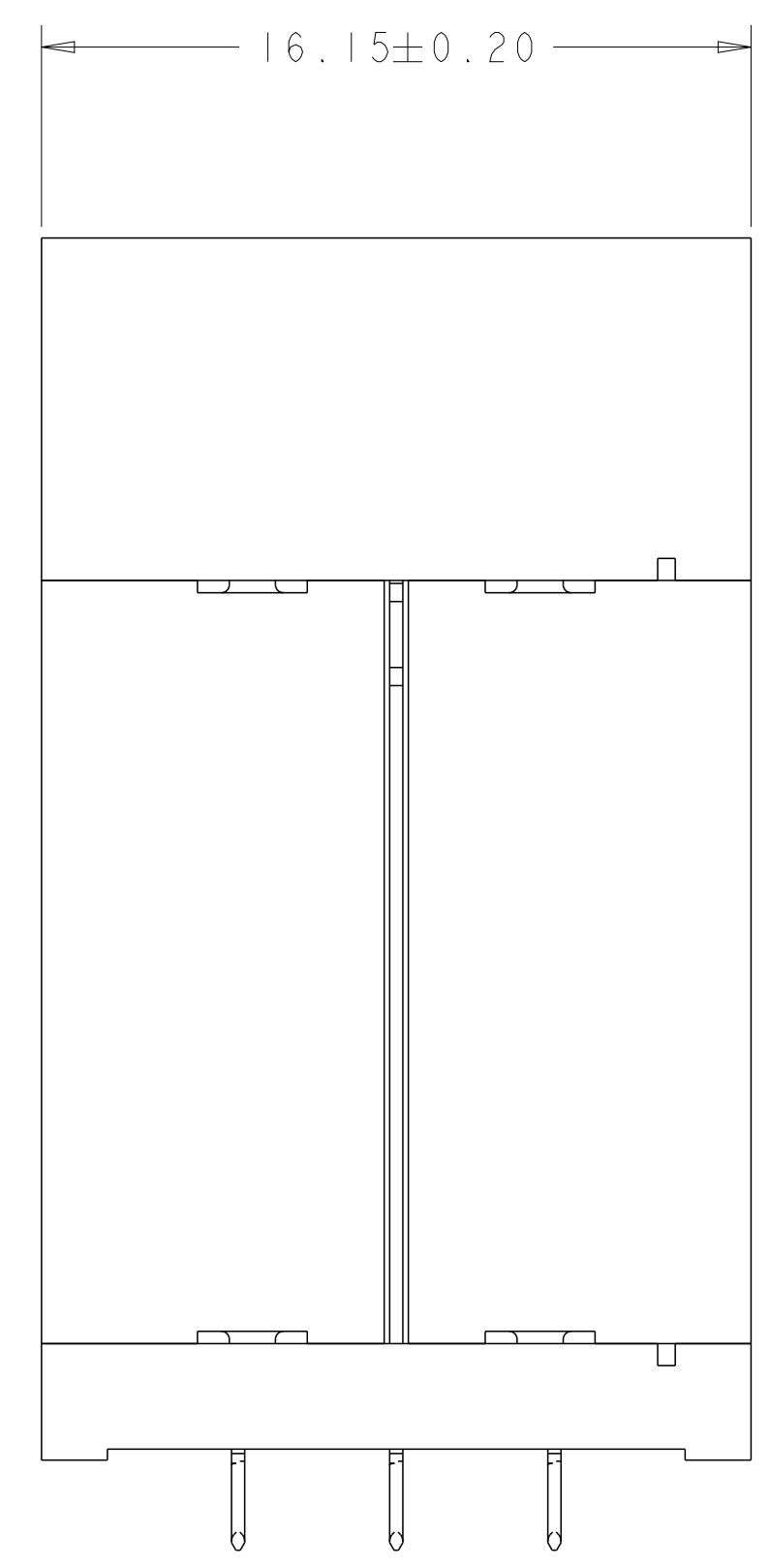
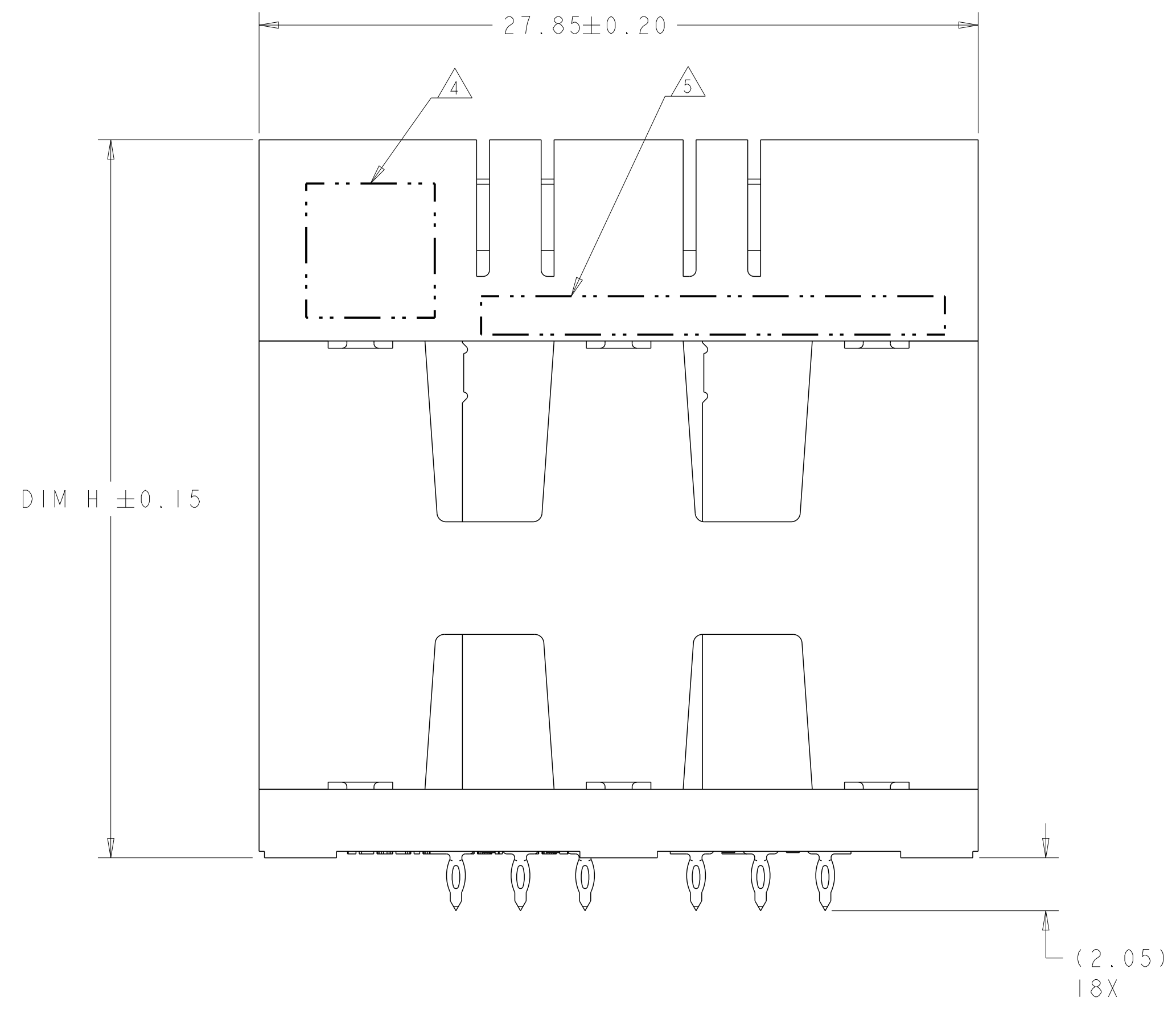
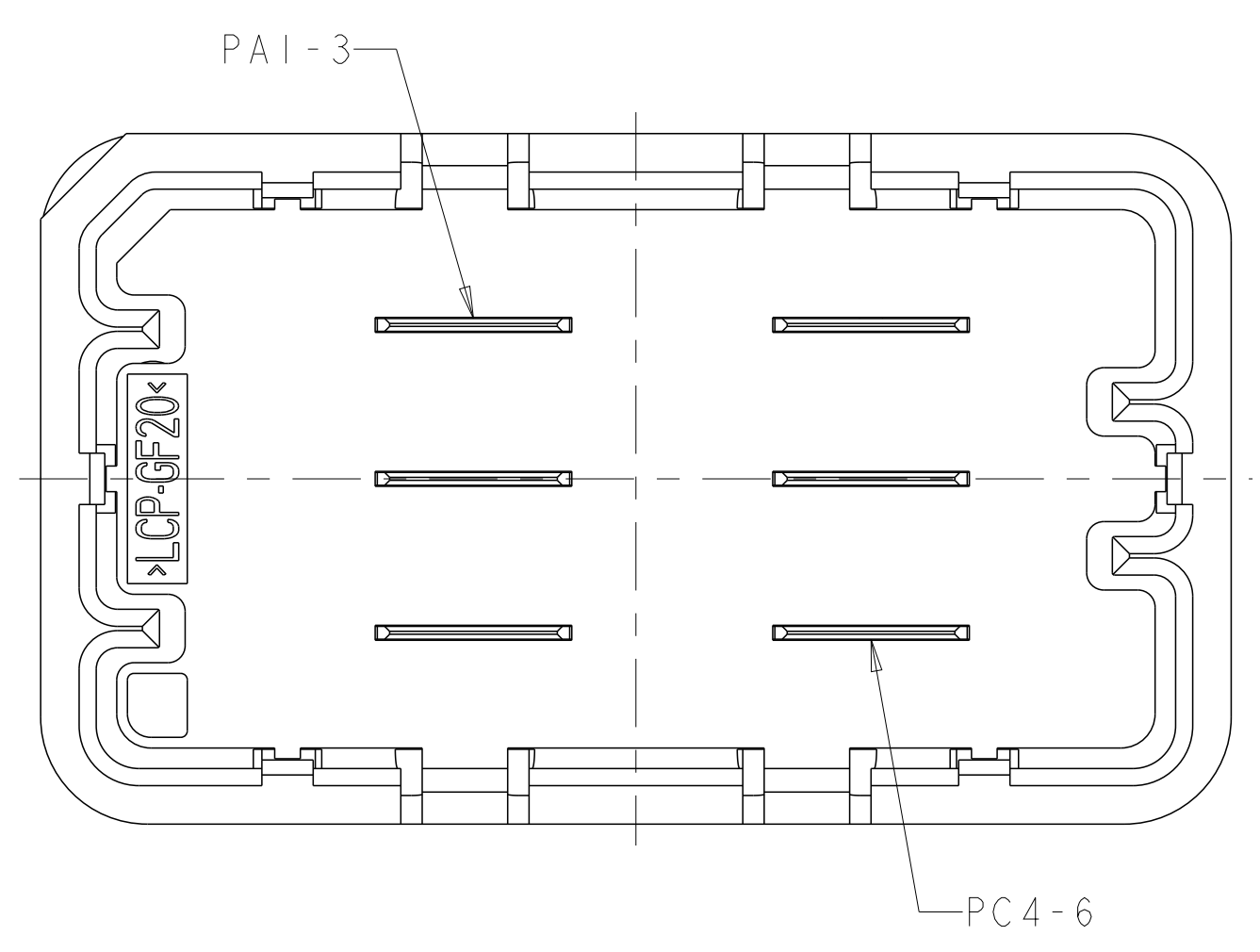


LOC	DIST	REVISIONS			
P	LTN	DESCRIPTION	DATE	DWN	APVD
GP	00	A	REVISED PER ECO-12-018933	31OCT12	KH MH
-	-	-	-	-	-
-	-	-	-	-	-



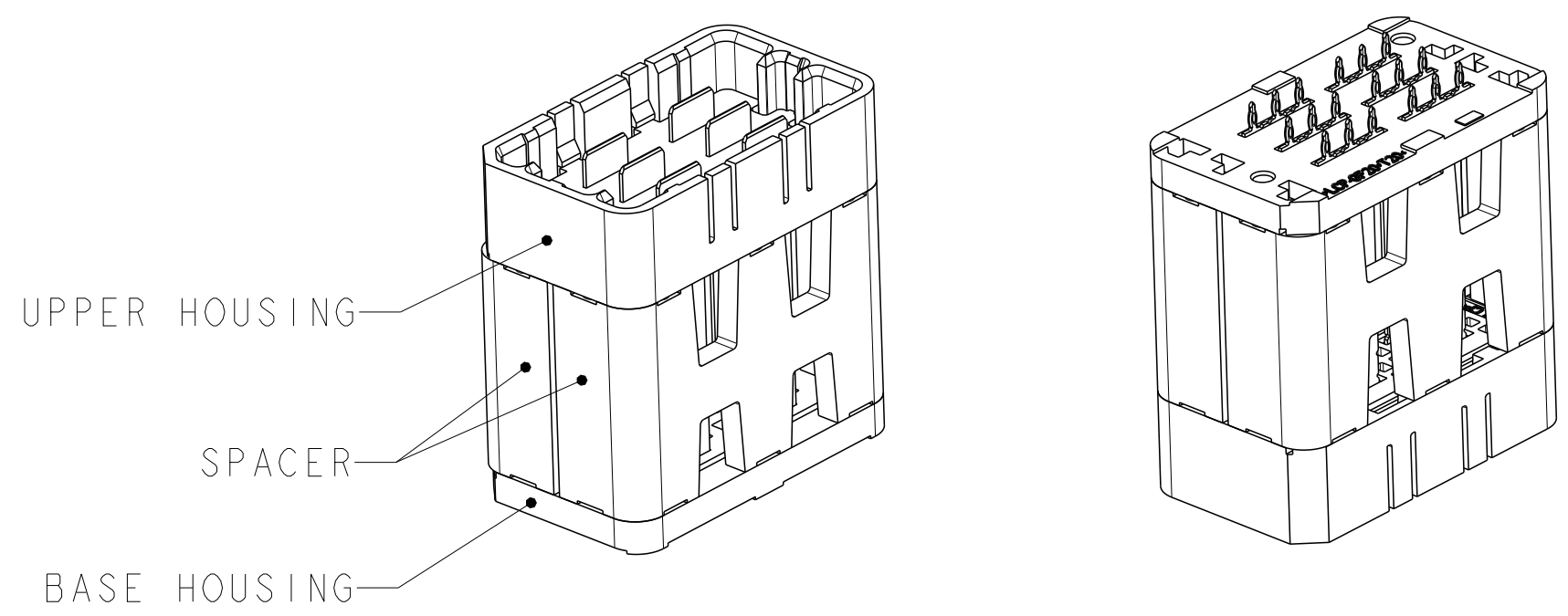
- △ MATERIAL:  
 BASE HOUSING, UPPER HOUSING, ORGANIZER,  
 AND SPACER: THERMOPLASTIC, FLAMMABILITY  
 RATING UL94 V-0  
 CONTACT: COPPER ALLOY
- 2. CONFORMS TO THE REQUIREMENTS OF TE PRODUCT  
 SPECIFICATION, 108-2375; BASED ON TELCORDIA  
 GR-1217-CORE FOR SYSTEM QUALITY LEVEL III,  
 APPLICATIONS IN CONTROLLED ENVIRONMENTS  
 (CENTRAL OFFICE).  
 SEE TE PRODUCT SPECIFICATION 108-2375 FOR  
 TEST SEQUENCES.
- △ 3. SPECIFIED POSITIONAL TOLERANCE DEFINES HOLE TO  
 HOLE LOCATION WITHIN HOLE PATTERN. POSITIONAL  
 TOLERANCE OF HOLE PATTERN TO FIDUCIAL MARKS  
 OR PCB DATUMS SHALL BE DEFINED BY CUSTOMER.
- △ 4. AREA RESERVED FOR TE CONNECTIVITY LOGO.
- △ 5. AREA RESERVED FOR PART NUMBER (X-XXXXXXX-X) AND  
 DATE CODE (YYWW).
- △ 6. USE CENTER LINES INDICATED ON PCB HOLE PATTERN  
 TO ESTABLISH ALIGNMENT BETWEEN HEADER AND  
 RECEPTACLE BOARDS.
- △ PLATED THROUGH HOLE REQUIREMENTS:  
 HOLE SIZE PRIOR TO PLATING =  $\varnothing 0.700 \pm 0.025$   
 COPPER PLATING THICKNESS =  $0.038 \pm 0.013$   
 CALCULATED FINISHED HOLE SIZE =  $\varnothing 0.624 \pm 0.051$   
 THESE DIMENSIONS APPLY TO THE TOP 1.50mm OF  
 THE PCB THICKNESS FROM THE CONNECTOR MOUNTING  
 SIDE.
- △ CONTACT SALES FOR AVAILABILITY OF THIS STACK  
 HEIGHT.

**SIZE 1 HALF-WIDE \***  
**6 POWER CONTACTS**

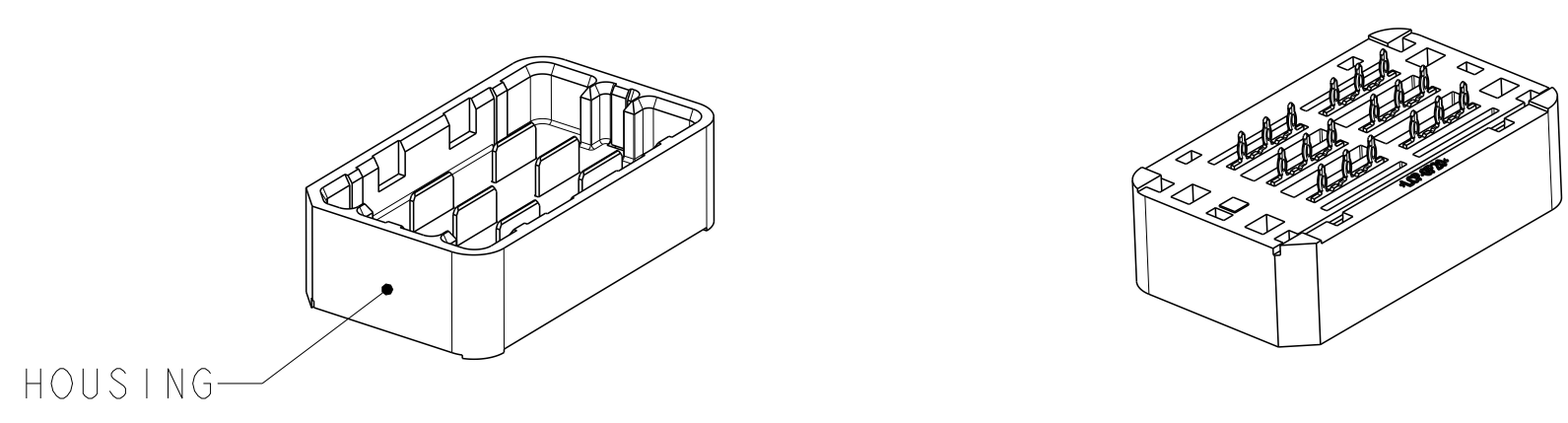
\* SIZE 2 AND SIZE 3 ARE ALSO AVAILABLE

THIS DRAWING IS A CONTROLLED DOCUMENT.		DWN HAMNER 02NOV2010	TE Connectivity
DIMENSIONS:		CHK D. TROUT 03NOV2010	
mm	TOLERANCES UNLESS OTHERWISE SPECIFIED:	APVD J. FEDDER 03NOV2010	NAME HEADER ASSEMBLY, HALF-WIDE, 6P, STRADA MESA MEZZANINE CONNECTOR
0 PLC ± 1 PLC ±0.13 2 PLC ±0.013 3 PLC ± 4 PLC ± ANGLES ±1 FINISH	0 PLC ± 1 PLC ±0.13 2 PLC ±0.013 3 PLC ± 4 PLC ± ANGLES ±1 FINISH	PRODUCT SPEC 108-2375 APPLICATION SPEC 114-13249 WEIGHT Customer Drawing	SIZE A100779 CAGE CODE C=2149520 RESTRICTED TO SCALE 6:1 SHEET 1 OF 4 REV A

LOC	DIST	REVISIONS					
GP	00	P	LYN	DESCRIPTION	DATE	OWN	APVD
		-	-	SEE SHEET 1	-	-	-



ISOMETRIC VIEW  
 TYPICAL CONFIGURATION FOR 14mm THRU 42mm  
 28mm SHOWN  
 SCALE 2:1



ISOMETRIC VIEWS  
 TYPICAL CONFIGURATION FOR 8mm THRU 13mm  
 8mm SHOWN  
 SCALE 2:1

TOOLED	DIM H	STACK HEIGHT	CONTACT TAIL PLATING	PART NUMBER
△	41.8	42mm	MATTE Sn	9-2149520-2
△	40.8	41mm	MATTE Sn	9-2149520-1
YES	39.8	40mm	MATTE Sn	9-2149520-0
△	38.8	39mm	MATTE Sn	8-2149520-9
△	37.8	38mm	MATTE Sn	8-2149520-8
△	36.8	37mm	MATTE Sn	8-2149520-7
△	35.8	36mm	MATTE Sn	8-2149520-6
△	34.8	35mm	MATTE Sn	8-2149520-5
△	33.8	34mm	MATTE Sn	8-2149520-4
△	32.8	33mm	MATTE Sn	8-2149520-3
△	31.8	32mm	MATTE Sn	8-2149520-2
△	30.8	31mm	MATTE Sn	8-2149520-1
△	29.8	30mm	MATTE Sn	8-2149520-0
△	28.8	29mm	MATTE Sn	7-2149520-9
△	27.8	28mm	MATTE Sn	7-2149520-8
△	26.8	27mm	MATTE Sn	7-2149520-7
△	25.8	26mm	MATTE Sn	7-2149520-6
YES	24.8	25mm	MATTE Sn	7-2149520-5
△	23.8	24mm	MATTE Sn	7-2149520-4
△	22.8	23mm	MATTE Sn	7-2149520-3
YES	21.8	22mm	MATTE Sn	7-2149520-2
△	20.8	21mm	MATTE Sn	7-2149520-1
△	19.8	20mm	MATTE Sn	7-2149520-0
△	18.8	19mm	MATTE Sn	6-2149520-9
△	17.8	18mm	MATTE Sn	6-2149520-8
△	16.8	17mm	MATTE Sn	6-2149520-7
△	15.8	16mm	MATTE Sn	6-2149520-6
△	14.8	15mm	MATTE Sn	6-2149520-5
△	13.8	14mm	MATTE Sn	6-2149520-4
△	12.8	13mm	MATTE Sn	6-2149520-3
△	11.8	12mm	MATTE Sn	6-2149520-2
△	10.8	11mm	MATTE Sn	6-2149520-1
△	9.8	10mm	MATTE Sn	6-2149520-0
△	8.8	9mm	MATTE Sn	5-2149520-9
△	7.8	8mm	MATTE Sn	5-2149520-8

TOOLED	DIM H	STACK HEIGHT	CONTACT TAIL PLATING	PART NUMBER
△	41.8	42mm	Sn/Pb	4-2149520-2
△	40.8	41mm	Sn/Pb	4-2149520-1
YES	39.8	40mm	Sn/Pb	4-2149520-0
△	38.8	39mm	Sn/Pb	3-2149520-9
△	37.8	38mm	Sn/Pb	3-2149520-8
△	36.8	37mm	Sn/Pb	3-2149520-7
△	35.8	36mm	Sn/Pb	3-2149520-6
△	34.8	35mm	Sn/Pb	3-2149520-5
△	33.8	34mm	Sn/Pb	3-2149520-4
△	32.8	33mm	Sn/Pb	3-2149520-3
△	31.8	32mm	Sn/Pb	3-2149520-2
△	30.8	31mm	Sn/Pb	3-2149520-1
△	29.8	30mm	Sn/Pb	3-2149520-0
△	28.8	29mm	Sn/Pb	2-2149520-9
△	27.8	28mm	Sn/Pb	2-2149520-8
△	26.8	27mm	Sn/Pb	2-2149520-7
△	25.8	26mm	Sn/Pb	2-2149520-6
YES	24.8	25mm	Sn/Pb	2-2149520-5
△	23.8	24mm	Sn/Pb	2-2149520-4
△	22.8	23mm	Sn/Pb	2-2149520-3
YES	21.8	22mm	Sn/Pb	2-2149520-2
△	20.8	21mm	Sn/Pb	2-2149520-1
△	19.8	20mm	Sn/Pb	2-2149520-0
△	18.8	19mm	Sn/Pb	1-2149520-9
△	17.8	18mm	Sn/Pb	1-2149520-8
△	16.8	17mm	Sn/Pb	1-2149520-7
△	15.8	16mm	Sn/Pb	1-2149520-6
△	14.8	15mm	Sn/Pb	1-2149520-5
△	13.8	14mm	Sn/Pb	1-2149520-4
△	12.8	13mm	Sn/Pb	1-2149520-3
△	11.8	12mm	Sn/Pb	1-2149520-2
△	10.8	11mm	Sn/Pb	1-2149520-1
△	9.8	10mm	Sn/Pb	1-2149520-0
△	8.8	9mm	Sn/Pb	2149520-9
△	7.8	8mm	Sn/Pb	2149520-8

THIS DRAWING IS A CONTROLLED DOCUMENT. DIM HAMNER 02NOV2010  
 CHK D. TROUT 03NOV2010  
 APVD J. FEDDER 03NOV2010

**STE** TE Connectivity

NAME: HEADER ASSEMBLY, HALF-WIDE, 6P, STRADA MESA MEZZANINE CONNECTOR

PRODUCT SPEC: 108-2375  
 APPLICATION SPEC: 114-13249

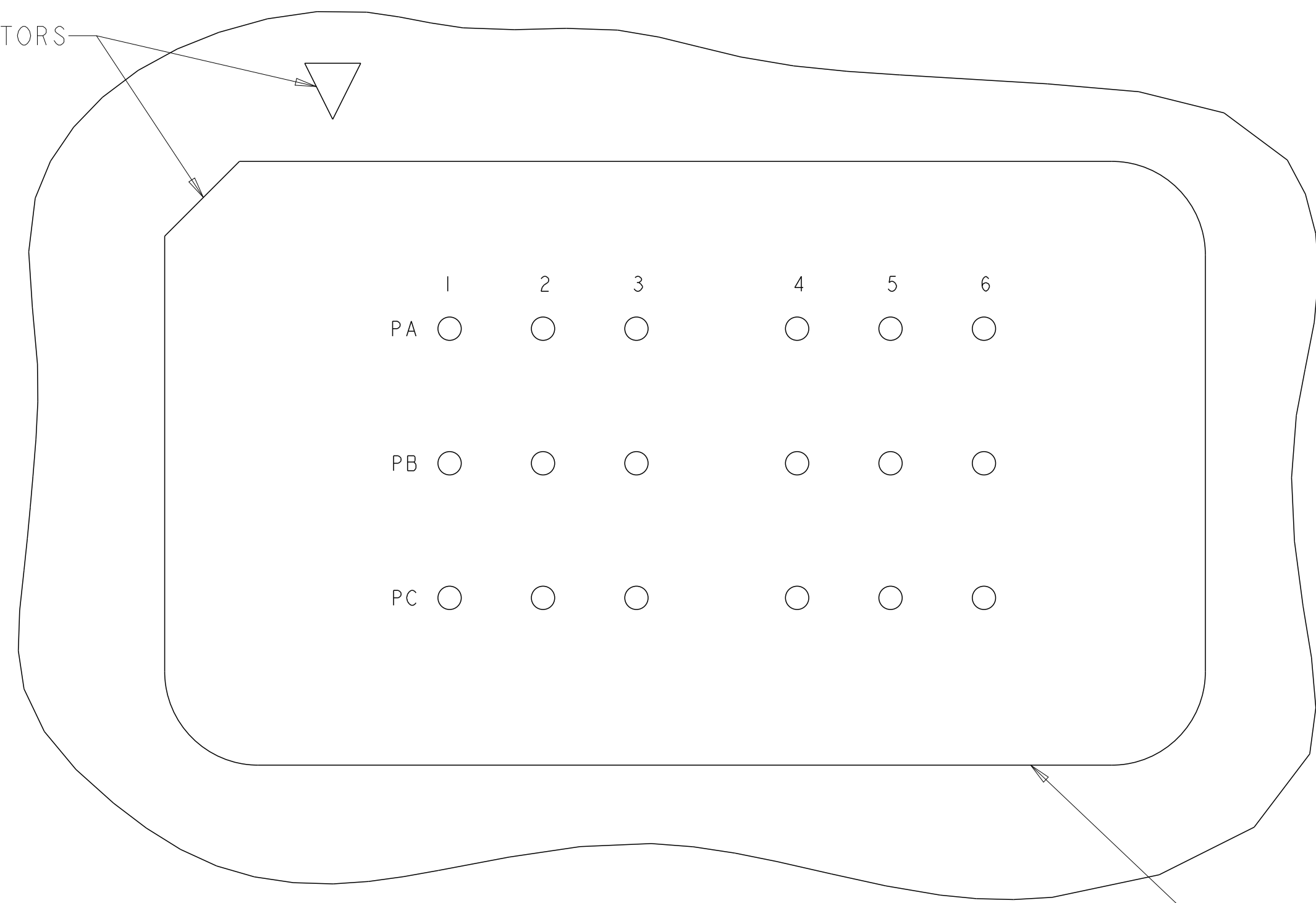
SIZE: A1 CAGE CODE: 2149520 DRAWING NO: 100779  
 WEIGHT: -

Customer Drawing SCALE: 6:1 SHEET 2 OF 4 REV A

THIS DRAWING IS UNPUBLISHED. RELEASED FOR PUBLICATION 20  
 © COPYRIGHT 20 BY - ALL RIGHTS RESERVED.

LOC	DIST	REVISIONS			
P	LTN	DESCRIPTION	DATE	DWN	APVD
-	-	SEE SHEET 1	-	-	-

AI CORNER INDICATORS



MATED CONNECTOR OUTLINE  
 SEE SHEET 4 FOR LOCATION TO HOLES

**PCB LAYOUT AND PIN IDENTIFICATION**  
 SHOWN FROM CONNECTOR SIDE  
 SCALE 8:1

THIS DRAWING IS A CONTROLLED DOCUMENT.		DWN HAMNER 02NOV2010	TE Connectivity
DIMENSIONS:		CHK D. TROUT 03NOV2010	
mm	TOLERANCES UNLESS OTHERWISE SPECIFIED:	APVD J. FEDDER 03NOV2010	NAME HEADER ASSEMBLY, HALF-WIDE, 6P, STRADA MESA MEZZANINE CONNECTOR
0 PLC ±	1 PLC ±	PRODUCT SPEC 108-2375	SIZE A100779
2 PLC ±0.13	3 PLC ±0.013	APPLICATION SPEC 114-13249	CAGE CODE C=2149520
4 PLC ±	ANGLES ±1	WEIGHT	RESTRICTED TO
MATERIAL	FINISH	Customer Drawing	SCALE 6:1 SHEET 3 OF 4 REV A