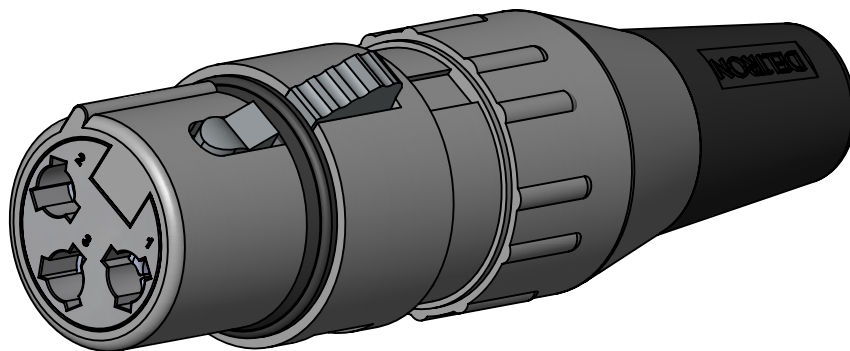
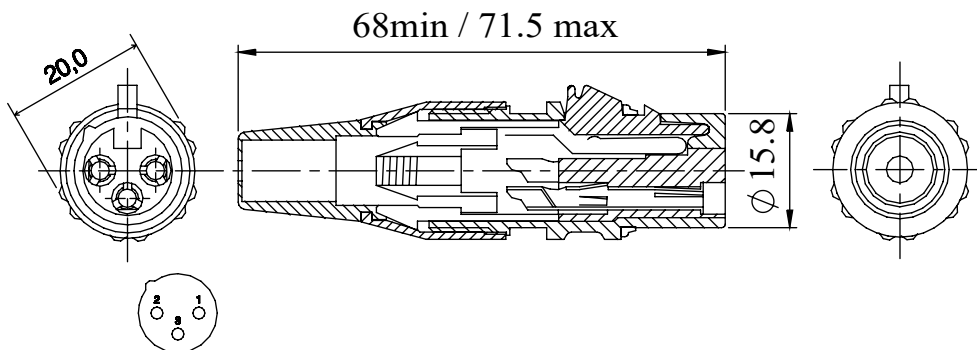


A RANGE OF AUDIO AND VIDEO CONNECTORS INCORPORATING MANY INNOVATIVE FEATURES. ASSEMBLY AND DISASSEMBLY IS ACHIEVED BY A FEW QUICK TURNS OF THE BACK SHELL. INTERNAL DESIGN FEATURES ALLOW FOR A QUICK AND SIMPLE INSERT ASSEMBLY. PRESSED SOCKET CONTACTS WHICH 'FLOAT' TO ASSIST PLUG MATING ALSO ENSURING A POSITIVE 'WRAP-ROUND' CONTACT WITH THE PIN, SINCE THEY CAN 'MOVE' WITH THE PINS SHOULD ANY MOVEMENT OCCUR BETWEEN MATING CONNECTORS. A SINGLE PIECE LATCH WHICH IS SIMPLE TO OPERATE, MATING SMOOTHLY WITH BOTH LATCHING AND NON-LATCHING CONNECTORS. THE STRAIN RELIEF COLLET ENSURES A POSITIVE CABLE GRIP.



### DIMENSIONS



INSERT ARRANGEMENTS

### MATERIALS

HOUSING	DIE CAST ALLOY
	SATIN NICKEL OR BLACK PLATE
PIN BASE	VALOX
CONTACTS	PRESSED BRONZE
	SILVER OR GOLD PLATE
EARTH	SPRING STEEL, SILVER PLATED
STRAIN RELIEF	PVC
CHUCK	ACETAL (UL94 HB)
SEALING RING	SANTOPRENE (UL94 HB)

### ELECTRICAL

RATED VOLTAGE	50 V a.c.
TEST VOLTAGE	1000 V r.m.s.
INSULATION RESISTANCE	
AFTER DAMP HEAT	500 MΩ
CONTACT RESISTANCE	10 mΩ MAX
CURRENT RATING @ 40°	15 amp
CURRENT RATING @ 70°	7.5 amp
TERMINAL WIRE SIZE	2.5mm <sup>2</sup> /14 AWG

### CLIMATIC

CLIMATIC CATEGORY	25/070/04
TEMPERATURE RANGE	-25°C TO 70°C
DAMPHEAT, STEADY STATE	4 DAYS

PART No	SILVER CONTACTS		GOLD CONTACTS	
	NICKEL	BLACK	NICKEL	BLACK
3 WAY	700-0300	708-0300	704-0300	712-0300

**PROPRIETARY AND CONFIDENTIAL:**  
 THE INFORMATION CONTAINED IN THIS DRAWING IS THE SOLE PROPERTY OF ALPHA 3 MANUFACTURING. ANY REPRODUCTION IN PART OR AS A WHOLE WITHOUT THE WRITTEN PERMISSION OF ALPHA 3 MANUFACTURING IS PROHIBITED.  
 DEM Manufacturing is a division of Alpha 3 Manufacturing LTD  
 DEM Manufacturing, Deltron Emcon House, Hargreaves Way, Sawcliffe Ind. Park, Scunthorpe, North Lincolnshire, DN15 8RF, UK

UNLESS OTHERWISE SPECIFIED DIMENSIONS ARE IN MILLIMETRES LINEAR & RADIAL TOLERANCE:  
**GENERAL SPECIFICATION ONLY**

**IF IN DOUBT ASK! DO NOT SCALE DRAWING!**  
 FINISH SEE NOTES  
 MATERIAL SEE NOTE  
 THE FINISHED PRODUCT SHOULD BE CLEAN AND FREE FROM ALL LIQUIDS AND DEBRIS. SURFACES SHOULD BE OF UNIFORM APPEARANCE FREE FROM SHARP EDGES, BURRS AND CORROSION

THIRD ANGLE PROJECTION

AUTHOR	SB	TITLE	GENERAL SPECIFICATION	
EDITOR	DT	FILE	700-704-708-712 3 WAY	
APPROVER	DT	PART	3 WAY CONNECTOR	
	SHEET 1 OF 1	ISSUE/REV.	010	EDIT DATE 07/09/2021
	SCALE 1:1 A4		RELEASED	RELEASE DATE 07/09/2021