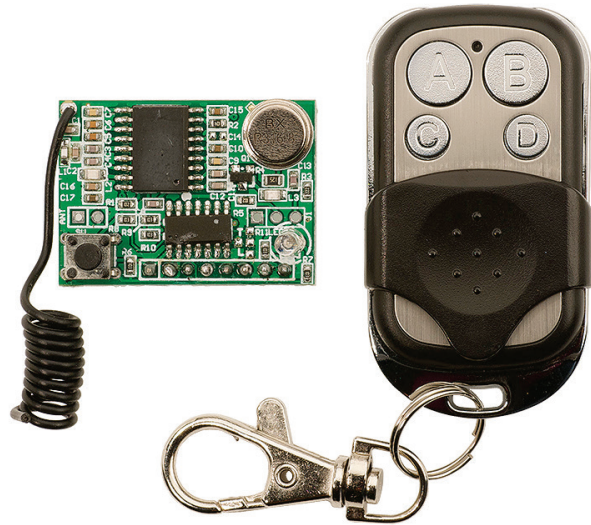


## Key Fob Remote (#700-10016)

The Key Fob Remote is a simple device that lets you control four outputs on the included Receiver PCB. Just press a button on the Remote to make the corresponding output pins on the Receiver PCB send a 5 V high signal. It's an affordable way to add wireless human input to your projects.



### Features

- 4 channel control
- Signal indicator LED
- Remote and Receiver PCB are pre-synchronized
- Up to 50 foot line-of sight range
- Source 40 mA per Receiver channel @ 5 VDC for your projects
- Pre-installed battery in the remote

### Key Specifications

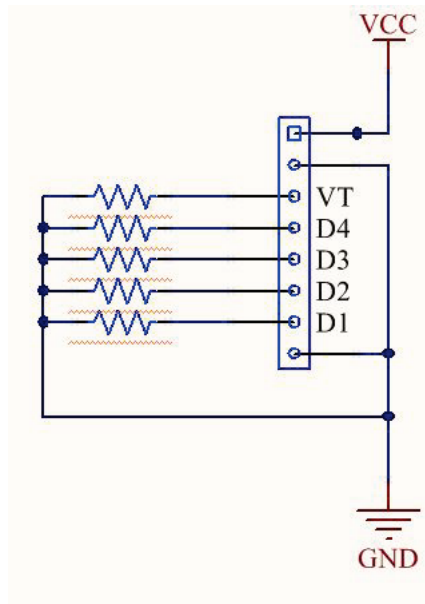
- Operating frequency: 316 MHz band
- Standard 0.1" pin spacing
- Range: Up to 50 feet (15.25 meters) line-of-sight
- Power requirements: 5.0 VDC; 40 mA @ 5 VDC per receiver channel
- Communication: TTL level
- Receiver PCB Dimensions: 1.34 x 0.96 in (3.40 x 2.44 cm)
- Operating temp range: -4 to +158 °F (-20 to +70 °C )

### Application Ideas

- Remote lighting activator
- Keyless access
- Remote digital sign controller

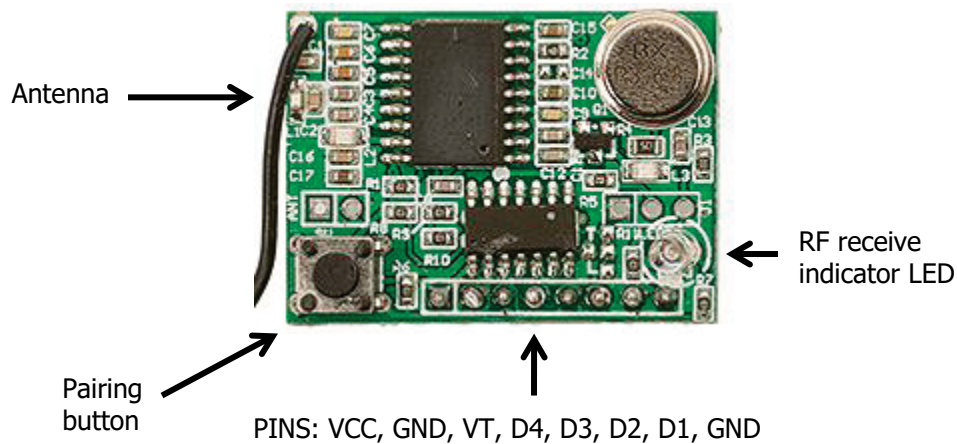
## Connection Diagram

The representation below shows a typical interface to the Key Fob Receiver Board. Resistors indicate your added devices (e.g. microcontroller I/O pin, relay, etc...).



## Receiver Board

The receiver board only needs 5 VDC on the VCC pin. Once it is powered up, you are ready to connect "VT" or any of the "D" pins to your project.



The Receiver Board has a pre-soldered antenna in "ANT2". To add even more range to the receiver you can add your own antenna to "ANT1" on the receiver board.