

M8 male 0° A-cod. with cable

PVC 3x0.25 gy UL/CSA 1.5m

Male straight

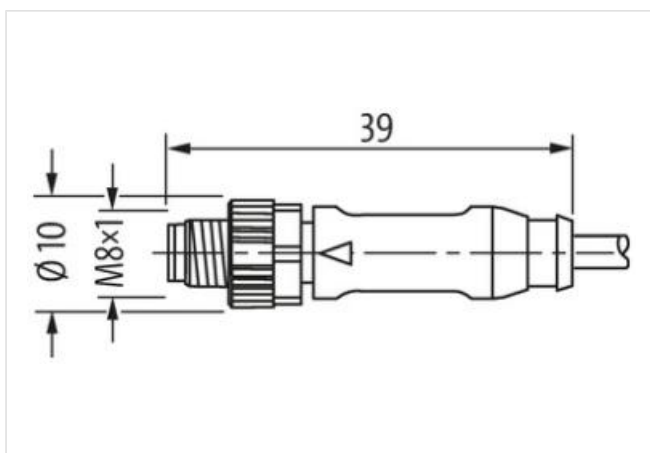
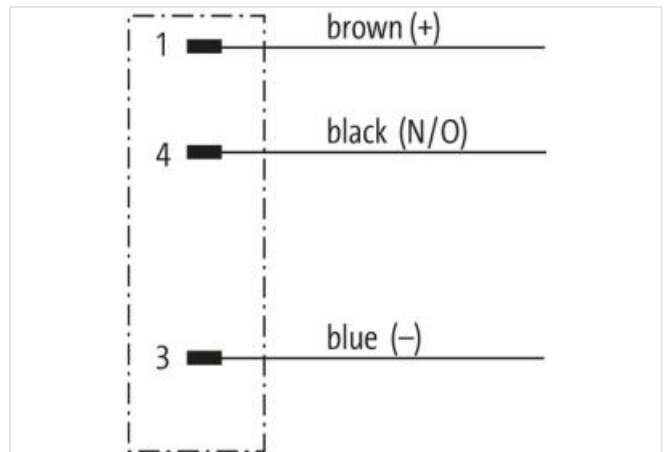
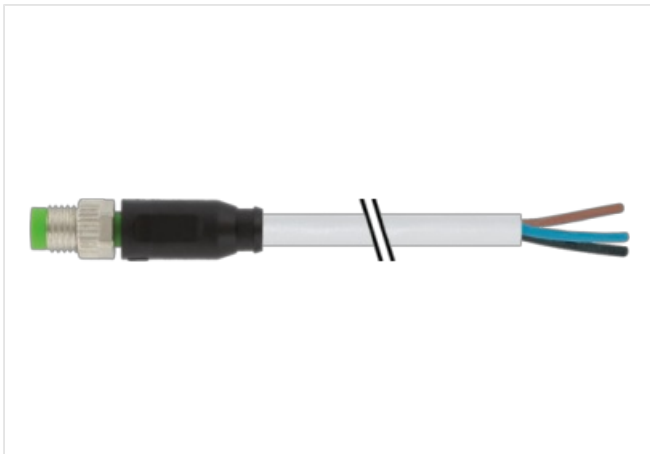
M8, 3-pole

Art-No. 7005 - M8 Lite - (plastic hexagonal screw) on request with cable sleeves

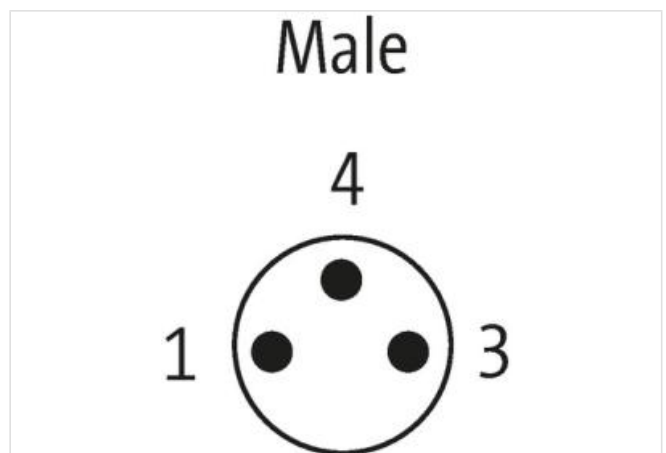
Plastic housings with good resistance against chemicals and oils.

The resistance to aggressive media should be individually tested for your application. Further details on request.

Further cable lengths on request.

[Link to Product](#)**Illustration**

Product may differ from Image



Cable length

1,5 m

Side 1

Tightening torque head 1	0,4 Nm
Mounting method	inserted, screwed
Coating contact head 1	gold plated
Family form head 1	M8
Thread	M8 x 1
Inner diameter contour for corrugated hose head 1	6,5 mm
Material contact	Copper alloy
Material head 1	PUR
Number of poles head 1	3
Width across flats head 1	SW9
Degree of protection (EN IEC 60529)	IP65, IP66K, IP67

Side 2

Stripping length (jacket)	20 mm
Coating contact head 2	gold plated

Commercial data

ECLASS-6.0	27279218
ECLASS-6.1	27279218
ECLASS-7.0	27279218
ECLASS-8.0	27279218
ECLASS-9.0	27060311
ECLASS-10.1	27060311
ECLASS-11.1	27060311
ECLASS-12.0	27060311
ETIM-5.0	EC001855
customs tariff number	85444290
GTIN	4048879234030
Packaging unit	1

Electrical data | Supply

Operating voltage AC (UL-listed)	30 V
Operating voltage AC max.	50 V
Operating voltage DC (UL-listed)	30 V
Operating voltage DC max.	60 V
Current operating per contact max.	4 A

Diagnostics

Status indication LED	no
-----------------------	----

Installation | Connection

Stripping length (jacket)	20 mm
Mounting set	M8 x 1

Device protection | Electrical

Rated surge voltage	1,5 kV
Material group (IEC 60664-1)	I
Protection degree additional condition	inserted, screwed
Pollution Degree	3

Mechanical data | Material data

Coating locking	Nickeled
Coating of fitting	nickel plated
Locking material	Zinc die-casting
	Brass

Mechanical data | Mounting data