

M8 male 0° A-cod. with cable

PUR 3x0.25 gy UL/CSA+drag ch. 10m

Male straight

M8, 3-pole

Art-No. 7005 - M8 Lite - (plastic hexagonal screw) on request with cable sleeves

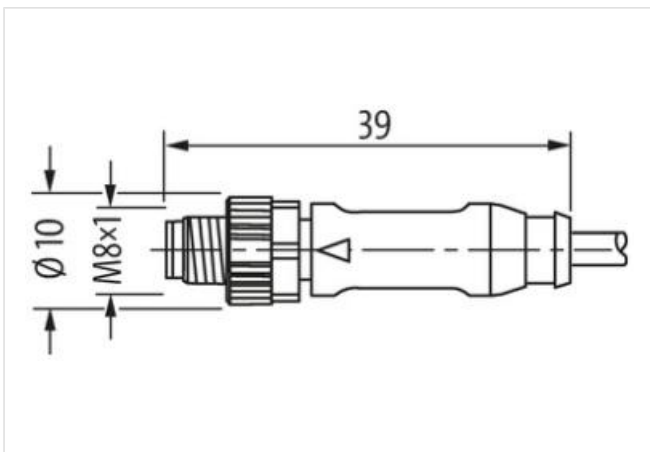
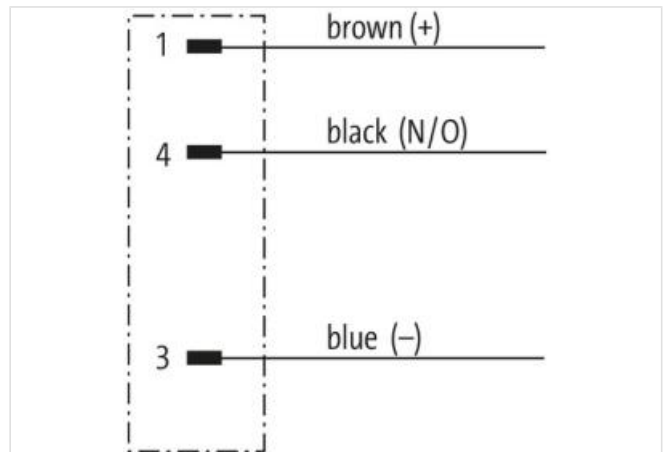
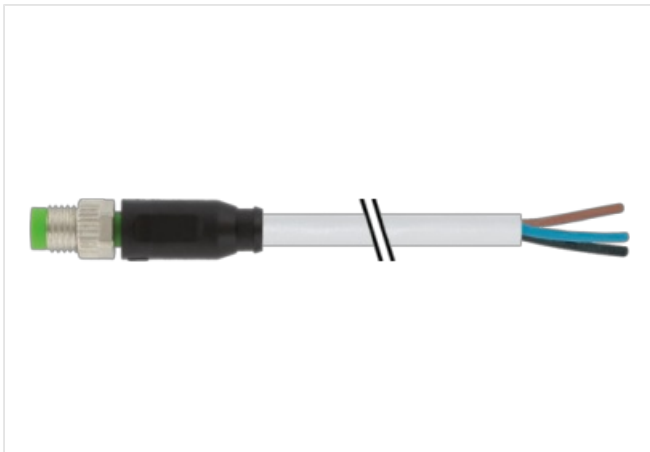
Plastic housings with good resistance against chemicals and oils.

The resistance to aggressive media should be individually tested for your application. Further details on request.

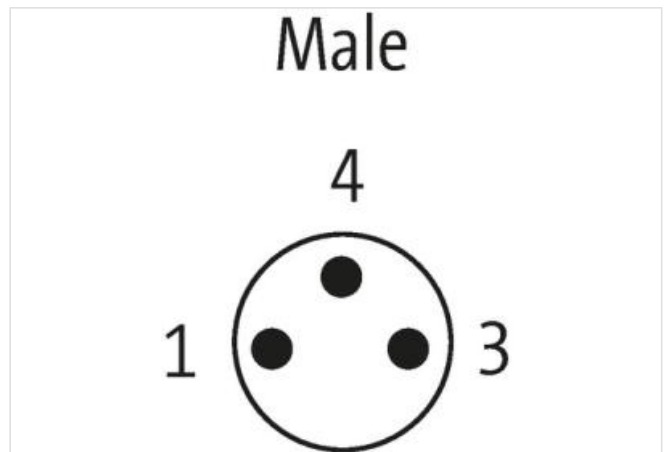
Further cable lengths on request.

[Link to Product](#)

Illustration



Product may differ from Image



Cable length

10 m

Side 1

| | |
|---|-------------------|
| Tightening torque head 1 | 0,4 Nm |
| Mounting method | inserted, screwed |
| Coating contact head 1 | gold plated |
| Family form head 1 | M8 |
| Thread | M8 x 1 |
| Inner diameter contour for corrugated hose head 1 | 6,5 mm |
| Material contact | Copper alloy |
| Material head 1 | PUR |
| Number of poles head 1 | 3 |
| Width across flats head 1 | SW9 |
| Degree of protection (EN IEC 60529) | IP65, IP66K, IP67 |

Side 2

| | |
|---------------------------|-------------|
| Stripping length (jacket) | 20 mm |
| Coating contact head 2 | gold plated |

Commercial data

| | |
|-----------------------|---------------|
| ECLASS-6.0 | 27279218 |
| ECLASS-6.1 | 27279218 |
| ECLASS-7.0 | 27279218 |
| ECLASS-8.0 | 27279218 |
| ECLASS-9.0 | 27060311 |
| ECLASS-10.1 | 27060311 |
| ECLASS-11.1 | 27060311 |
| ECLASS-12.0 | 27060311 |
| ETIM-5.0 | EC001855 |
| customs tariff number | 85444290 |
| GTIN | 4048879233781 |
| Packaging unit | 1 |

Electrical data | Supply

| | |
|------------------------------------|------|
| Operating voltage AC (UL-listed) | 30 V |
| Operating voltage AC max. | 50 V |
| Operating voltage DC (UL-listed) | 30 V |
| Operating voltage DC max. | 60 V |
| Current operating per contact max. | 4 A |

Diagnostics

| | |
|-----------------------|----|
| Status indication LED | no |
|-----------------------|----|

Installation | Connection

| | |
|---------------------------|--------|
| Stripping length (jacket) | 20 mm |
| Mounting set | M8 x 1 |

Device protection | Electrical

| | |
|--|-------------------|
| Rated surge voltage | 1,5 kV |
| Material group (IEC 60664-1) | I |
| Protection degree additional condition | inserted, screwed |
| Pollution Degree | 3 |

Mechanical data | Material data

| | |
|--------------------|------------------|
| Coating locking | Nickeled |
| Coating of fitting | nickel plated |
| Locking material | Zinc die-casting |
| | Brass |

Mechanical data | Mounting data