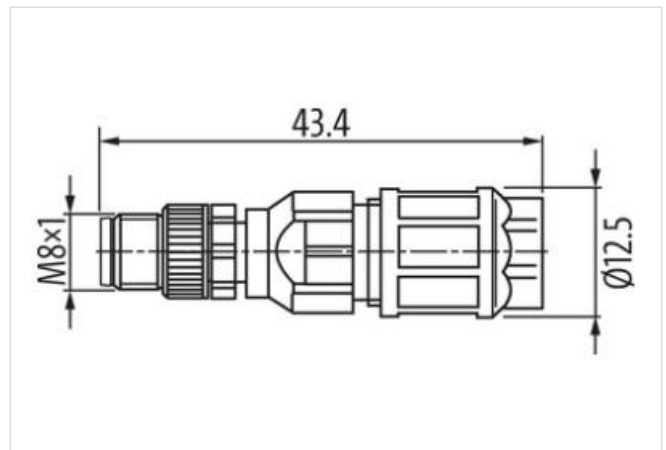
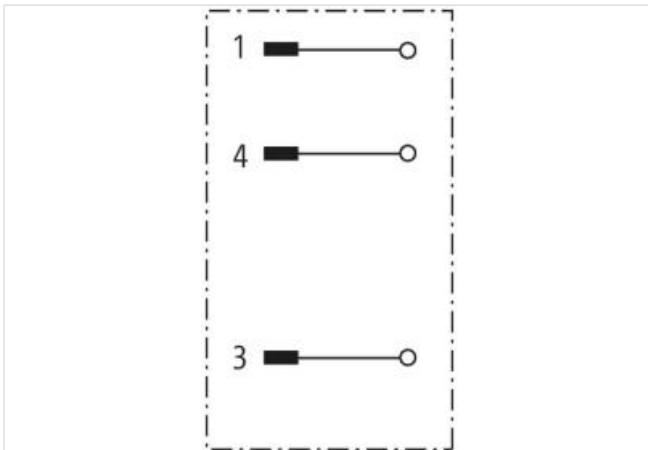
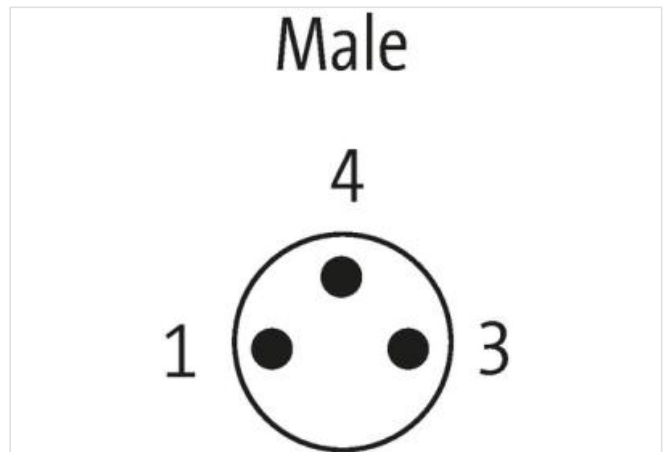


M8 male 0° A-cod. IDC3-pol., 0,25 - 0,5mm², 2,5 - 5mm

IDC terminals

Male straight

M8, 3-pole

Connection cross section: 0.25...0.5 mm²[Link to Product](#)**Illustration**

Product may differ from Image

**Technical Data**

Operating voltage	max. 48 V AC/60 V DC
Rated surge voltage	0.8 kV
Operating current per contact	max. 4 A
No. of poles	3
Material group	IEC 60664-1, category III
Mating cycles	≥ 100

The information in this Product-PDF has been compiled with the utmost care.

Liability for the correctness completeness and topicality of the information is restricted to gross negligence. Version: 2023-09-07

Murrelektronik Inc. | 1327 Northbrook Parkway, Suite 460 | Suwanee, GA 30024 | Fon +1 770 497-9292 | Fax +1 770 497-9391 | shop@murrinc.com | shop.murrinc.com

Locking of ports	Screw thread (M8×1 mm)
Connection cross section	0.25...0.5 mm ²
Sealing range (cable Ø)	2.5...5.0 mm
Protection	IP65 and IP67 when plugged and screwed down (EN 60529)
Material	PA
Locking material	Zinc die casting, matte nickel plated
Compression gland	Hexagonal screw/nut
Outer wire Ø	1.1...1.55 mm
Isolation resistance	≥ 100 MΩ
Contact resistance	≤ 10 mΩ
Over voltage category	2

General data

Standards	DIN EN 61076-2-104 (M8)
Mounting method	inserted, tightened
Material contact	Copper alloy
Material contact surface	Au
Material gasket	NBR
Pollution Degree	3
Temperature range	-25...+80 °C
Material contact carrier	TPU
Connection	IDC terminal