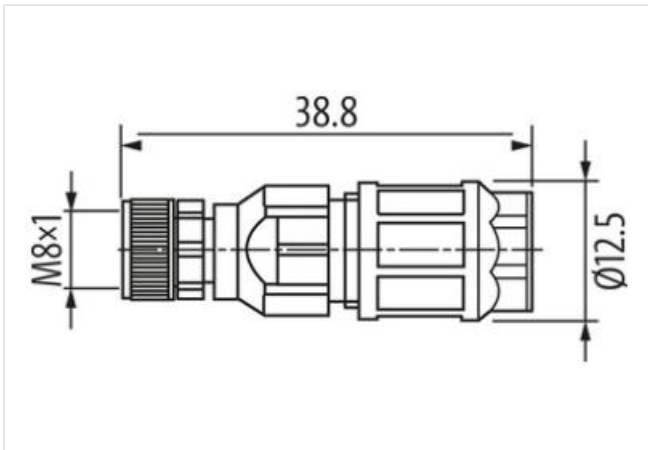
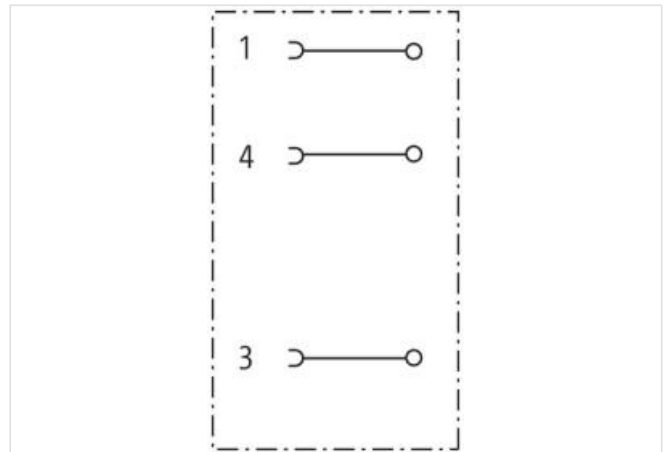


M8 female 0° A-cod. IDC3-pol., 0,25 - 0,5mm², 2,5 - 5mm

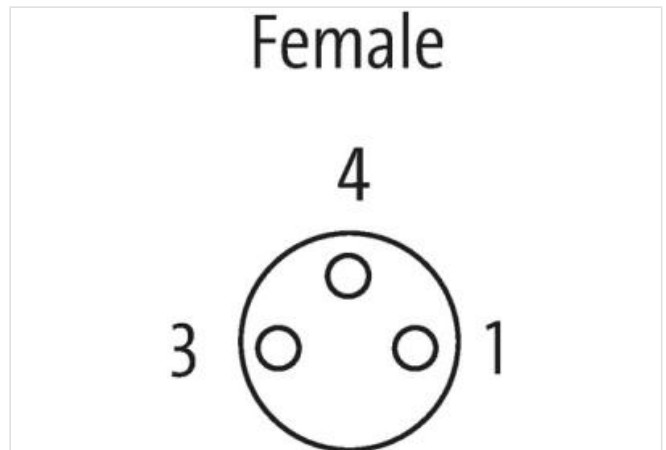
IDC terminals

Female straight

M8, 3-pole

Connection cross section: 0.25...0.5 mm²[Link to Product](#)**Illustration**

Product may differ from Image

**classifications**

ECLASS-6.0	27279221
ECLASS-7.0	27440104
ECLASS-8.0	27440104
ECLASS-9.0	27440102
ECLASS-10.1	27440102
ECLASS-11.1	27440102

ECLASS-12.0	27440116
ETIM-5.0	EC002635

Technical Data

Operating voltage	max. 48 V AC/60 V DC
Rated surge voltage	0.8 kV
Operating current per contact	max. 4 A
No. of poles	3
Material group	IEC 60664-1, category III
Mating cycles	≥ 100
Locking of ports	Screw thread (M8x1 mm)
Connection cross section	0.25...0.5 mm ²
Sealing range (cable Ø)	2.5...5.0 mm
Protection	IP65 and IP67 when plugged and screwed down (EN 60529)
Material	PA
Locking material	Zinc die casting, matte nickel plated
Compression gland	Hexagonal screw/nut
Outer wire Ø	1.1...1.55 mm
Isolation resistance	≥ 100 MΩ
Contact resistance	≤ 10 mΩ
Over voltage category	2

General data

Standards	DIN EN 61076-2-104 (M8)
Mounting method	inserted, tightened
Material contact	Copper alloy
Material contact surface	Au
Material gasket	NBR
Pollution Degree	3
Temperature range	-25...+80 °C
Material contact carrier	TPU
Connection	IDC terminal

Commercial data

customs tariff number	85366990
GTIN	4048879784801
Packaging unit	1