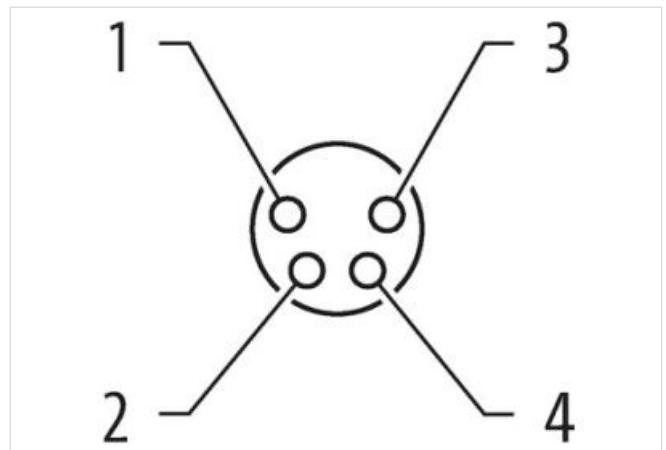
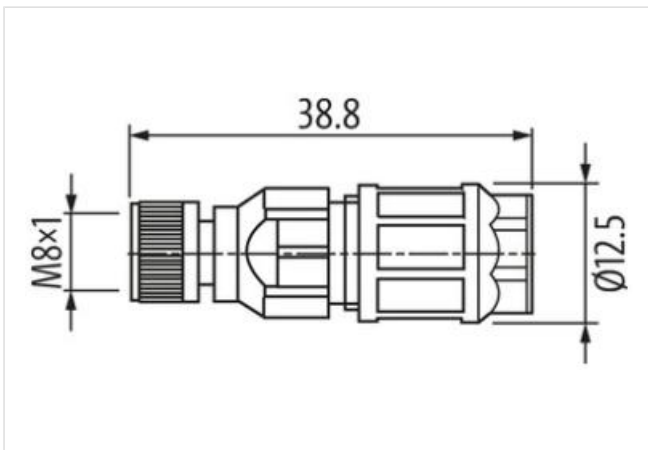
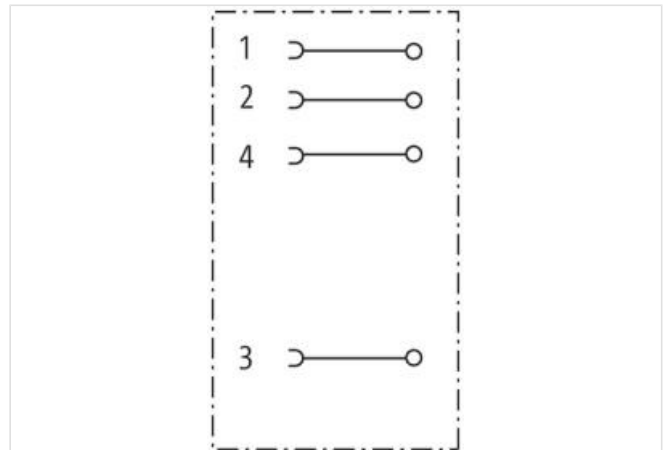


**M8 female 0° A-cod. IDC**4-pol., 0,25 - 0,5mm<sup>2</sup>, 2,5 - 5mm

IDC terminals

Female straight

M8, 4-pole

Connection cross section: 0.25...0.5 mm<sup>2</sup>[Link to Product](#)**Illustration**

Product may differ from Image

**Side 1**

Mounting method	inserted, screwed
Family construction form	M8
Material contact	Copper alloy
Material	PA
No. of poles	4
Degree of protection (EN IEC 60529)	IP65, IP67

Commercial data	
ECLASS-6.0	27279221
ECLASS-6.1	27260702
ECLASS-7.0	27440102
ECLASS-8.0	27440102
ECLASS-9.0	27440116
ECLASS-10.1	27440102
ECLASS-11.1	27440102
ECLASS-12.0	27440116
ETIM-5.0	EC002635
customs tariff number	85366990
GTIN	4048879784818
Packaging unit	1
Electrical data   Supply	
Operating voltage AC	30 V
Operating voltage DC	30 V
Current operating per contact max.	4 A
Installation	
Connection cross section min.	0,25 mm <sup>2</sup>
Connection cross section max.	0,5 mm <sup>2</sup>
Installation   Connection	
Wire insulation diameter min.	1,1 mm
Wire insulation diameter max.	1,55 mm
Connection	Cut clamps IDC
Mounting set	M8 x 1
Mating cycles min.	100
Device protection   Electrical	
Additional condition protection degree	inserted, screwed
Pollution Degree	3
Rated surge voltage	0,8 kV
Insulation resistance min.	100 MΩ
Material group (IEC 60664-1)	III
Overvoltage category (EN 60950-1)	II
Mechanical data   Material data	
Coating contact	gold plated
Coating locking	Nickel
Material gasket	NBR
Material contact carrier	TPU
Locking material	Zinc die-casting
Mechanical data   Mounting data	
Mounting method	Hexagonal screw, Hexagonal nut
Clamping range min.	2,5 mm
Clamping range max.	5 mm
Looking techniques	Schraubgewinde
Environmental characteristics   Climatic	
Operating temperature min.	-25 °C
Operating temperature max.	80 °C
Conformities, approvals, certificates	
Product standard	DIN EN 61076-2-114 (M8)