

M12 male 0° A-cod. with cable

PVC 4x0.34 gy UL/CSA 3m

Male straight

M12, 4-pole

with cable sleeves

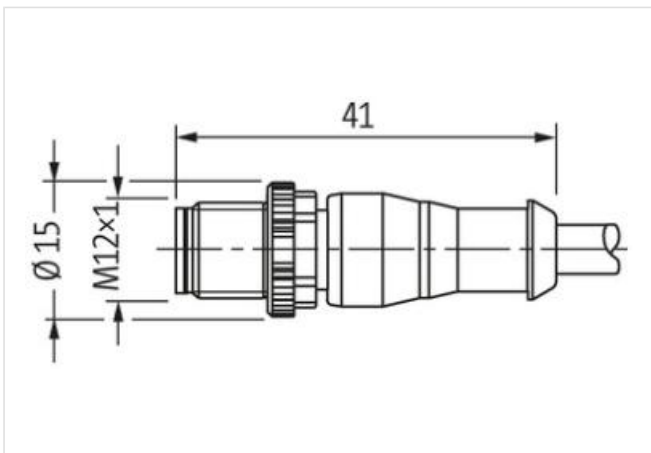
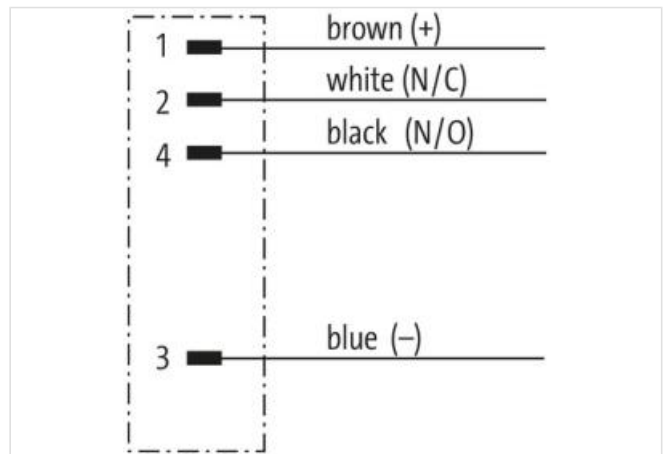
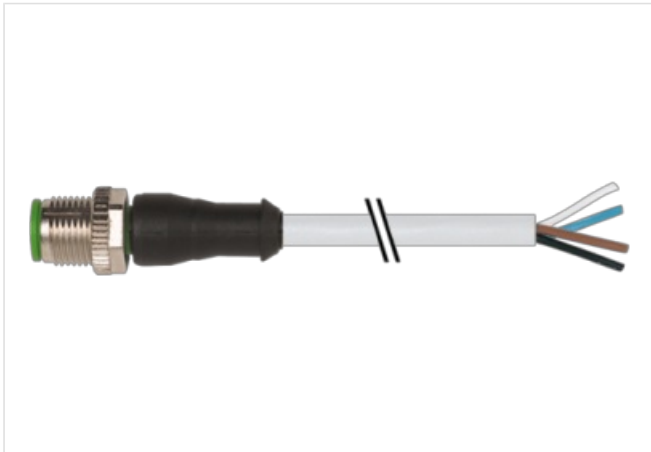
Plastic housings with good resistance against chemicals and oils.

The resistance to aggressive media should be individually tested for your application. Further details on request.

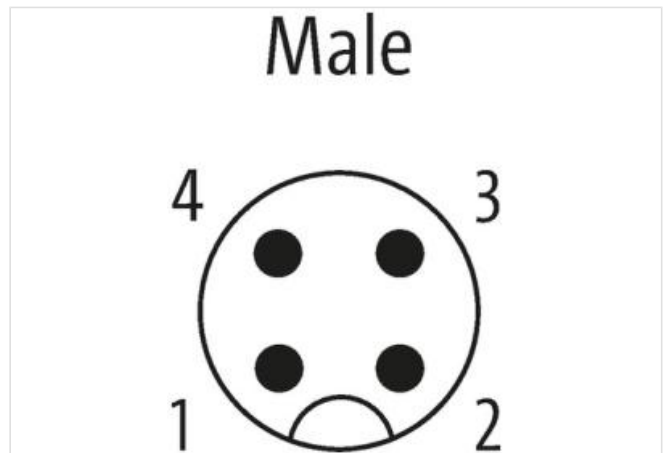
Further cable lengths on request.

[Link to Product](#)

Illustration



Product may differ from Image



Cable length 3 m

Side 1

Tightening torque head 1 0,6 Nm

Mounting method inserted, screwed

Family form head 1	M12
Thread	M12 x 1
Inner diameter contour for corrugated hose head 1	10 mm
Coding head 1	A
Material head 1	PUR
Width across flats head 1	SW13
Degree of protection (EN IEC 60529)	IP65, IP66K, IP67

Commercial data

ECLASS-6.0	27279218
ECLASS-6.1	27279218
ECLASS-7.0	27279218
ECLASS-8.0	27279218
ECLASS-9.0	27060311
ECLASS-10.1	27060311
ECLASS-11.1	27060311
ECLASS-12.0	27060311
ETIM-5.0	EC001855
customs tariff number	85444290
GTIN	4048879218498
Packaging unit	1

Electrical data | Supply

Operating voltage AC (UL-listed)	30 V
Operating voltage AC max.	250 V
Operating voltage DC (UL-listed)	30 V
Operating voltage DC max.	250 V
Current operating per contact max.	4 A

Installation | Connection

Mounting set	M12 x 1
--------------	---------

Device protection | Electrical

Rated surge voltage	2,5 kV
Material group (IEC 60664-1)	I
Protection degree additional condition	inserted, screwed
Pollution Degree	3

Mechanical data | Material data

Coating locking	Nickel
Coating of fitting	nickel plated
Locking material	Zinc die-casting
	Zinc die-casting

Mechanical data | Mounting data

Mounting method	inserted, screwed, Shaking protection
-----------------	---------------------------------------

Environmental characteristics | Climatic

Operating temperature min. (dynamic)	-5 °C
Min. operating temperature (static)	-25 °C
Operating temperature max. (dynamic)	80 °C
Max. operating temperature (fixed)	80 °C

Conformities, approvals, certificates

Product standard	DIN EN 61076-2-101 (M12)
------------------	--------------------------

Cable

Cable identification	214
----------------------	-----