

**M12 female 90° A-cod. with cable LED**

PVC 5x0.34 ye UL/CSA 10m

Female 90°

M12, 5-pole

3x LED (PNP)

Art-No. 7005 - M12 Lite - (plastic hexagonal screw) on request

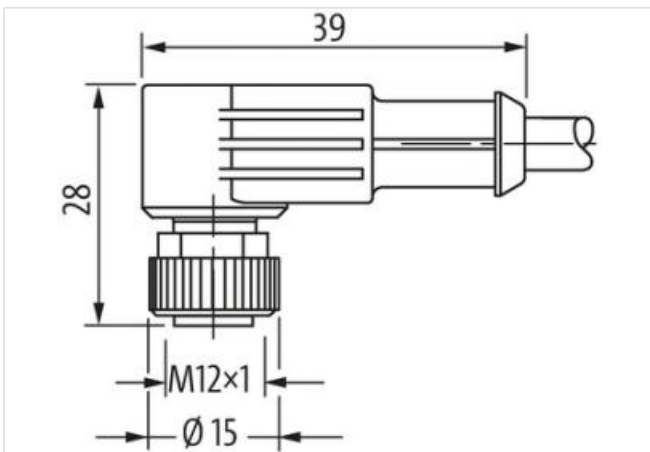
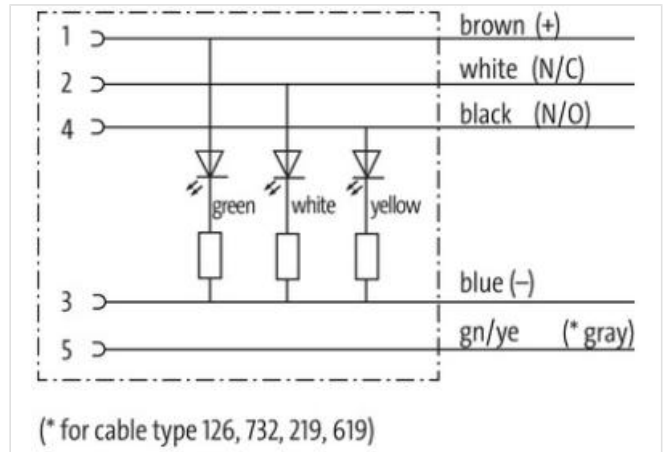
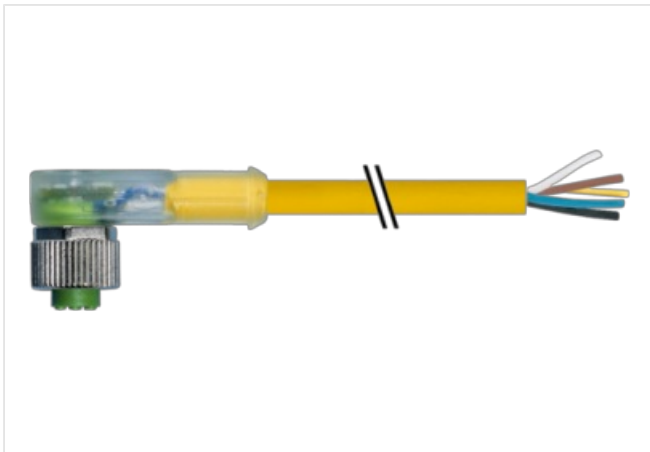
Plastic housings with good resistance against chemicals and oils.

The resistance to aggressive media should be individually tested for your application. Further details on request.

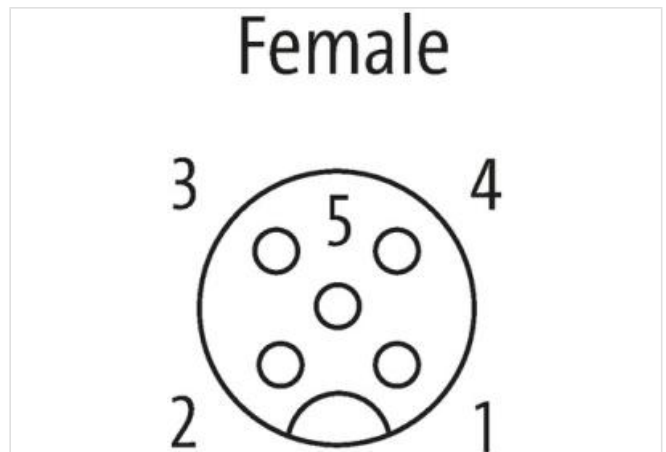
Further cable lengths on request.

[Link to Product](#)

**Illustration**



Product may differ from Image



Cable length 10 m

Side 1

Tightening torque head 1	0,6 Nm
Mounting method	inserted, screwed
Family form head 1	M12
Thread	M12 x 1
Inner diameter contour for corrugated hose head 1	10 mm
Coding head 1	A
Material head 1	PUR
Width across flats head 1	SW13
Degree of protection (EN IEC 60529)	IP65, IP66K, IP67

**Commercial data**

ECLASS-6.0	27279218
ECLASS-6.1	27279218
ECLASS-7.0	27279218
ECLASS-8.0	27279218
ECLASS-9.0	27060311
ECLASS-10.1	27060311
ECLASS-11.1	27060311
ECLASS-12.0	27060311
ETIM-5.0	EC001855
customs tariff number	85444290
GTIN	4048879202459
Packaging unit	1

**Electrical data | Supply**

Operating voltage DC	24 V
Operating voltage DC min.	18 V
Operating voltage DC max.	30 V
Operating voltage DC max. (UL-listed)	30 V
Current operating per contact max.	4 A

**Diagnostics**

Status indication LED	green, white, yellow
-----------------------	----------------------

**Installation | Connection**

Mounting set	M12 x 1
--------------	---------

**Device protection | Electrical**

Rated surge voltage	0,8 kV
Material group (IEC 60664-1)	I
Protection degree additional condition	inserted, screwed
Pollution Degree	3

**Mechanical data | Material data**

Coating locking	Nickel
Coating of fitting	nickel plated
Locking material	Zinc die-casting
	Zinc die-casting

**Mechanical data | Mounting data**

Mounting method	inserted, screwed, Shaking protection
-----------------	---------------------------------------

**Environmental characteristics | Climatic**

Operating temperature min. (dynamic)	-5 °C
Min. operating temperature (static)	-25 °C
Operating temperature max. (dynamic)	80 °C
Max. operating temperature (fixed)	80 °C

**Conformities, approvals, certificates**