

**M12 male duo 0° A-cod. screw terminal**5-pol., max. 0,75mm<sup>2</sup>, 2,1 - 3mm, 4 - 5mm

Male straight

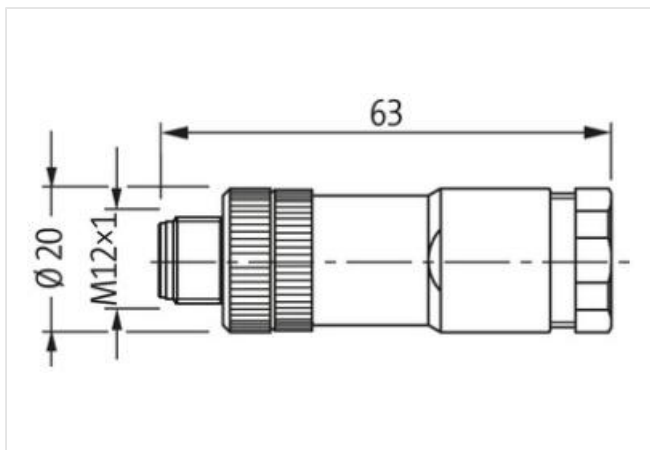
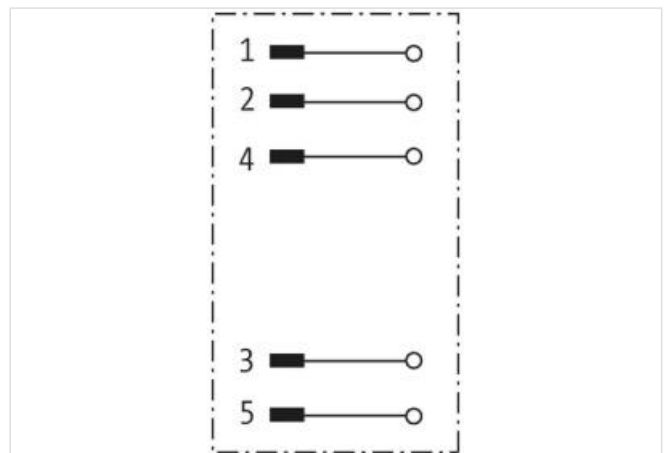
Y-connector M12, 5-pole

Screw terminals

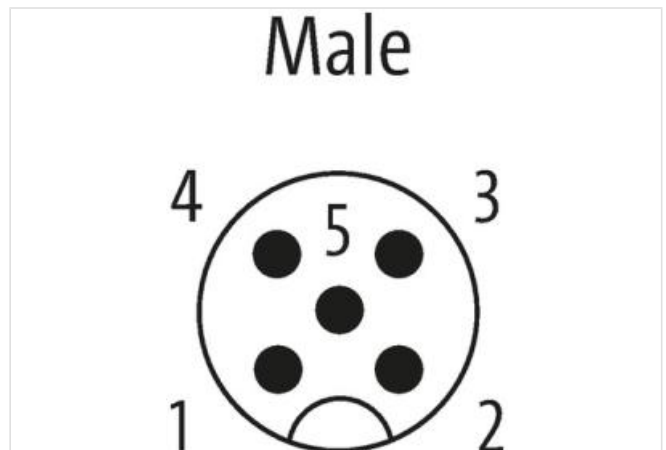
Sealing range (cable Ø): 2.1...3/4...5 mm

Plastic housings with good resistance against chemicals and oils.

The resistance to aggressive media should be individually tested for your application. Further details on request.

[Link to Product](#)**Illustration**

Product may differ from Image

**Form**

Form 12801

**Technical Data**

Operating voltage	max. 125 V AC/DC
Operating current per contact	max. 4 A
Connection cross section	max. 0.75 mm <sup>2</sup>
Sealing range (cable Ø)	2.1...3/4...5 mm (2 cable entries)
Protection	IP67 inserted and tightened (EN 60529)

**General data**

The information in this brochure has been compiled with the utmost care.

Liability for the correctness completeness and topicality of the information is restricted to gross negligence. Version: 2022-10-05

Murrelektronik Inc. | 1327 Northbrook Parkway, Suite 460 | Suwanee, GA 30024 | Fon +1 770 497-9292 | Fax +1 770 497-9391 | shop@murrinc.com | shop.murrinc.com

Temperature range	-40...+85 °C
Dimensions H×W×D	63×20×20 mm
Article No.	7000-12801-0000000