

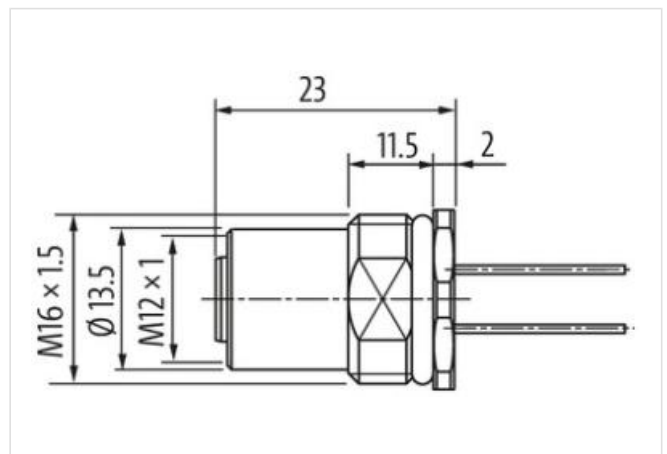
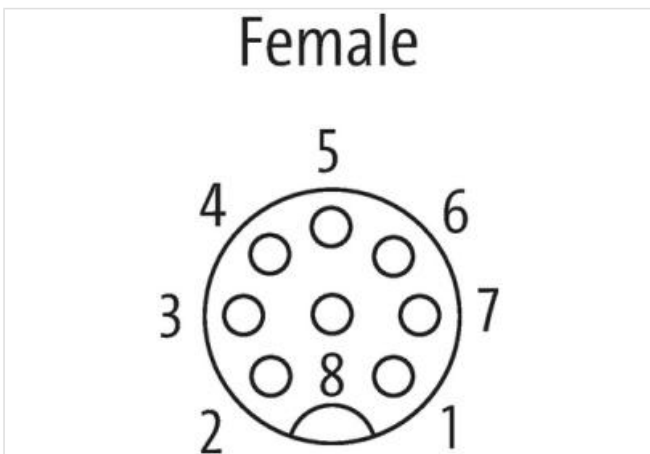
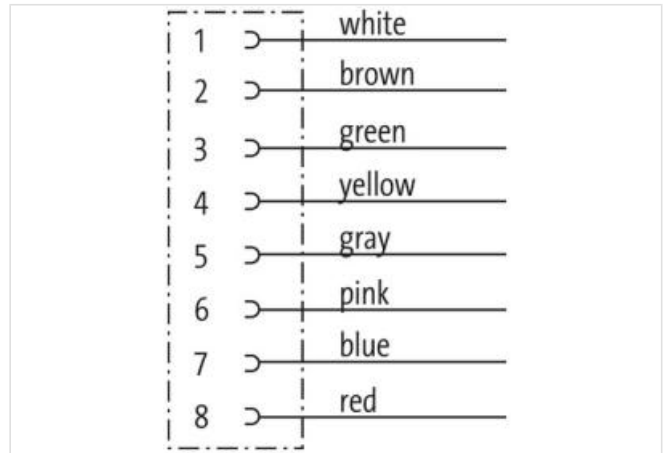
M12 female recept. A-cod. rear

PP-wires 8x0.25 0.5m

Flange female
M12, 8-pole
Rear mounting
with multi-strand wire

[Link to Product](#)

Illustration



Product may differ from Image



Cable length 0,5 m

classifications

ECLASS-6.0	27279220
ECLASS-6.1	27279220
ECLASS-7.0	27440103

ECLASS-8.0	27440103
ECLASS-9.0	27440103
ECLASS-10.1	27440103
ECLASS-11.1	27440103
ECLASS-12.0	27440103
ETIM-5.0	EC001855

Technical Data

Operating voltage	max. 30 V AC/DC
Rated surge voltage	0.8 kV
Operating current per contact	max. 2 A
No. of poles	8
Material group	IEC 60664-1, category I
Coding	A-coded
LED display	no
Locking of ports	Screw thread (M12×1 mm) recommended torque 0.6 Nm, self-securing
Protection	IP67 inserted and tightened (EN 60529)
Protection NEMA	3, 4, 6P (UL 50E)
Locking material	Brass, nickel plated
Compression gland	M12 (SW14)

General data

Pollution Degree	3
Temperature range	-25...+85 °C

Cable

No./diameter of wires	8× 0.25 mm ²
Wire isolation	PUR (wh, br, gn, ye, gr, pk, bl, rd)
Outer Ø	1.25 mm ±5%
Cable number	973
Temperature range (fixed)	-40...+90 °C
Temperature range (mobile)	-25...+90 °C
Bend radius (fixed)	10× outer Ø

Commercial data

customs tariff number	85444290
GTIN	4048879331814
Packaging unit	1