

**M12 female 0° A-cod. screw terminal**8-pol., max. 0.5mm<sup>2</sup>, 6 - 8mm

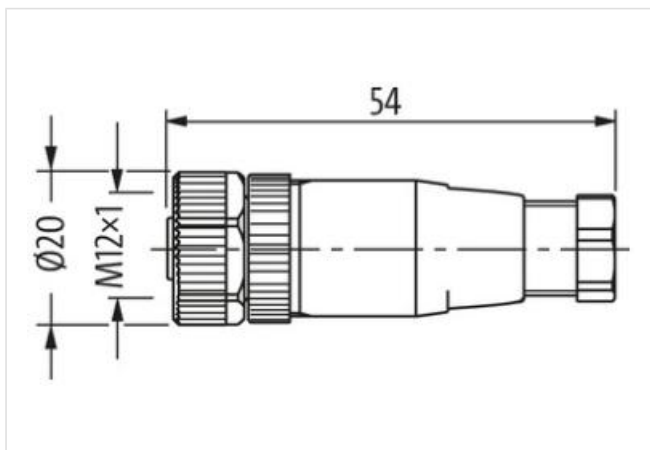
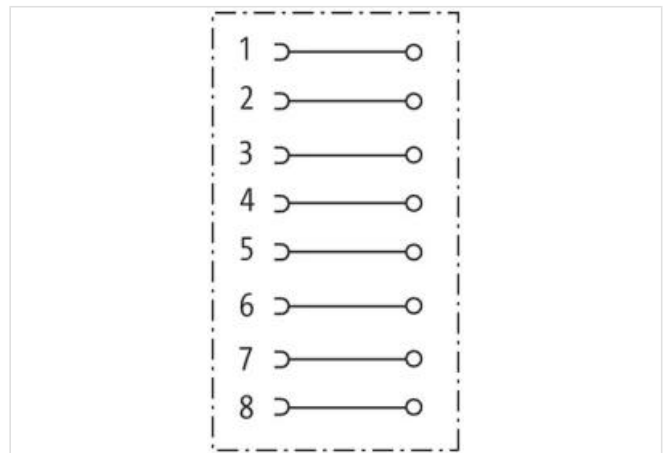
Female straight

M12, 8-pole

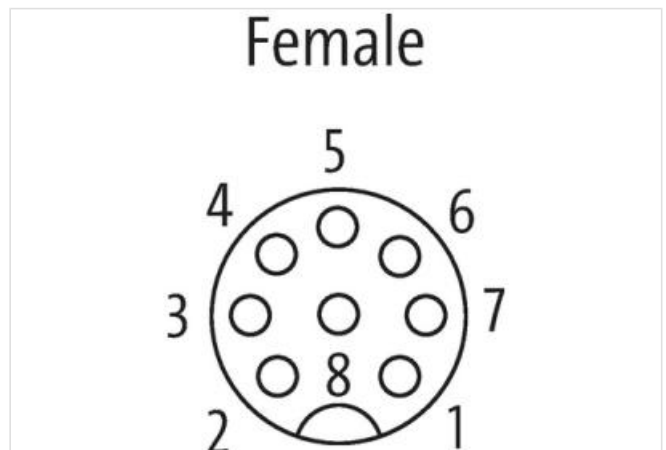
Sealing range (cable Ø): 6...8 mm

Plastic housings with good resistance against chemicals and oils.

The resistance to aggressive media should be individually tested for your application. Further details on request.

**[Link to Product](#)****Illustration**

Product may differ from Image

**Form**

Form 17321

**Technical Data**

Operating voltage	max. 30 V AC/DC
Operating current per contact	max. 2 A
Locking of ports	Screw thread (M12×1 mm) recommended torque 0.6 Nm, self-securing

The information in this brochure has been compiled with the utmost care.

Liability for the correctness completeness and topicality of the information is restricted to gross negligence. Version: 2022-09-02

Murrelektronik Inc. | 1327 Northbrook Parkway, Suite 460 | Suwanee, GA 30024 | Fon +1 770 497-9292 | Fax +1 770 497-9391 | shop@murrinc.com | shop.murrinc.com

Connection cross section	max. 0.5 mm <sup>2</sup>
Sealing range (cable Ø)	6...8 mm
Protection	IP67 inserted and tightened (EN 60529)

**General data**

Temperature range	-40...+85 °C
-------------------	--------------