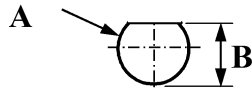


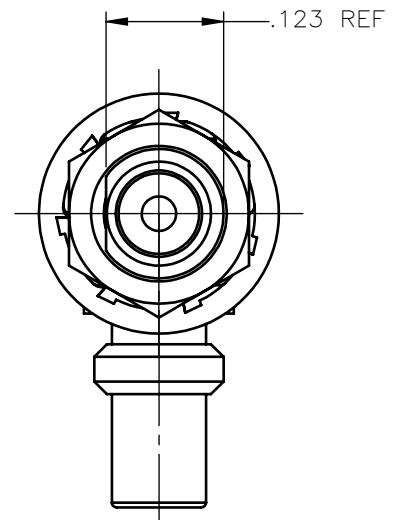
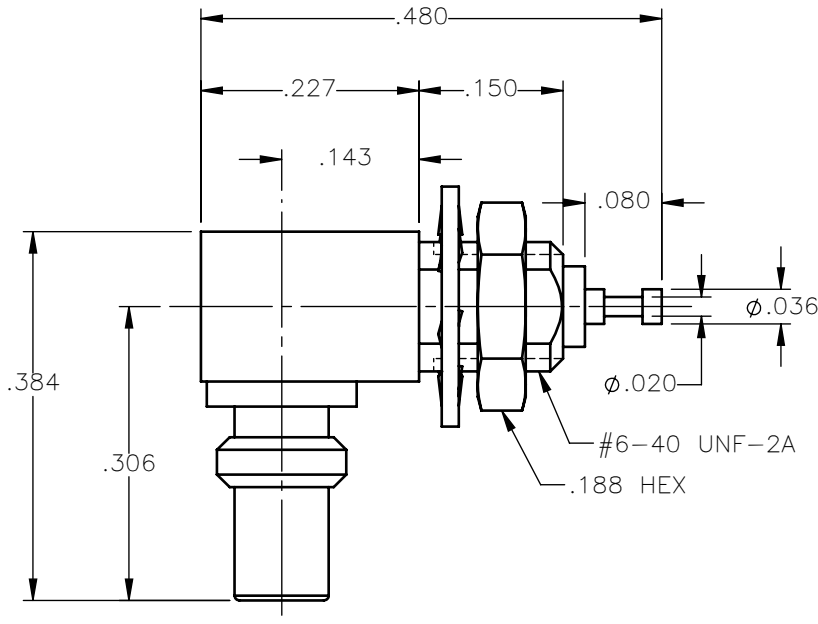
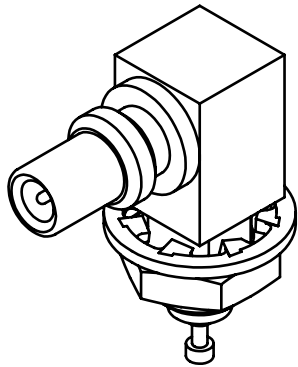
REVISIONS

REV.	DESCRIPTION	DATE	APPROVED
A	INITIAL RELEASE	03/09/18	C.E.

**PANEL CUT OUT**



inches		
	Maxi	mini
<b>A</b>	<b>.143</b>	<b>.140</b>
<b>B</b>	<b>.129</b>	<b>.126</b>





NOTES:

MATERIALS:

1. INSULATORS = VIRGIN WHITE TEFLON PER ASTM D1710, GRADE 1, TYPE I, CLASS "B".
2. INTERFACE BODY & CONTACT = BERYLLIUM COPPER PER ASTM B196, ALLOY C17300, TEMPER TD04.
3. LOCKWASHER = PHOSPHOR BRONZE PER ASTM B139, COPPER ALLOY C53400, TEMPER H04.
4. ALL OTHER METAL PARTS = BRASS PER ASTM B16, ALLOY C36000, TEMPER H02.

FINISHES:

1. CONTACTS = GOLD PLATE PER ASTM B488-11, TYPE II, 50µin MIN, GRADE C, OVER 100 TO 200µin STRESS FREE SULFAMATE NICKEL PER AMS-QQ-N-290.
2. ALL OTHER METAL PARTS = GOLD PLATE PER ASTM B488-11, TYPE II, 30µin MIN, GRADE C OVER 100 TO 200µin COPPER STRIKE PER AMS 2418.

UNLESS OTHERWISE SPECIFIED DIMENSIONS ARE IN INCHES TOLERANCES ON	DWN: C.E.	DATE: 03/08/18	 Property of Radiall This document cannot be reproduced or communicated to a third party without prior written permission of RADIALL.		
	CHKD: D.N.	DATE: 03/08/18			
DECIMAL	ANGLE	APVD: J.M.	DATE: 03/08/18	SSMC RIGHT ANGLE JACK BULKHEAD/FRONT MOUNT TURRET RECEPTACLE	
REFERENCE:	MATERIALS & FINISHES:	SIZE: A	FSCM NO.: 19505		DWG NO.: 7012-1511-000
ORIGINATED: C.E. DATE: 03/08/18	SEE NOTES	SCALE: 5:1	THIRD ANGLE PROJECTION		REV: A
				SHEET 1 OF 1	

7012-1511-000