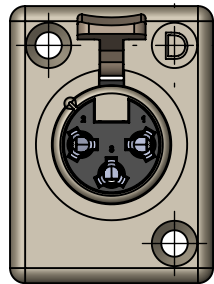


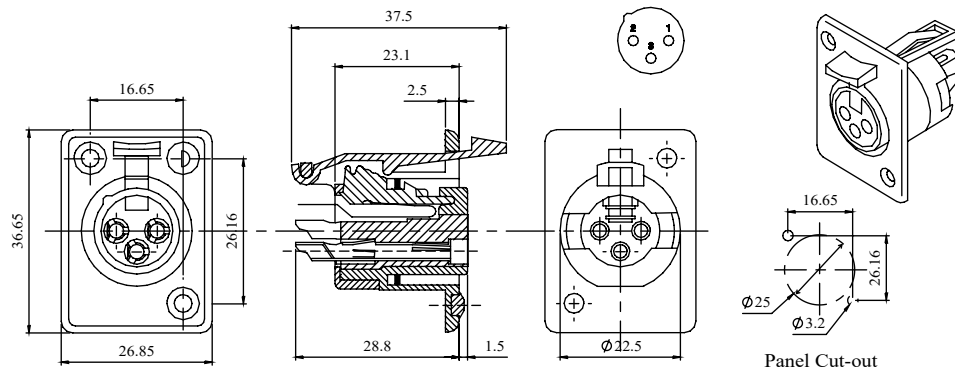
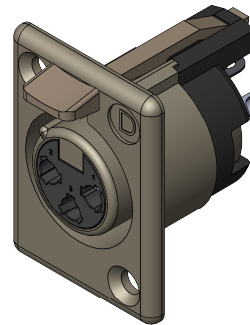
REV 010	DATE 21 Sep 2020	ECN NUMBER	ECR COMMENT	3	4	5	6	7
------------	---------------------	------------	-------------	---	---	---	---	---

A range of panel mounting audio and video connectors incorporating many innovative features,

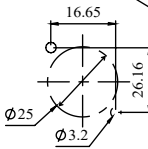
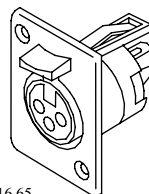
- Pressed socket contacts which 'float' to assist plug mating, also ensuring a positive 'wrap round' contact with the pin, which can 'move' with the pins should any movement occur between mating connectors.
- A simple press down, squeeze clip release mechanism makes it particularly easy to use.
- Generous solder buckets enable easier cable assembly as well as catering for larger conductor sizes.
- Available in two finishes satin nickel or black.
- Available with Silver or Gold Contacts



Dimensions



INSERT ARRANGEMENT



Panel Cut-out

### Mechanical Properties

- Housing
- Finish
- Contact base
- Contacts
- Finish
- Collar
- Latch
- Finish
- Sealing ring
- Earth Tag
- Finish

- Zinc high pressure die-casting
- satin nickel or black chrome
- Valox DR48, black
- Phos bronze (pressed)
- Silver Plate or Gold Plate
- Polypropylene, VIR222, black
- Zinc high pressure die-casting
- Bright Nickel
- Santoprene (UL94HB)
- Spring Steel
- Silver Plate

### Electrical

- Rated Voltage
- Test Voltage
- Insulation Resistance
- After damp heat
- Contact Resistance
- Current Rating at 40 deg C
- Current Rating at 70 deg C
- Terminal wire sizes
- 50 V a.c.
- 1000 V r.m.s.
- 103 MΩ
- 500 MΩ
- 10 mΩ max
- 3 pin - 15 amp
- 3 pin - 7.5 amp
- 3 pin 2.5 mm<sup>2</sup> / 14 AWG

### Climatic:

- Climatic category
- Temperature Range
- Damp heat, steady state
- 25/070/04
- 25°C to +70°C
- 4 days

DELTRON PART NUMBER	SILVER CONTACTS		GOLD CONTACTS	
	NICKEL	BLACK	NICKEL	BLACK
3 WAY	702-0300	710-0300	706-0300	714-0300

+44(0)1724 273200  
 www.dem-uk.com

**PROPRIETARY AND CONFIDENTIAL:**  
 THE INFORMATION CONTAINED IN THIS DRAWING IS THE SOLE PROPERTY OF ALPHA 3 MANUFACTURING. ANY REPRODUCTION IN PART OR AS A WHOLE WITHOUT THE WRITTEN PERMISSION OF ALPHA 3 MANUFACTURING IS PROHIBITED.  
 DEM Manufacturing is a division of Alpha 3 Manufacturing LTD  
 DEM Manufacturing, Deltron Emcon House, Hargreaves Way, Sawcliffe Ind. Park, Scunthorpe, North Lincolnshire, DN15 8RF, UK

UNLESS OTHERWISE SPECIFIED DIMENSIONS ARE IN MILLIMETRES  
 LINEAR & RADIAL TOLERANCE:  
**NO DECIMAL PLACES ±0.5mm**  
**1 DECIMAL PLACE ±0.25mm**  
**2 DECIMAL PLACES ±0.125mm**  
**ANGULAR TOLERANCE: ±1°**

**IF IN DOUBT ASK! DO NOT SCALE DRAWING!**  
 FINISH SEE NOTES  
 MATERIAL SEE NOTE  
 THE FINISHED PRODUCT SHOULD BE CLEAN AND FREE FROM ALL LIQUIDS AND DEBRIS. SURFACES SHOULD BE OF UNIFORM APPEARANCE FREE FROM SHARP EDGES, BURRS AND CORROSION

AUTHOR	SB	TITLE	GENERAL SPECIFICATION	
EDITOR	DT	FILE	702-706-710-714	
APPROVER	PA	PART	3 WAY PANEL SOCKET	
THIRD ANGLE PROJECTION	SHEET 1 OF 1	ISSUE/REV.	010	EDIT DATE 21/09/2020
	SCALE 1:1	A4	RELEASED	RELEASE DATE 21/09/2020