

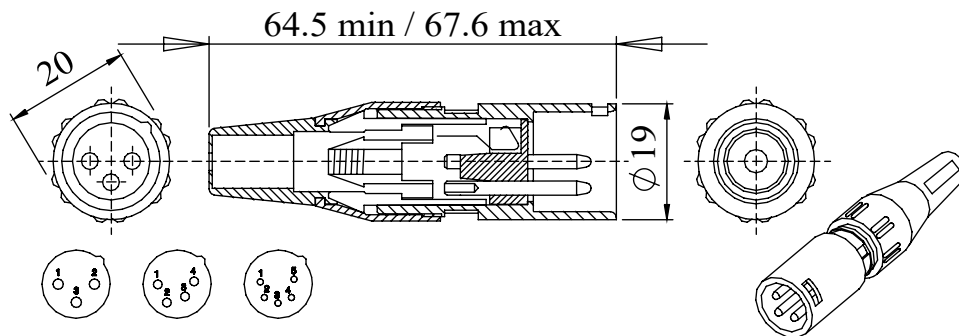
REV	1	DATE	ECN NUMBER	ECR COMMENT	3	4	5	6	7
007		26 Feb 2018	C03821	AMEND PLATING FINISH ON CONTACT PINS					

A RANGE OF AUDIO AND VIDEO CONNECTORS INCORPORATING MANY INNOVATIVE FEATURES. ASSEMBLY AND DISASSEMBLY IS SCREW LESS AND IS ACHIEVED BY A FEW TURNS OF THE BACK SHELL. AVAILABLE IN SATIN NICKEL OR MATT BLACK FINISH, WITH SILVER OR GOLD PLATED CONTACTS. THE STRAIN RELIEF COLLET ENSURES A POSITIVE CABLE GRIP. GENEROUS SOLDER BUCKETS ENABLE EASIER CABLE ASSEMBLY AS WELL AS CATERING FOR LARGER CONDUCTIVE SIZES. A RANGE OF COLOURED PLASTIC CODING RINGS IS ALSO AVAILABLE, EACH WITH A SINGLE NUMBER MOULDED IN, OFFERING A QUICK AND EASY SYSTEM OF CHANNEL IDENTIFICATION.

**MECHANICAL PROPERTIES**

CABLE RETENTION	CHUCK AND SCREW COLLAR
CABLE RANGE	Ø 2.8mm TO Ø 8.0mm
HOUSING	ZINC HIGH PRESSURE DIE-CASTING SATIN NICKEL OR BLACK CHROME
CONTACT BASE	VALOX DR48
CONTACTS	BRASS, FLASH SILVER ANTI-TARNISH FINISH OR 0.5 MICRONS GOLD
STRAIN RELIEF	P.V.C. (BLACK)
SEALING RING	SANTOPRENE (UL 94 HB)
CHUCK	ACETAL (UL 94 HB)
SCREW COLLAR	ZINC HIGH PRESSURE DIE-CASTING SATIN NICKEL OR BLACK CHROME
SCREEN	SPRING STEEL, 3 MICRONS SILVER ANTI-TARNISH
CONNECTOR IDENT	ACETAL (UL 94 HB)
IDENT OPTIONS	BLACK, BROWN, RED, ORANGE, YELLOW, GREEN, BLUE, VIOLET, GREY, WHITE
	INTERCHANGEABLE, SPRING ON COLOURED RINGS

**DIMENSIONS**



**INSERT ARRANGEMENTS**

PART No	SILVER CONTACT		GOLD CONTACT	
	NICKEL	BLACK	NICKEL	BLACK
3 WAY	701-0300	709-0300	705-0300	713-0300
4 WAY	701-0400	709-0400	705-0400	713-0400
5 WAY	701-0500	709-0500	705-0500	713-0500

**ELECTRICAL**

RATED VOLTAGE	50 V A.C.
TEST VOLTAGE	1000 V R.m.s.
INSULATION RESISTANCE	103 MΩ
AFTER DAMP HEAT	500 MΩ
CONTACT RESISTANCE	10 MΩ MAX
CURRENT RATING AT 40 DEG C	3 PIN - 15 AMP 4 PIN - 10 5 PIN - 7.5 AMP
CURRENT RATING AT 70 DEG C	3 PIN - 7.5 AMP 4 PIN - 5 5 PIN - 3 AMP
TERMINAL WIRE SIZES	3 PIN 2.5 mm <sup>2</sup> / 14 AWG 4 PIN 1.5 mm <sup>2</sup> / 16 AWG 5 PIN 1.0 mm <sup>2</sup> / 18 AWG

**CLIMATIC**

CLIMATIC CATEGORY	25/070/04
TEMPERATURE RANGE	-25°C TO +70°C
DAMP HEAT, STEADY STATE	4 DAYS