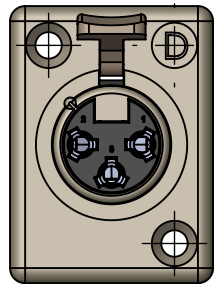
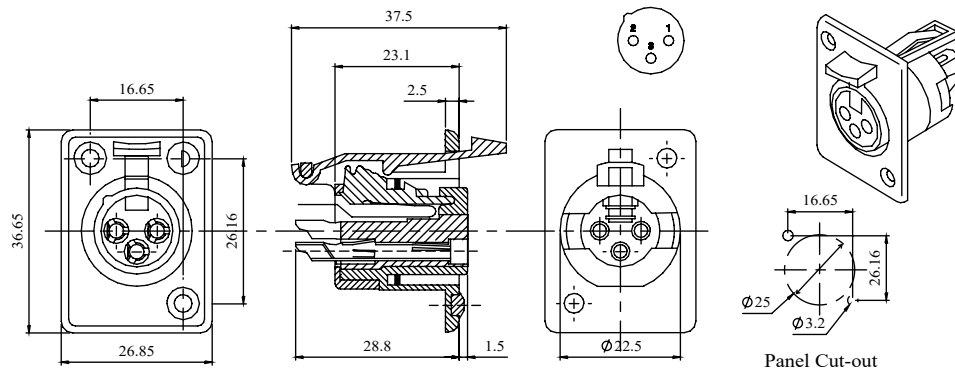
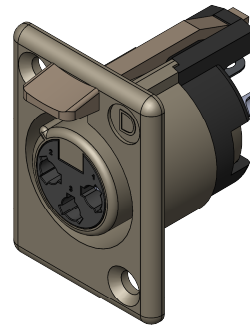


A range of panel mounting audio and video connectors incorporating many innovative features,

- Pressed socket contacts which 'float' to assist plug mating, also ensuring a positive 'wrap round' contact with the pin, which can 'move' with the pins should any movement occur between mating connectors.
- A simple press down, squeeze clip release mechanism makes it particularly easy to use.
- Generous solder buckets enable easier cable assembly as well as catering for larger conductor sizes.
- Available in two finishes satin nickel or black.
- Available with Silver or Gold Contacts



Dimensions



INSERT ARRANGEMENT

Panel Cut-out

### Mechanical Properties

- Housing
- Finish
- Contact base
- Contacts
- Finish
- Collar
- Latch
- Finish
- Sealing ring
- Earth Tag
- Finish

- Zinc high pressure die-casting
- satin nickel or black chrome
- Valox DR48, black
- Phos bronze (pressed)
- Silver Plate or Gold Plate
- Polypropylene, VIR222, black
- Zinc high pressure die-casting
- Bright Nickel
- Santoprene (UL94HB)
- Spring Steel
- Silver Plate

### Electrical

- Rated Voltage
- Test Voltage
- Insulation Resistance
- After damp heat
- Contact Resistance
- Current Rating at 40 deg C
- Current Rating at 70 deg C
- Terminal wire sizes

- 50 V a.c.
- 1000 V r.m.s.
- 103 MΩ
- 500 MΩ
- 10 mΩ max
- 3 pin - 15 amp
- 3 pin - 7.5 amp
- 3 pin 2.5 mm<sup>2</sup> / 14 AWG

### Climatic:

- Climatic category
- Temperature Range
- Damp heat, steady state

- 25/070/04
- 25°C to +70°C
- 4 days

DELTRON PART NUMBER	SILVER CONTACTS		GOLD CONTACTS	
	NICKEL	BLACK	NICKEL	BLACK
3 WAY	702-0300	710-0300	706-0300	714-0300