

A range of panel mounting audio and video connectors incorporating many innovative features, compatible with all leading manufactures' cable sockets

- Has an internal cut out which ensures a positive and secure socket retention feature.
- Generous solder buckets enable easier cable assembly as well as catering for larger conductive sizes.
- Available in satin nickel or matt black finish, with either silver or gold plated contacts.



### Features

### Mechanical Properties

**Housing** Zinc high pressure diecast  
Satin nickel or black chrome

**Contact Base** Valox DR48

**Contacts** Brass, 3 microns silver, anti-tarnish Finish, or 0.5 microns gold

**Collar** Polypropylene VIR 222, black

**Screen** Spring Steel, 3 microns silver

### Electrical

**Rated Voltage** 50 V a.c.

**Test Voltage** 1000 V r.m.s.

**Insulation Resistance** 103 MΩ

**After damp heat** 500 MΩ

**Contact Resistance** 10 mΩ max

**Current Rating at 40 deg C**  
3 pin - 15 amp  
4 pin - 10  
5 pin - 7.5 amp

**Current Rating at 70 deg C**  
3 pin - 7.5 amp  
4 pin - 5  
5 pin - 3 amp

**Terminal wire sizes**  
3 pin 2.5 mm<sup>2</sup> / 14 AWG  
4 pin 1.5 mm<sup>2</sup> / 16 AWG  
5 pin 1.0 mm<sup>2</sup> / 18 AWG

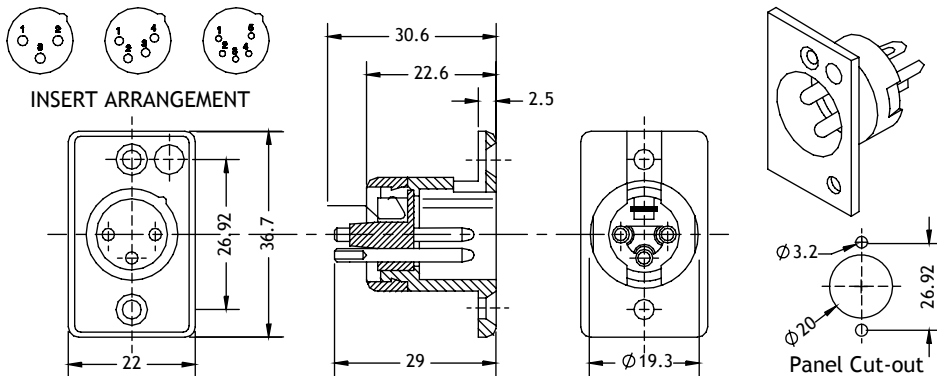
### Climatic

**Climatic category** 25/070/04

**Temperature Range** -25°C to +70°C

**Damp heat, steady state** 4 days

### Dimensions



Deltron Part No	Silver Contacts		Gold Contacts	
	Nickel	Black	Nickel	Black
3-way	703-0300	711-0300	707-0300	715-0300
4-way	703-0400	711-0400	707-0400	715-0400
5way	703-0500	711-0500	707-0500	715-0500

Tel No. +44(0)1724 273200 Website www.dem-uk.com



**PROPRIETARY AND CONFIDENTIAL**  
THE INFORMATION CONTAINED IN THIS DRAWING IS THE SOLE PROPERTY OF ALPHA 3 MANUFACTURING.  
ANY REPRODUCTION IN PART OR AS A WHOLE WITHOUT THE WRITTEN PERMISSION OF ALPHA 3 MANUFACTURING IS PROHIBITED.



UNLESS OTHERWISE SPECIFIED:  
DIMENSIONS ARE IN MILLIMETRES  
LINEAR TOLERANCE:  
**NO DECIMAL PLACES ±0.5mm**  
**1 DECIMAL PLACE ±0.25mm**  
**2 DECIMAL PLACES ±0.125mm**  
**ANGULAR TOLERANCE: ±1°**

FINISH PROFESSIONAL QUALITY 7000 SERIES  
IF IN DOUBT ASK DO NOT SCALE DRAWING

DEBURR AND BREAK SHARP EDGES

MATERIAL N/A

DRAWN BY SPB  
APPROVED BY WC  
THIRD ANGLE PROJECTION

SHEET 1 OF 1  
SCALE 1:1  
A4

TITLE GENERAL SPECIFICATION MULTIPOLE CONNECTOR PANEL PLUG

DRAWING NO. 703-711-707-715

ISSUE 09  
Release