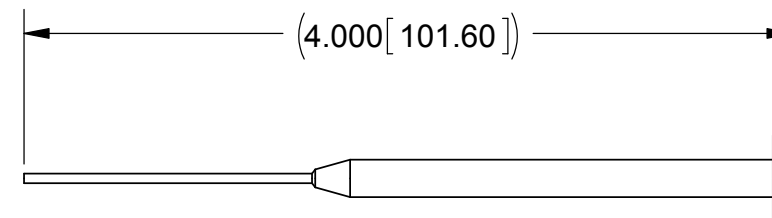
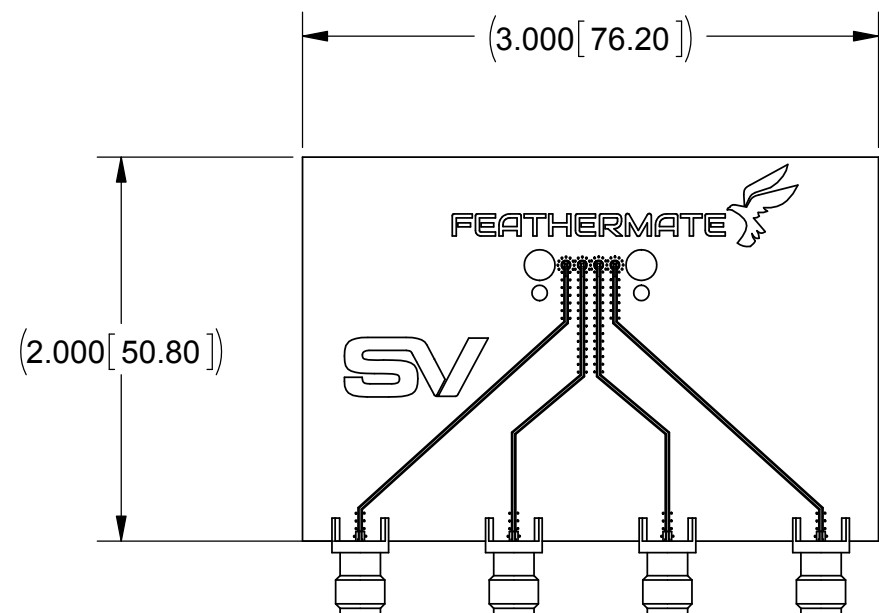
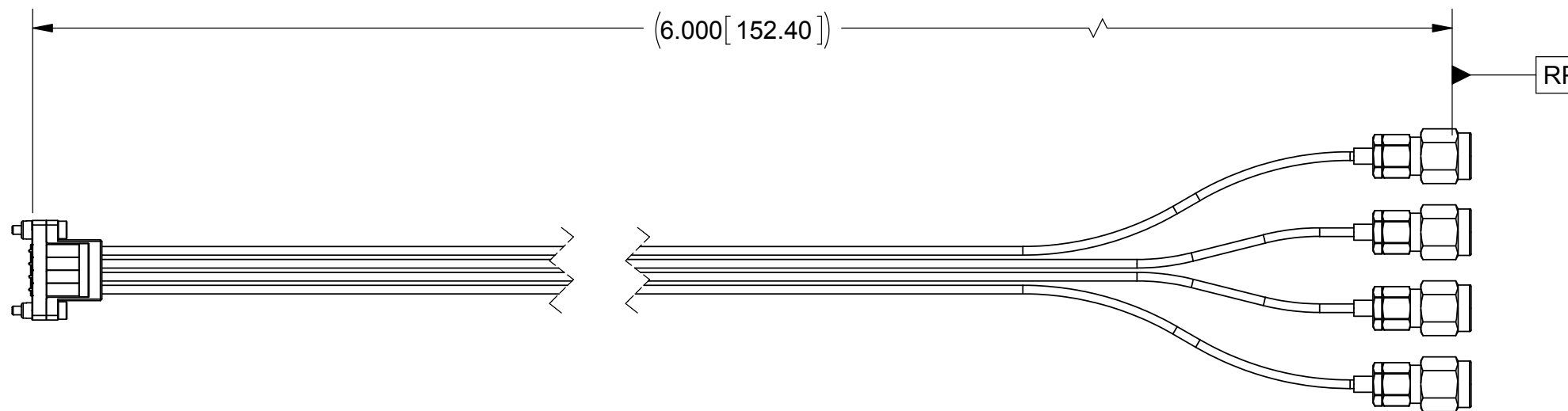


# PRODUCT DATA DRAWING

REVISION HISTORY			
REV	DESCRIPTION	DATE	APPROVED
-	DCN 42531	07/16	DAL



**NOTES:**

- REFER TO INDIVIDUAL DATA DRAWINGS FOR MATERIAL, FINISH AND PERFORMANCE INFORMATION.
- PERFORMANCE PLOTS AND FILES ON USB DRIVE.

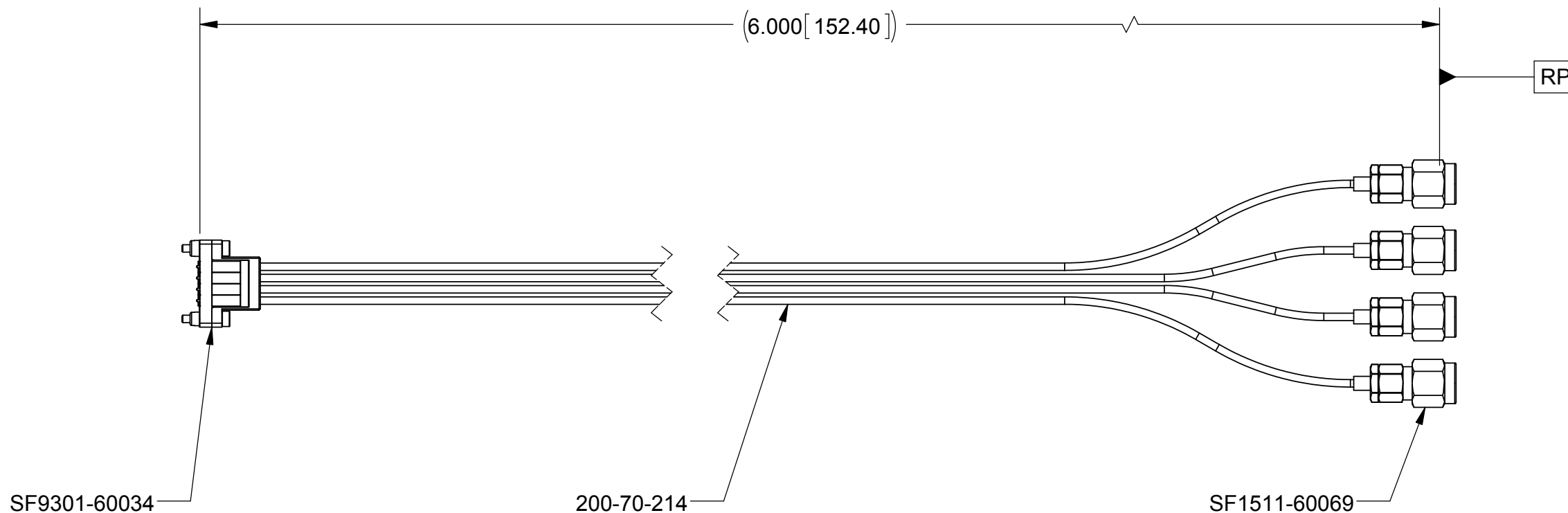
**THIS EVALUATION KIT INCLUDES:**

QTY	P/N	DESCRIPTION
1	7080-0622	FEATHERMATE TO SVK PLUG
4	1521-60086	SVK PLUG (ON PCB)
1	SV-FM-EVAL.01	PCB
1	7043A13	HEX TOOL
1		USB DRIVE

MATERIAL: SEE NOTES	DIMENSIONS ARE IN INCHES TOLERANCES: FRACTIONAL: $\pm 1/64$ ANGULAR: X° $\pm 1'0''$ X°X' $\pm 15''$	UNLESS OTHERWISE SPECIFIED 1) ALL DIMENSIONS ARE IN INCHES (MILLIMETERS) 2) ALL DIMENSIONS ARE AFTER PLATING. 3) BREAK CORNERS & EDGES .005 R. MAX. 4) CHAM. 1ST & LAST THREADS. 5) SURFACE ROUGHNESS 63-MIL-STD-10. 6) DIA. 'S ON COMMON CENTERS TO BE CONCENTRIC WITHIN .005 T.I.R. 7) REMOVE ALL BURRS	 Amphenol 2400 Centrepark West Drive, Suite 100 West Palm Beach, FL 33409 TITLE: FEATHERMATE Mk.IV EVALUATION KIT
FINISH: SEE NOTES	DECIMAL: X $\pm .030$ .XX $\pm .010$ .XXX $\pm .005$	INTERPRET DIMENSIONS AND TOLERANCES PER ASME Y14.5M - 1994	
SURFACE AREA: N/A	THIRD ANGLE PROJECTION	DRAWN: GPF 06/07/16	SIZE: B
PROPRIETARY THE INFORMATION CONTAINED IN THIS DRAWING IS THE SOLE PROPERTY OF SV MICROWAVE, INC. ANY REPRODUCTION IN PART OR AS A WHOLE WITHOUT THE WRITTEN PERMISSION OF SV MICROWAVE, INC IS PROHIBITED.		CHECKED: DAL 06/07/16	CAGE CODE: 95077
		APPROVED: DAL 06/07/16	DWG. NO. FM Mk.IV - EVALKIT
			SCALE: 1:1
			SHEET 1 OF 3

# PRODUCT DATA DRAWING

REVISION HISTORY			
REV	DESCRIPTION	DATE	APPROVED
	SEE SHEET 1		



**7080-0622**

**MATERIALS:**

CONNECTORS: 4X SF1511-60069 (SVK STRAIGHT PLUG)  
 SF9301-60034 (FEATHERMATE Mk.V)

CABLE: 200-70-214 (STANDARD FLEXTRA CABLE)

**PERFORMANCE:**

FREQ. RANGE: DC TO 40.0 GHz  
 VSWR: 1.50:1 MAX. DC TO 40.0 GHz  
 INSERTION LOSS: 1.0 dB MAX AT 40.0 GHz  
 DELAY MATCH (SET): ±1 ps

MATERIAL: SEE NOTES	DIMENSIONS ARE IN INCHES TOLERANCES: FRACTIONAL: ±1/64 ANGULAR: X° ±1'0" X"X' ±15'	UNLESS OTHERWISE SPECIFIED 1) ALL DIMENSIONS ARE IN INCHES (MILLIMETERS) 2) ALL DIMENSIONS ARE AFTER PLATING. 3) BREAK CORNERS & EDGES .005 R. MAX. 4) CHAM. 1ST & LAST THREADS. 5) SURFACE ROUGHNESS 63-MIL-STD-10. 6) DIA. 'S ON COMMON CENTERS TO BE CONCENTRIC WITHIN .005 T.I.R. 7) REMOVE ALL BURRS	 Amphenol 2400 Centrepark West Drive, Suite 100 West Palm Beach, FL 33409
FINISH: SEE NOTES	DECIMAL: X ±.030 .XX ±.010 .XXX ±.005		
SURFACE AREA: N/A	INTERPRET DIMENSIONS AND TOLERANCES PER ASME Y14.5M - 1994		TITLE: FEATHERMATE Mk.IV EVALUATION KIT
PROPRIETARY THE INFORMATION CONTAINED IN THIS DRAWING IS THE SOLE PROPERTY OF SV MICROWAVE, INC. ANY REPRODUCTION IN PART OR AS A WHOLE WITHOUT THE WRITTEN PERMISSION OF SV MICROWAVE, INC IS PROHIBITED.	THIRD ANGLE PROJECTION 	DRAWN: GPF 06/07/16 CHECKED: DAL 06/07/16 APPROVED: DAL 06/07/16	SIZE: B CAGE CODE: 95077 DWG. NO.: FM Mk.IV - EVALKIT SCALE: 1:1 SHEET 2 OF 3