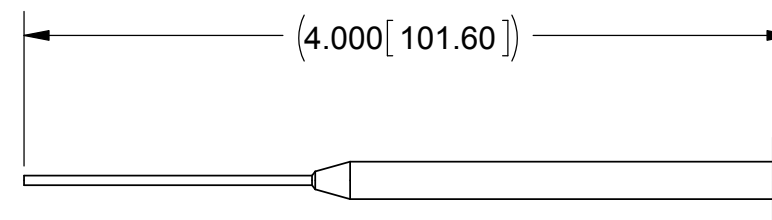
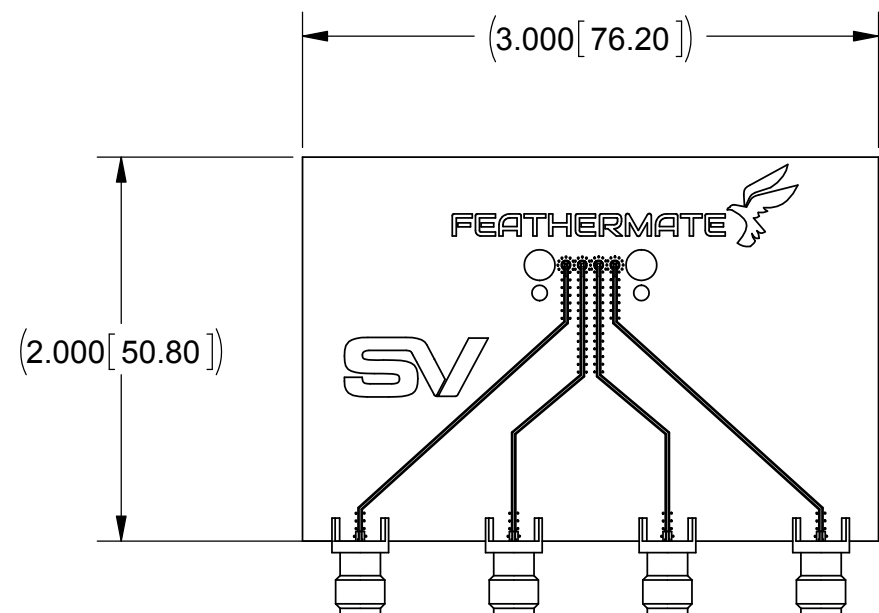
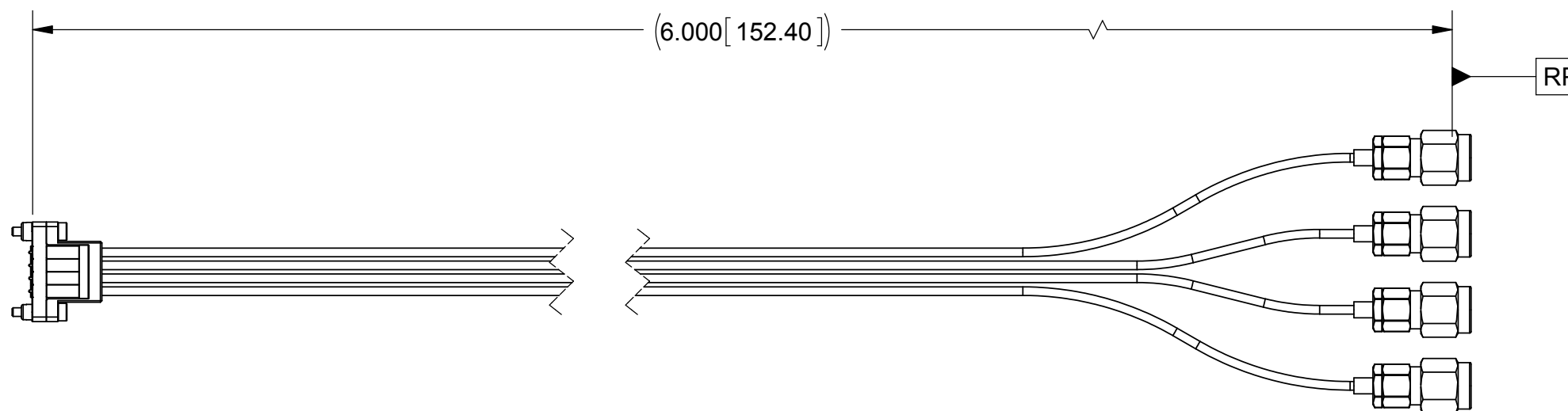


PRODUCT DATA DRAWING

| REVISION HISTORY | | | |
|------------------|-------------|-------|----------|
| REV | DESCRIPTION | DATE | APPROVED |
| - | DCN 42531 | 07/16 | DAL |
| | | | |



NOTES:

1. REFER TO INDIVIDUAL DATA DRAWINGS FOR MATERIAL, FINISH AND PERFORMANCE INFORMATION.
2. PERFORMANCE PLOTS AND FILES ON USB DRIVE.

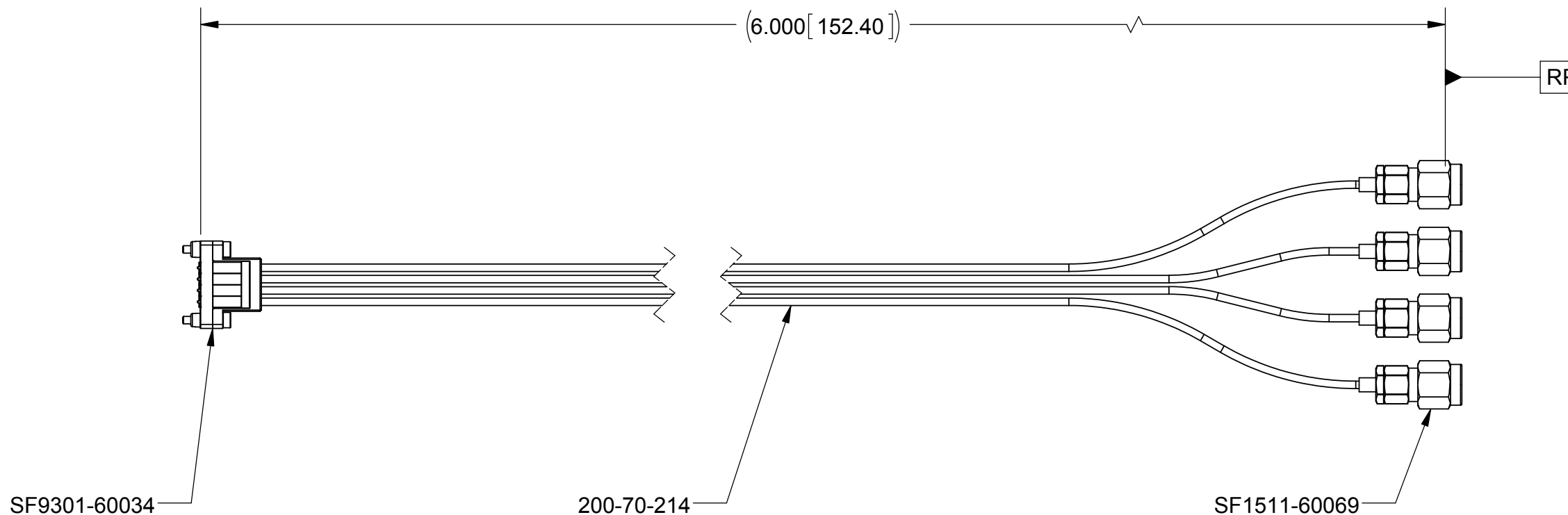
THIS EVALUATION KIT INCLUDES:

| QTY | P/N | DESCRIPTION |
|-----|---------------|-------------------------|
| 1 | 7080-0622 | FEATHERMATE TO SVK PLUG |
| 4 | 1521-60086 | SVK PLUG (ON PCB) |
| 1 | SV-FM-EVAL.01 | PCB |
| 1 | 7043A13 | HEX TOOL |
| 1 | | USB DRIVE |

| | | | |
|---|--|--|---|
| MATERIAL: SEE NOTES | DIMENSIONS ARE IN INCHES TOLERANCES: FRACTIONAL: ±1/64 ANGULAR: X° ±1°0' X'X' ±15' | UNLESS OTHERWISE SPECIFIED 1) ALL DIMENSIONS ARE IN INCHES (MILLIMETERS) 2) ALL DIMENSIONS ARE AFTER PLATING. 3) BREAK CORNERS & EDGES .005 R. MAX. 4) CHAM. 1ST & LAST THREADS. 5) SURFACE ROUGHNESS 63-MIL-STD-10. 6) DIA. 'S ON COMMON CENTERS TO BE CONCENTRIC WITHIN .005 T.I.R. 7) REMOVE ALL BURRS | Amphenol 2400 Centrepark West Drive, Suite 100 West Palm Beach, FL 33409 TITLE: FEATHERMATE Mk.IV EVALUATION KIT |
| FINISH: SEE NOTES | DECIMAL: X ±.030 .XX ±.010 .XXX ±.005 | INTERPRET DIMENSIONS AND TOLERANCES PER ASME Y14.5M - 1994 | |
| SURFACE AREA: N/A | THIRD ANGLE PROJECTION | DRAWN: GPF 06/07/16 | SIZE: B CAGE CODE: 95077 DWG. NO. FM Mk.IV - EVALKIT |
| PROPRIETARY THE INFORMATION CONTAINED IN THIS DRAWING IS THE SOLE PROPERTY OF SV MICROWAVE, INC. ANY REPRODUCTION IN PART OR AS A WHOLE WITHOUT THE WRITTEN PERMISSION OF SV MICROWAVE, INC IS PROHIBITED. | | CHECKED: DAL 06/07/16 | SCALE: 1:1 |
| | | APPROVED: DAL 06/07/16 | SHEET 1 OF 3 |

PRODUCT DATA DRAWING

| REVISION HISTORY | | | |
|------------------|-------------|------|----------|
| REV | DESCRIPTION | DATE | APPROVED |
| | SEE SHEET 1 | | |
| | | | |
| | | | |



7080-0622


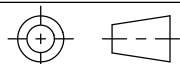
MATERIALS:

CONNECTORS: 4X SF1511-60069 (SVK STRAIGHT PLUG)
 SF9301-60034 (FEATHERMATE Mk.V)

CABLE: 200-70-214 (STANDARD FLEXTRA CABLE)

PERFORMANCE:

FREQ. RANGE: DC TO 40.0 GHz
 VSWR: 1.50:1 MAX. DC TO 40.0 GHz
 INSERTION LOSS: 1.0 dB MAX AT 40.0 GHz
 DELAY MATCH (SET): ±1 ps

| | | | | | | | | | | |
|--|-----------|--|--|---|--------------|---|---------------------------|--------|-----|--------------|
| MATERIAL: | SEE NOTES | DIMENSIONS ARE IN INCHES TOLERANCES: FRACTIONAL: ±1/64 ANGULAR: X° ±1'0" X°X' ±15' DECIMAL: X ±.030 .XX ±.010 .XXX ±.005 INTERPRET DIMENSIONS AND TOLERANCES PER ASME Y14.5M - 1994 | UNLESS OTHERWISE SPECIFIED 1) ALL DIMENSIONS ARE IN INCHES (MILLIMETERS) 2) ALL DIMENSIONS ARE AFTER PLATING. 3) BREAK CORNERS & EDGES .005 R. MAX. 4) CHAM. 1ST & LAST THREADS. 5) SURFACE ROUGHNESS 63-MIL-STD-10. 6) DIA'S ON COMMON CENTERS TO BE CONCENTRIC WITHIN .005 T.I.R. 7) REMOVE ALL BURRS |  2400 Centrepark West Drive, Suite 100 West Palm Beach, FL 33409 | | | | | | |
| FINISH: | SEE NOTES | | | | TITLE: | FEATHERMATE Mk.IV EVALUATION KIT | | | | |
| SURFACE AREA: | N/A | | | | | | | | | |
| PROPRIETARY | | THIRD ANGLE PROJECTION | DRAWN: | GPF 06/07/16 | | | | | | |
| THE INFORMATION CONTAINED IN THIS DRAWING IS THE SOLE PROPERTY OF SV MICROWAVE, INC. ANY REPRODUCTION IN PART OR AS A WHOLE WITHOUT THE WRITTEN PERMISSION OF SV MICROWAVE, INC IS PROHIBITED. | |  | CHECKED: | DAL 06/07/16 | | | | | | |
| | | | APPROVED: | DAL 06/07/16 | | | | | | |
| | | SIZE: | B | CAGE CODE: | 95077 | DWG. NO.: | FM Mk.IV - EVALKIT | SCALE: | 1:1 | SHEET 2 OF 3 |