

3M™ WIREMOUNT SOCKET PREASSEMBLED, 3000 SERIES
 .100" X .100" FOR .050" PITCH CABLE, (OPTIONAL PLASTIC OR METAL STRAIN RELIEF)

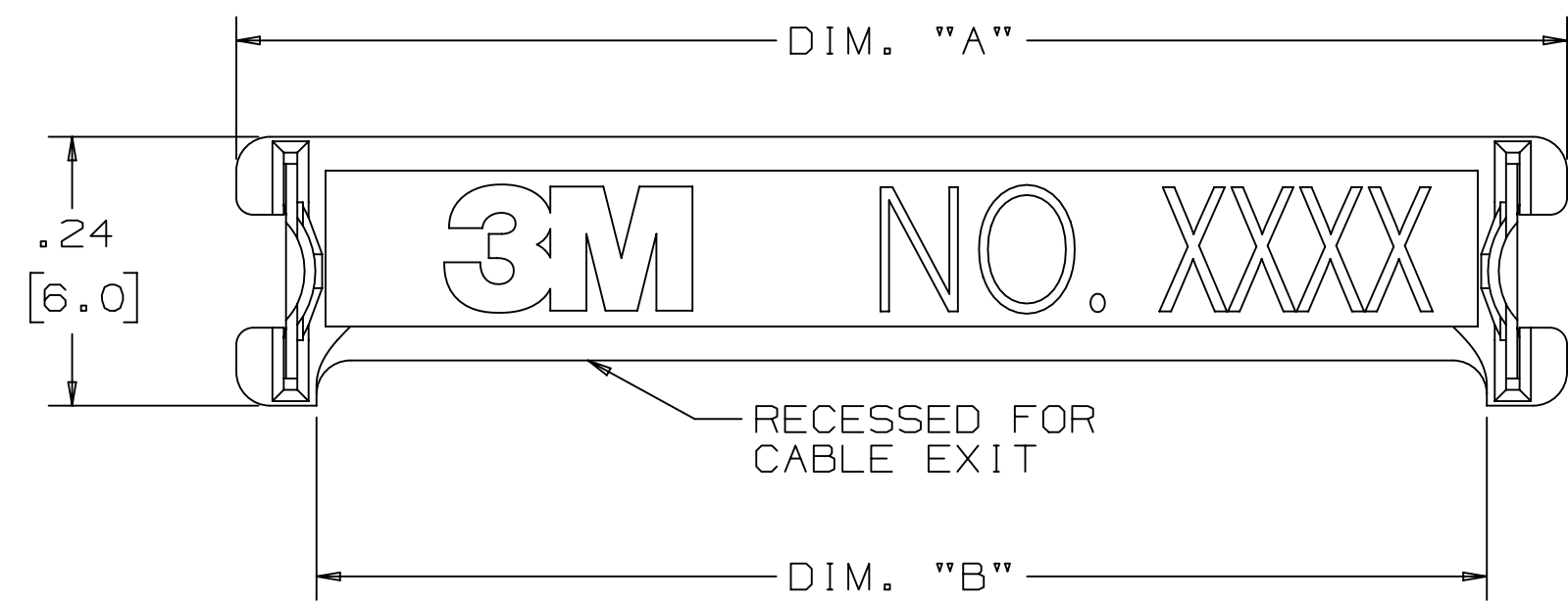
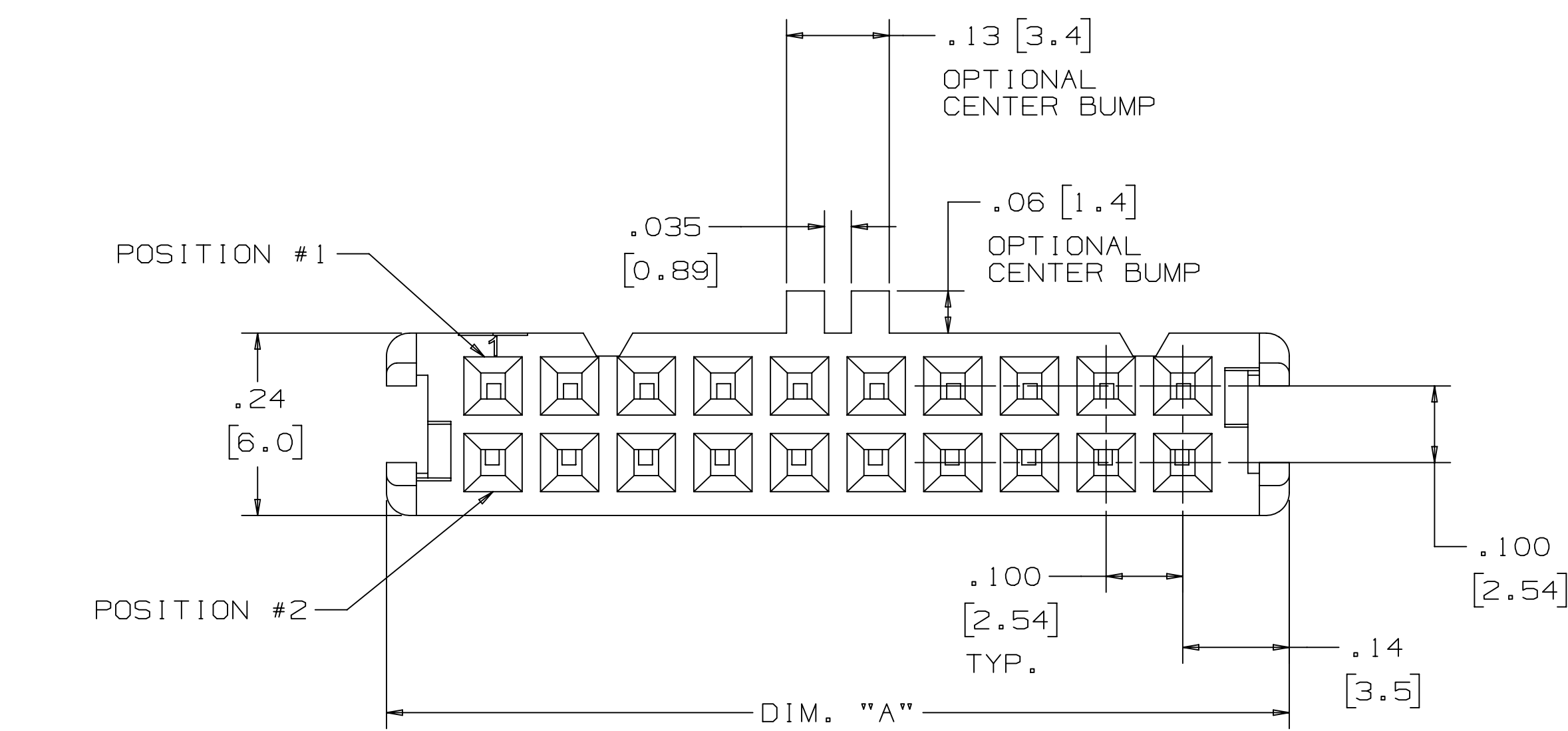
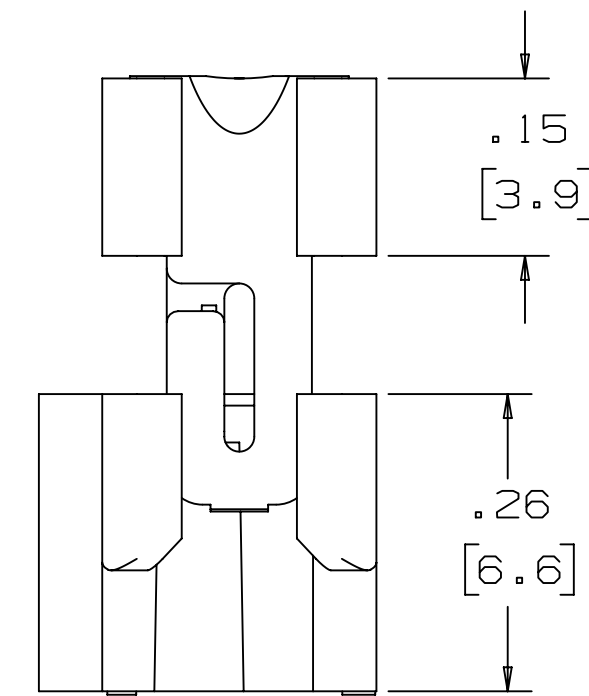
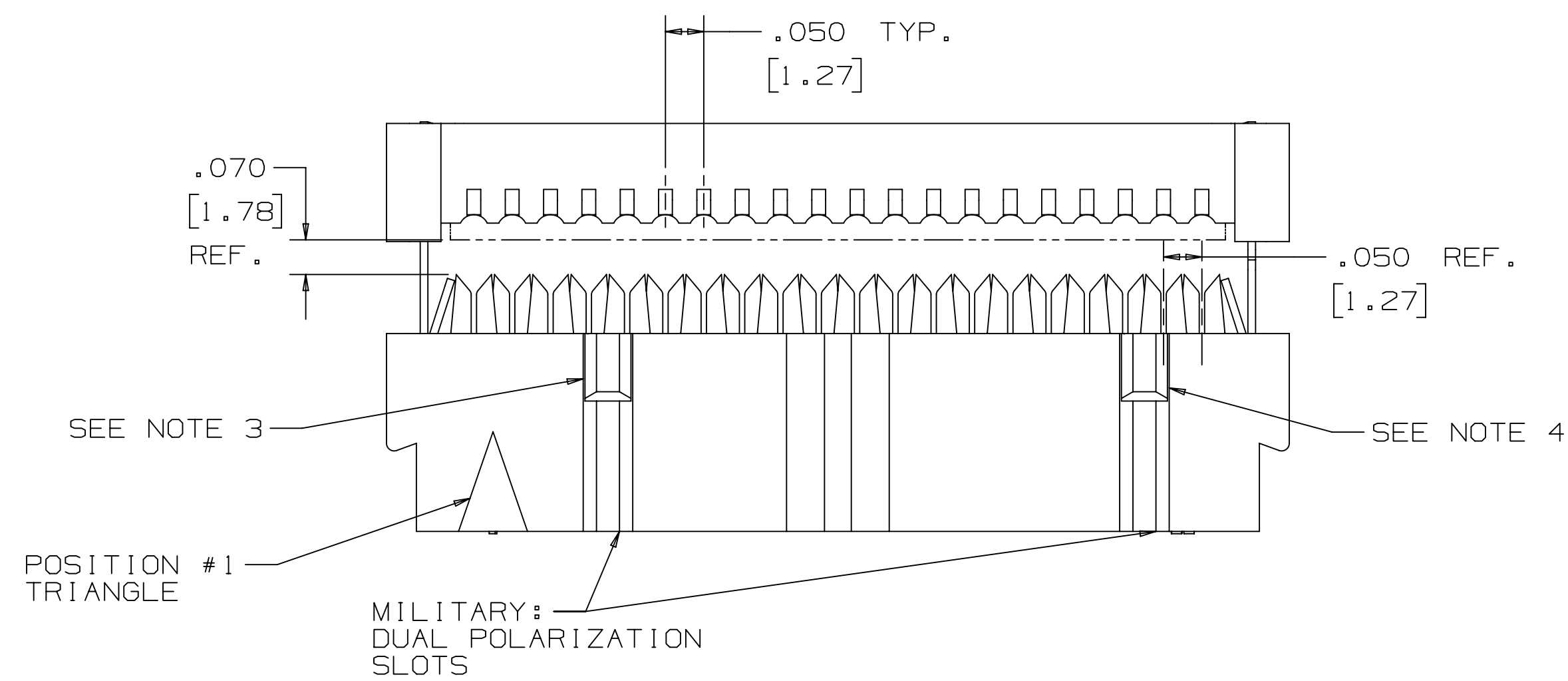


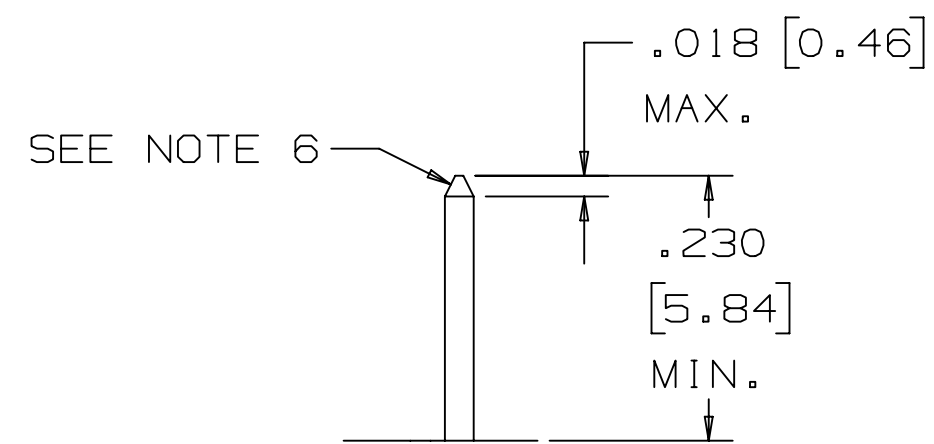
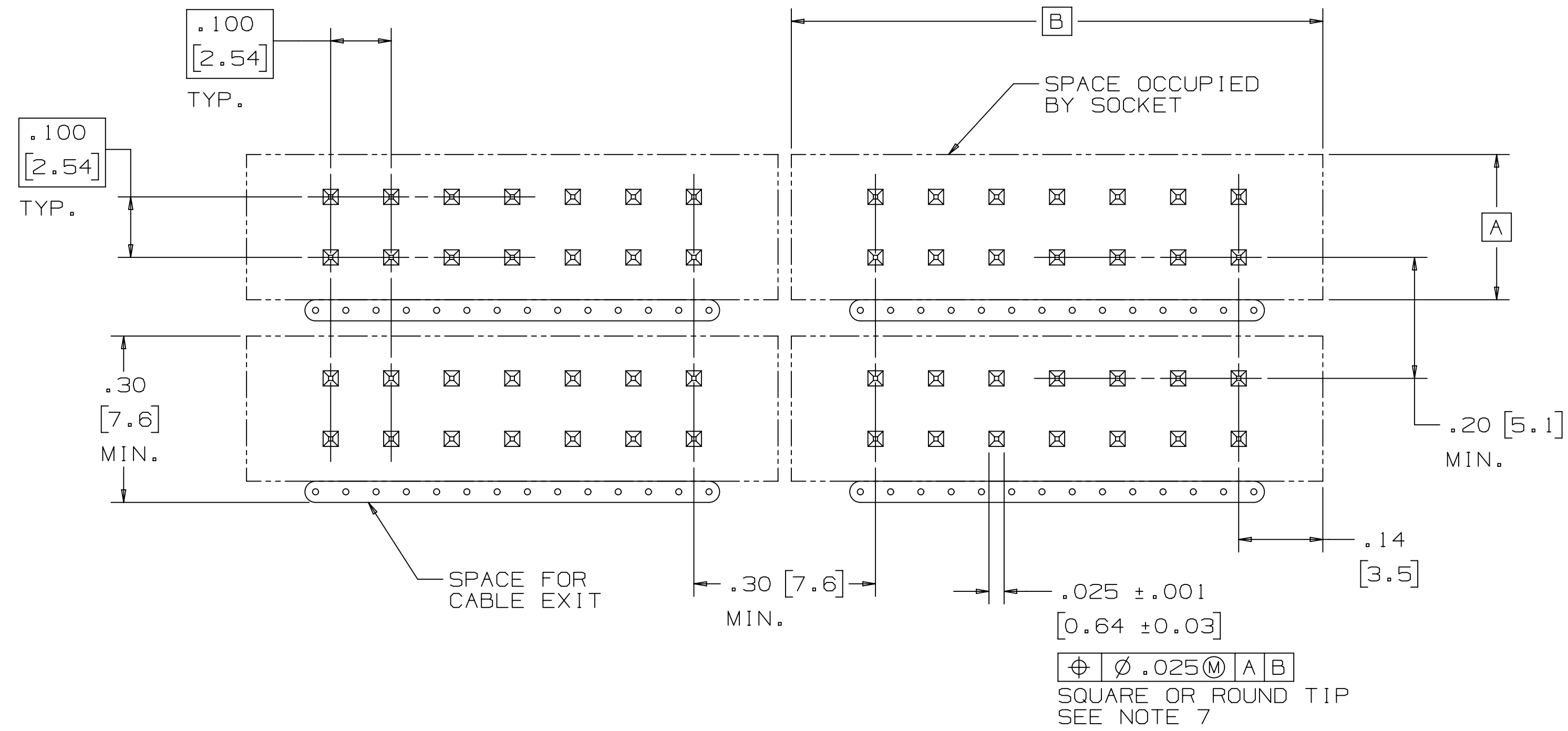
TABLE 1			
CONTACT QTY.	SOCKET SERIES	DIM. "A"	DIM. "B"
06	3863	0.48 [12.2]	0.34 [8.6]
08	3868	0.58 [14.7]	0.44 [11.2]
10	3473	0.68 [17.3]	0.54 [13.7]
14	3385	0.88 [22.4]	0.74 [18.8]
16	3452	0.98 [24.9]	0.84 [21.3]
20	3421	1.18 [30.0]	1.04 [26.4]
24	3626	1.38 [35.1]	1.24 [31.5]
26	3399	1.48 [37.6]	1.34 [34.0]
30	3419	1.68 [42.7]	1.54 [39.1]
34	3414	1.88 [47.8]	1.74 [44.2]
36	9436	1.98 [50.3]	1.84 [46.7]
40	3417	2.18 [55.4]	2.04 [51.8]
44	9444	2.38 [60.5]	2.24 [56.9]
50	3425	2.68 [68.1]	2.54 [64.5]
60	3334	3.18 [80.8]	3.04 [77.2]



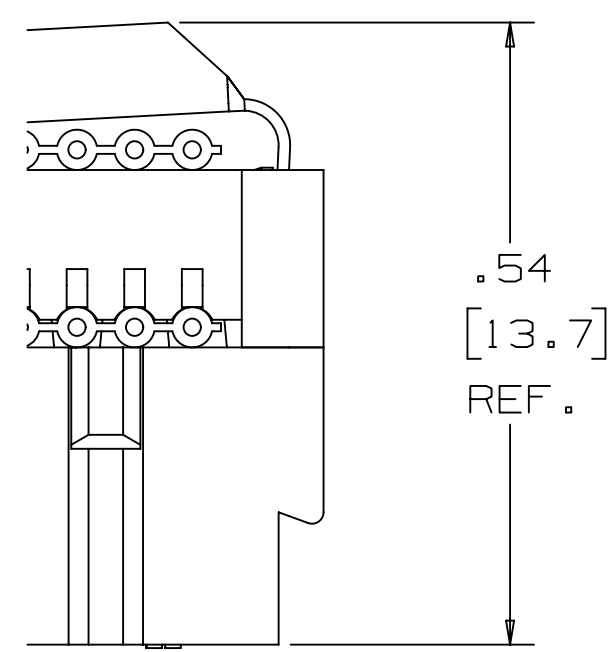
DESIGN REFERENCE	NEXT ASSEMBLY	REV	ECO	ISSUE DATE AND DESCRIPTION	DRFT	CHKD
				JUN 22, 2021 REVISED AND REDRAWN	JNC	SAN
APPROVED	DATE	DATE	DATE	DATE	DATE	DATE
CASTIGLIONE	JUN 22, 2021	MFG				
CHKD	DATE	APPV	DATE	DATE	DATE	DATE
		S. NEU	JUN 22, 2021			
DIVISION	DIVISION CODE	© 3M COPYRIGHT 2021 This document and the information it contains are 3M property and may not be reproduced or further distributed without 3M permission, or used or disclosed other than for 3M authorized purposes. All rights reserved.				
DO NOT SCALE DRAWING	SCALE 6/1	TOLERANCES EXCEPT AS NOTED	3M Center St. Paul, MN 55144			
THIRD ANGLE PROJECTION	INCHES .0 ± .1 .00 ± .01 .000 ± .005 .0000 ± .0002	MILLIMETERS 0 ± .1 .00 ± .01 .000 ± .002	TITLE WMT SKT, PREASS'Y, .100" X .100", .050" PITCH CABLE			
INTERPRET PER ASME Y14.5 - 2018	MAX SURFACE ROUGHNESS	ALL SURFACES	CAGE NUMBER	SIZE	DRAWING NO.	REV.
<input checked="" type="checkbox"/> MARKED ONLY			D78-5100-0719-4	F	78-5100-0719-4	F
			MODEL 3000	DET	IS1s	YES <input type="checkbox"/> NO <input type="checkbox"/> SHT 2 OF 4

78-5100-0719-4
DRAWING NUMBER
REVISION

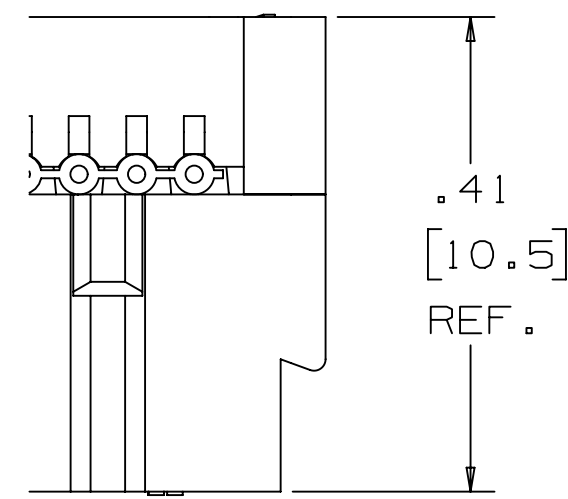
3M™ WIREMOUNT SOCKET PREASSEMBLED, 3000 SERIES
 .100" X .100" FOR .050" PITCH CABLE, (OPTIONAL PLASTIC OR METAL STRAIN RELIEF)



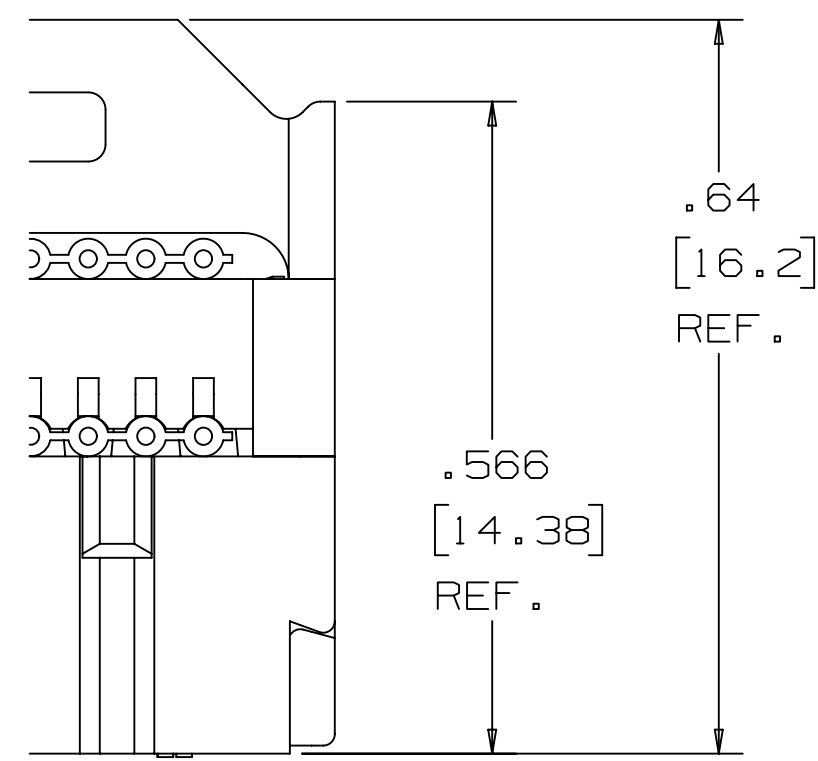
RECOMMENDED PIN PATTERN FOR STACKED CONFIGURATIONS



ASSEMBLED HEIGHT WITH METAL PROFILE STRAIN RELIEF



ASSEMBLED HEIGHT WITHOUT STRAIN RELIEF



ASSEMBLED HEIGHT WITH PLASTIC STRAIN RELIEF

DESIGN REFERENCE		NEXT ASSEMBLY		REV	ECO	ISSUE DATE AND DESCRIPTION		DRFT	CHKD
97305		JUN 22, 2021		JNC	SAN	REVISED AND REDRAWN			
DRFT CASTIGLIONE		DATE JUN 22, 2021		MFG		DATE			
CHKD		DATE		APPV		DATE			
DIVISION		DIVISION CODE		3M Center		This document and the information it contains are 3M property and may not be reproduced or further distributed without 3M permission, or used or disclosed other than for 3M authorized purposes. All rights reserved.			
DO NOT SCALE DRAWING		SCALE 6/1		EMSD		© 3M COPYRIGHT 2021			
THIRD ANGLE PROJECTION		TOLERANCES EXCEPT AS NOTED		INCHES		.00 ± .01			
INTERPRET PER ASME Y14.5 - 2018		MILLIMETERS		.000 ± .005		.0000 ± .0002			
MAX. SURFACE ROUGHNESS		ALL SURFACES		.00 ± .000		.000 ± .000			
MARKED ONLY		ANGLES		CAGE NUMBER		DRAWING NO.		REV.	
				D78-5100-0719-4		F		SHT 3 OF 4	
		MODEL 3000		DET		YES NO		SHT 3 OF 4	