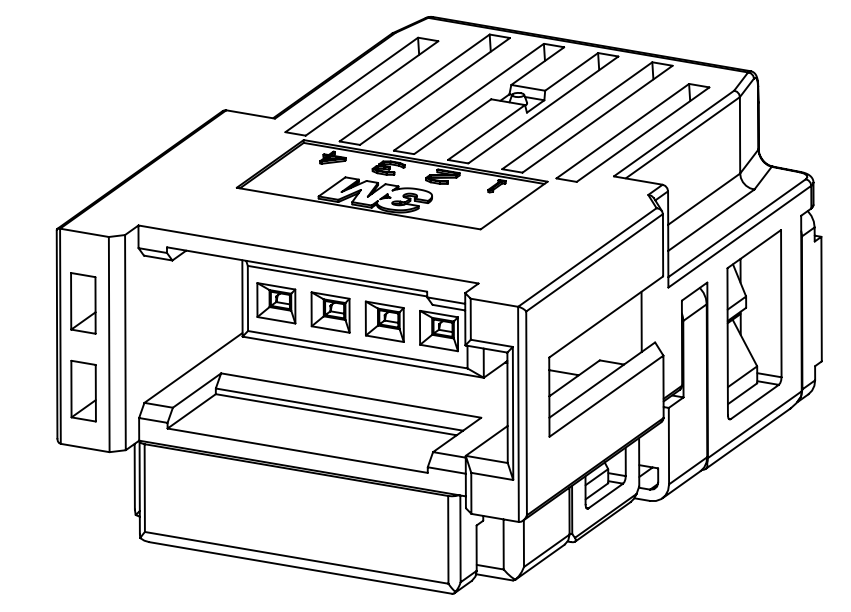


3M™ BRANCH MINI-CLAMP LINK CONNECTOR, 38A SERIES  
WIREMOUNT CONNECTOR, JUNCTION TYPE

- \* ENABLES DIRECT CONNECTION FROM SENSOR WIRES TO NETWORK CABLES.
- \* PROVIDES BRANCHING FROM MAIN BUS LINE TO SENSORS VIA 3M MINI-CLAMP CONNECTOR.
- \* ENABLES SIMPLER SYSTEMS WITH DIRECT-TO-NETWORK CONNECTOR WITH LESS CABLE AND LOWER LETENCY.
- \* COMPATIBLE WITH NETWORK CABLE 16 TO 22AWG.
- \* EASY, LABOR SAVING AND RELIABLE IDC TERMINATION.
- \* EASY FIELD TERMINATION WITH NO SPECIAL WIRE PREPARATION, NO STRIPPING, TINNING OR SPECIAL TOOLING.
- \* CAN TERMINATE WITH A CONNON PAIR OF PLIERS.
- \* LATCHING MECHANISM MAINTAINS A RELIABLE INTERCONNECTION IN DEMANDING FIELD APPLICATIONS.
- \* HIGH NUMBER OF MATING CYCLES.

- NOTES
- REGULATORY INFORMATION:  
VISIT 3M.com/regs
  - IN THE EVENT OF CONFLICT BETWEEN THIS DATA AND THAT CONTAINED IN THE PRODUCT SPECIFICATION, THE PRODUCT SPECIFICATION TAKES PRECEDENT.
  - FOR STEP BY STEP ASSEMBLY GUIDE, SEE INSTRUCTION SHEET 78-9101-5360-6.



-00XX

2 PHYSICAL :

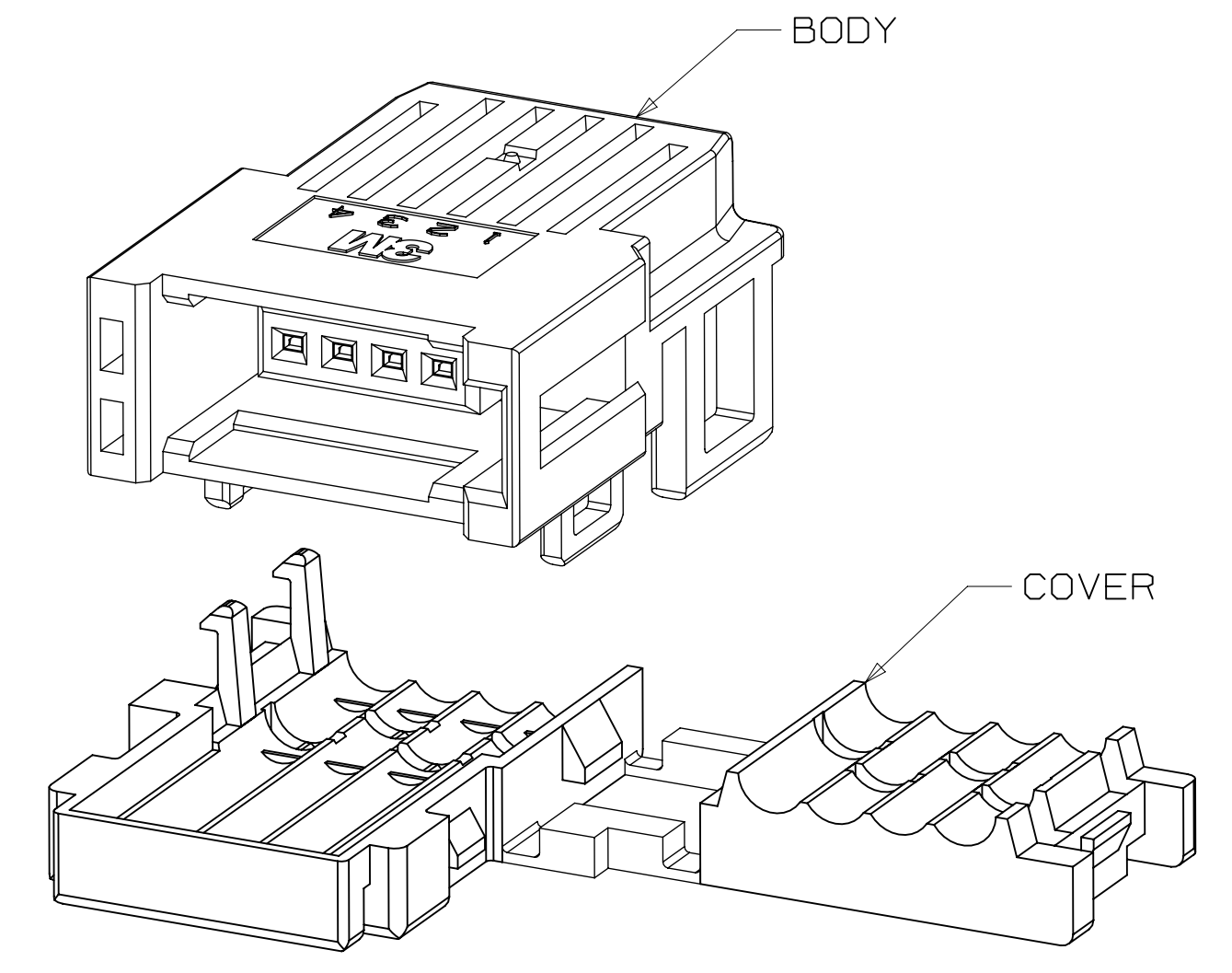
INSULATION:  
BODY: PBT/PBT PLASTIC  
COVER: TOP (PC), BOTTOM (NYLON)  
FLAMMABILITY: UL94V-0  
COLOR:  
BODY: BLACK, GRAY OR RED  
COVER: BLACK  
CONTACT:  
MATERIAL: COPPER ALLOY  
PLATING:  
UNDER PLATING: NICKEL  
WIPING AREA: 0.2µm MIN. GOLD  
MARKINGS: 3M LOGO, POSITION INDICATOR, WIRE GAUGE AND INSULATOR MATERIAL

2 ELECTRICAL :

CURRENT RATING: 3.0 AMPS  
INSULATION RESISTANCE: >1 X 10<sup>6</sup>Ω AT 500 V<sub>DC</sub>  
WITHSTANDING VOLTAGE: 1,000V<sub>RMS</sub> AT SEA LEVEL  
VOLTAGE RATING: 32 VOLTS

2 ENVIRONMENTAL :

TEMPERATURE RATING: 20°C TO +85°C AMBIENT (1.0A MAX.)  
-20°C TO +75°C AMBIENT (2.0A MAX.)  
-20°C TO +60°C AMBIENT (3.0A MAX.)



3 PRE-ASSEMBLED VIEW

ORDERING INFORMATION  
38A04-00XX-X00 FL

SERIES NO. | COMPATIBLE CABLE | BODY AND COVER COLOR:  
 16: 16AWG (1.25 SQ) | 0: BODY (BLACK), COVER (BLACK)  
 18: 18AWG (0.75 SQ) | 1: BODY (GRAY), COVER (BLACK)  
 20: 20AWG (0.50 SQ) | 2: BODY (RED), COVER (BLACK)

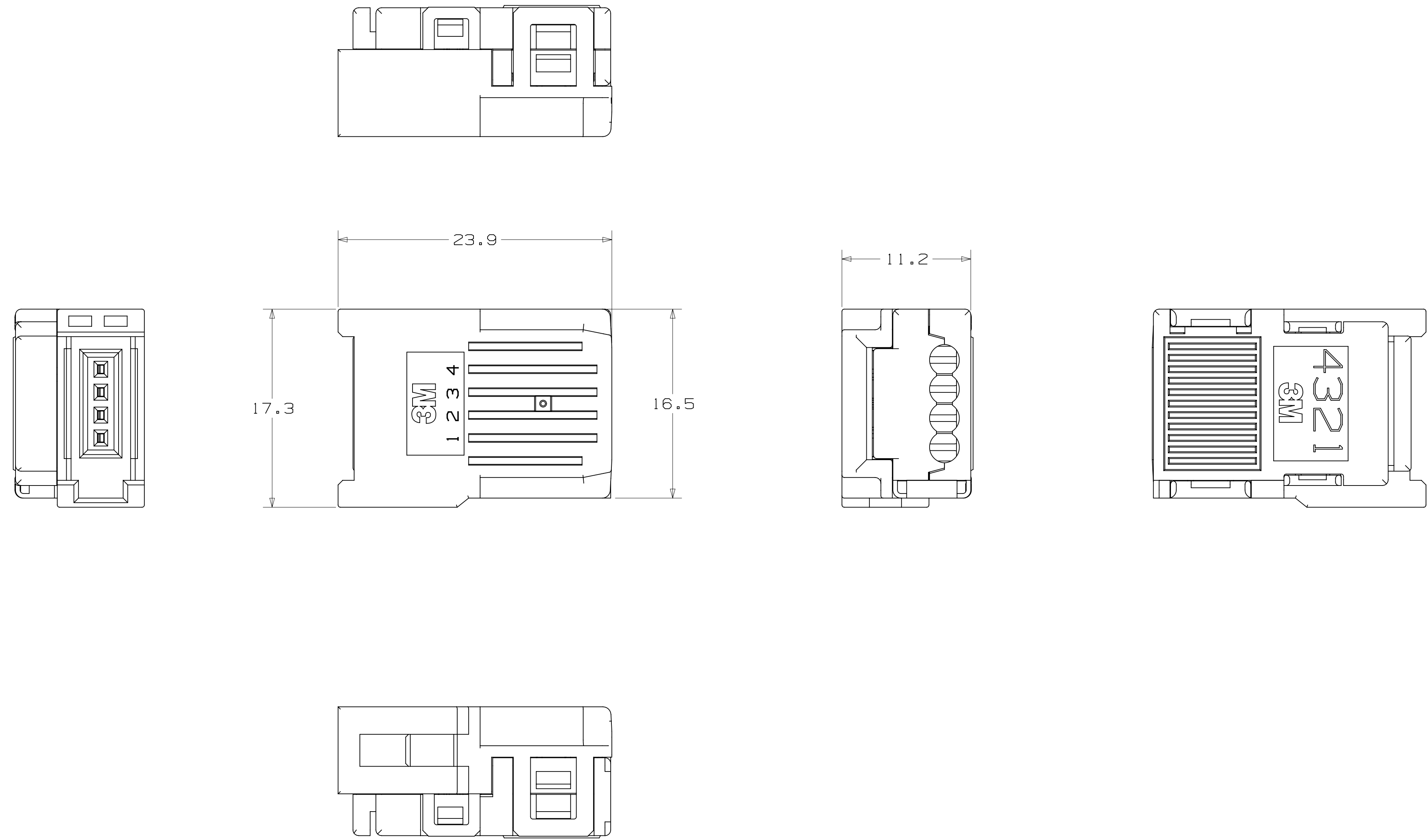
3M ELECTRONICS MATERIALS SOLUTIONS DIVISION  
INTERCONNECT SOLUTIONS  
<http://www.3M.com/interconnect>  
3M IS A TRADEMARK OF 3M COMPANY.  
FOR TECHNICAL, SALES OR ORDERING  
INFORMATION CALL 800-225-5373

MM	
TOLERANCE - UNLESS NOTED	
X.X	X.XX
MM ±0.1	±0.10

DESIGN REFERENCE	NEXT ASSEMBLY	REV	ECO	ISSUE DATE AND DESCRIPTION	DRFT	CHKD
				FEB 13, 2020 PRODUCTION RELEASE	JNC	FJR
APPROVED	DATE	APPROVED	DATE	This document and the information it contains are 3M property and may not be reproduced or further distributed without 3M permission, or used or disclosed other than for 3M authorized purposes. All rights reserved.		
APPROVED	DATE	APPROVED	DATE	© 3M COPYRIGHT 2020 3M Center St. Paul, MN 55144		
APPROVED	DATE	APPROVED	DATE	TITLE BRANCH MINI-CLAMP LINK CONN., 38A SERIES		
APPROVED	DATE	APPROVED	DATE	CAGE NUMBER	SIZE	DRAWING NO.
				D		78-5100-2697-0
APPROVED	DATE	APPROVED	DATE	MODEL	REV.	
				38A04	A	

78-5100-2697-0  
 DRAWING NUMBER  
 A REVISION  
 B  
 C  
 D  
 E  
 F  
 G  
 H  
 I  
 J  
 K  
 L  
 M  
 N  
 O  
 P  
 Q  
 R  
 S  
 T  
 U  
 V  
 W  
 X  
 Y  
 Z  
 Time 2/19/2020 -- UTC  
 Drf-set (hrs) 6  
 Image: Central Standard

3M™ BRANCH MINI-CLAMP LINK CONNECTOR, 38A SERIES  
 WIREMOUNT CONNECTOR, JUNCTION TYPE

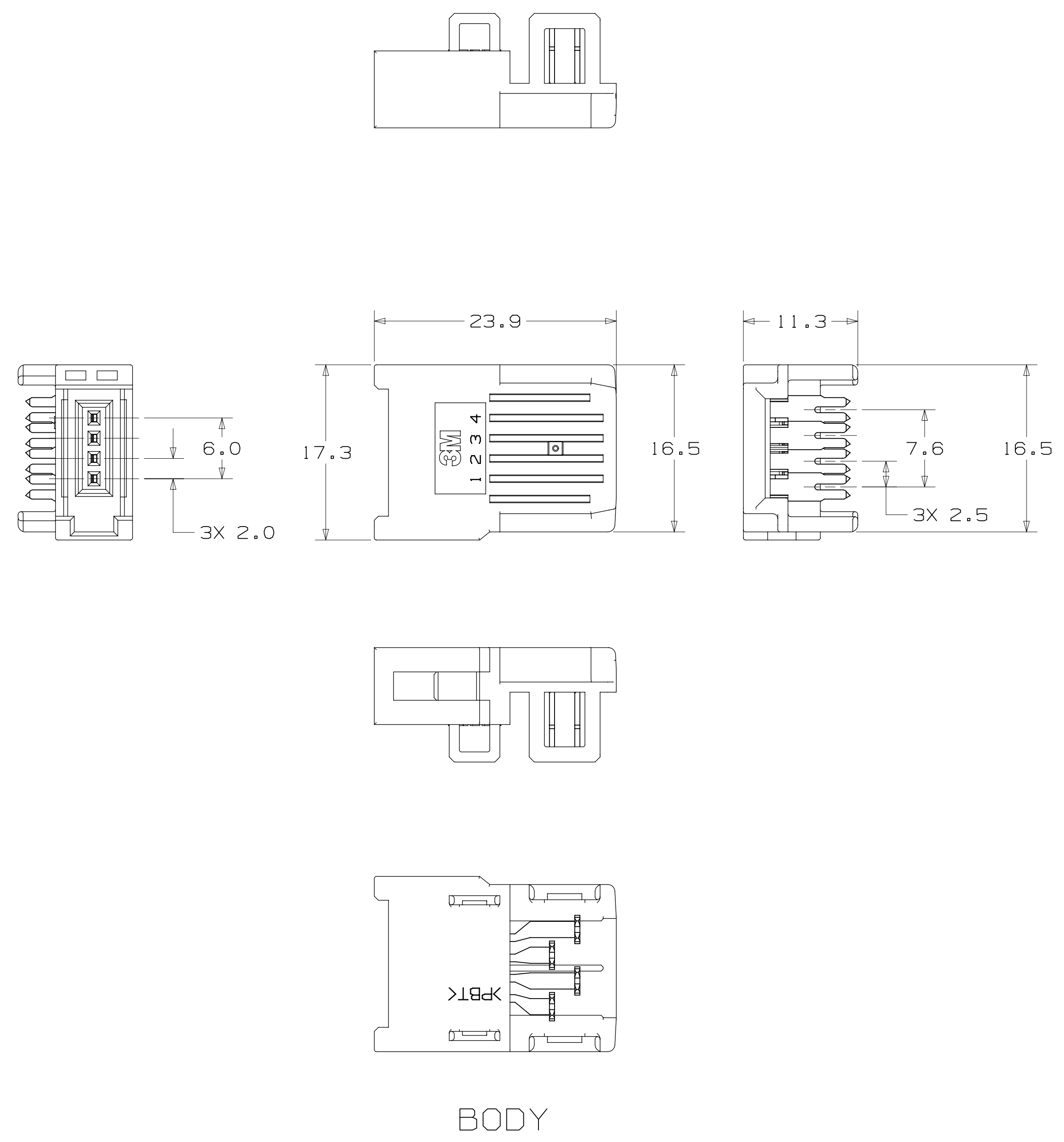
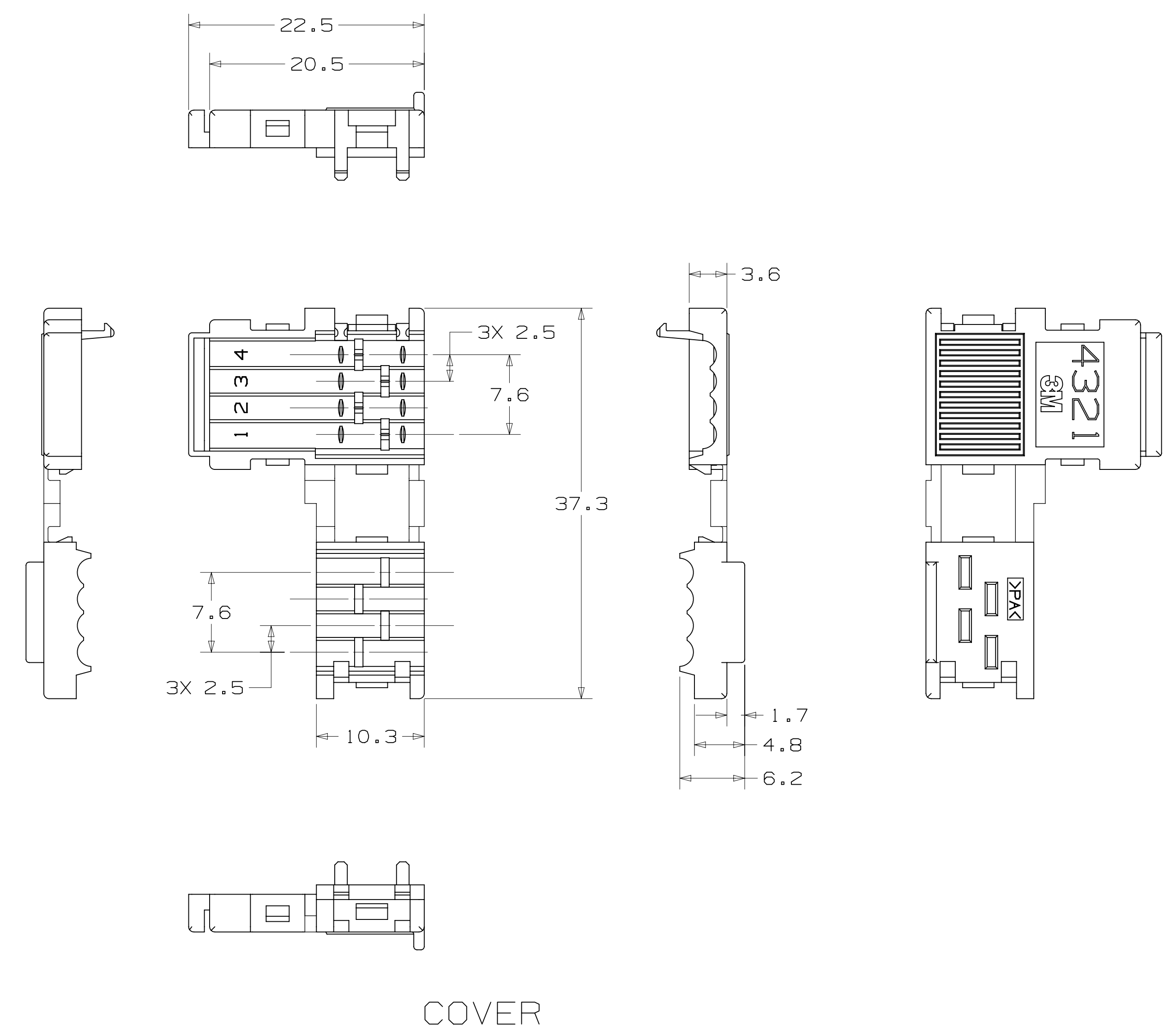


3M ELECTRONICS MATERIALS SOLUTIONS DIVISION  
 INTERCONNECT SOLUTIONS  
<http://www.3M.com/interconnect>  
 3M IS A TRADEMARK OF 3M COMPANY.  
 FOR TECHNICAL, SALES OR ORDERING  
 INFORMATION CALL 800-225-5373

DESIGN REFERENCE	NEXT ASSEMBLY	REV	ECO	ISSUE DATE AND DESCRIPTION	DRFT	CHKD
				FEB 13, 2020 PRODUCTION RELEASE	JNC	FJR
APPROVED	DATE	DATE	DATE	DATE	DATE	DATE
CASTIGLIONE	DEC 11, 2019	MFG				
CHKD	DATE	APPRV	DATE	DATE	DATE	DATE
		F. RODRIGUEZ	DEC 11, 2019			
DIVISION	DIVISION CODE	© 3M COPYRIGHT 2020				
	EMSD	This document and the information it contains are 3M property and may not be reproduced or further distributed without 3M permission, or used or disclosed other than for 3M authorized purposes. All rights reserved.				
DO NOT SCALE DRAWING	SCALE 4/1	TOLERANCES EXCEPT AS NOTED	3M Center St. Paul, MN 55144			
THIRD ANGLE PROJECTION	INCHES	.00 ±	TITLE			
INTERPRET PER ASME Y14.5 - 2009	MILLIMETERS	.000 ±	BRANCH MINI-CLAMP LINK CONN., 38A SERIES			
MAX SURFACE ROUGHNESS	0 ±	.000 ±	CAGE NUMBER	SIZE	DRAWING NO.	REV.
MARKED ONLY	0 ±	.000 ±	D	78-5100-2697-0	A	A
	200 ±	0 ±	MODEL	38A04	DET	IS1s <input type="checkbox"/> YES <input checked="" type="checkbox"/> NO SHT 2 OF 4

78-5100-2697-0  
 DRAWING NUMBER  
 A  
 REV. 1  
 6  
 Dfn-set (hrs)  
 -- UTC  
 Time 2/19/2020

3M™ BRANCH MINI-CLAMP LINK CONNECTOR, 38A SERIES  
 WIREMOUNT CONNECTOR, JUNCTION TYPE



3M ELECTRONICS MATERIALS SOLUTIONS DIVISION  
 INTERCONNECT SOLUTIONS  
<http://www.3M.com/interconnect>  
 3M IS A TRADEMARK OF 3M COMPANY.  
 FOR TECHNICAL, SALES OR ORDERING  
 INFORMATION CALL 800-225-5373

DESIGN REFERENCE	NEXT ASSEMBLY	REV	ECO	ISSUE DATE AND DESCRIPTION	DRFT	CHKD
				DEC 11, 2019		
DIVISION		DIVISION CODE		DATE		
DO NOT SCALE DRAWING		SCALE 3/1		TOLERANCES EXCEPT AS NOTED		
THIRD ANGLE PROJECTION		INTERPRET PER ASME Y14.5 - 2009		MAX SURFACE ROUGHNESS		
				MARKED ONLY		
CAGE NUMBER		SIZE		DRAWING NO.		REV.
D78-5100-2697-0		A		SHT 3 OF 4		

78-5100-2697-0  
 DRAWING NUMBER  
 A  
 REV. DATE  
 DEC 11, 2019  
 MFG DATE  
 DEC 11, 2019  
 APPROV  
 F. RODRIGUEZ  
 DATE  
 DEC 11, 2019  
 © 3M COPYRIGHT 2020  
 This document and the information it contains are 3M property and may not be reproduced or further distributed without 3M permission, or used or disclosed other than for 3M authorized purposes. All rights reserved.  
 3M Center St. Paul, MN 55144  
 Time 2/19/2020 -- UTC Off-set (hrs) 6  
 Imaged: Central Standard