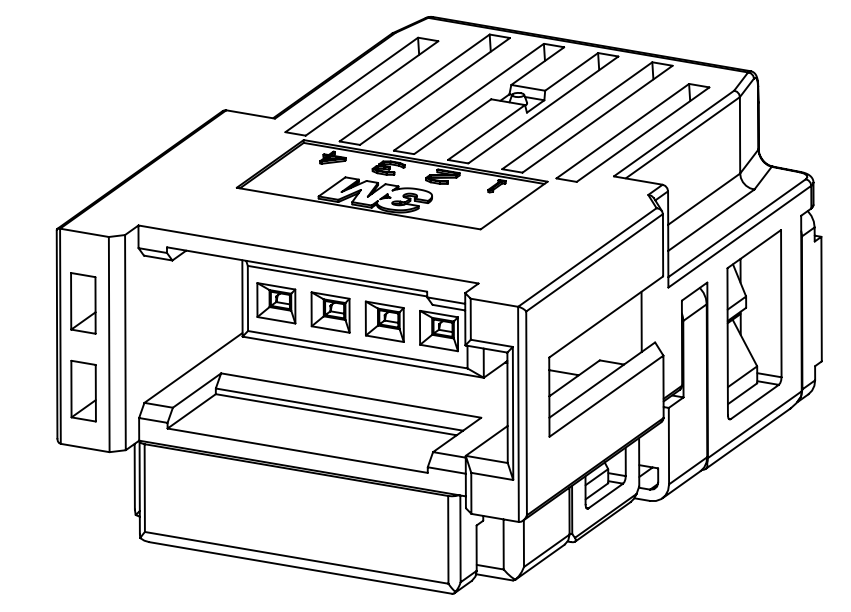


3M™ BRANCH MINI-CLAMP LINK CONNECTOR, 38A SERIES  
WIREMOUNT CONNECTOR, JUNCTION TYPE

- \* ENABLES DIRECT CONNECTION FROM SENSOR WIRES TO NETWORK CABLES.
- \* PROVIDES BRANCHING FROM MAIN BUS LINE TO SENSORS VIA 3M MINI-CLAMP CONNECTOR.
- \* ENABLES SIMPLER SYSTEMS WITH DIRECT-TO-NETWORK CONNECTOR WITH LESS CABLE AND LOWER LETENCY.
- \* COMPATIBLE WITH NETWORK CABLE 16 TO 22AWG.
- \* EASY, LABOR SAVING AND RELIABLE IDC TERMINATION.
- \* EASY FIELD TERMINATION WITH NO SPECIAL WIRE PREPARATION, NO STRIPPING, TINNING OR SPECIAL TOOLING.
- \* CAN TERMINATE WITH A CONNON PAIR OF PLIERS.
- \* LATCHING MECHANISM MAINTAINS A RELIABLE INTERCONNECTION IN DEMANDING FIELD APPLICATIONS.
- \* HIGH NUMBER OF MATING CYCLES.

- NOTES
- REGULATORY INFORMATION: VISIT 3M.com/regs
  - IN THE EVENT OF CONFLICT BETWEEN THIS DATA AND THAT CONTAINED IN THE PRODUCT SPECIFICATION, THE PRODUCT SPECIFICATION TAKES PRECEDENT.
  - FOR STEP BY STEP ASSEMBLY GUIDE, SEE INSTRUCTION SHEET 78-9101-5360-6.



-00XX

2 PHYSICAL :

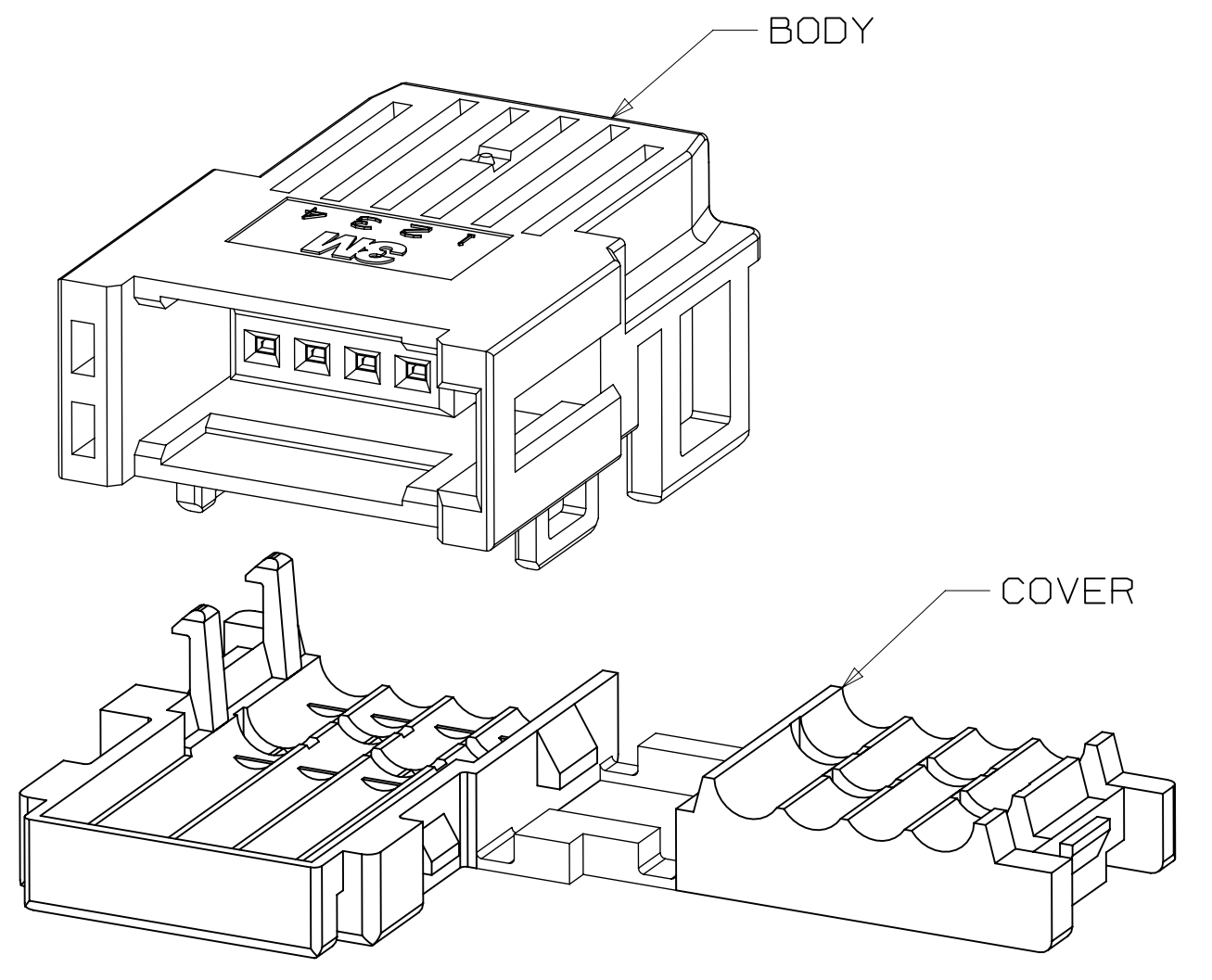
INSULATION:  
 BODY: PBT/PBT PLASTIC  
 COVER: TOP (PC), BOTTOM (NYLON)  
 FLAMMABILITY: UL94V-0  
 COLOR:  
 BODY: BLACK, GRAY OR RED  
 COVER: BLACK  
 CONTACT:  
 MATERIAL: COPPER ALLOY  
 PLATING:  
 UNDER PLATING: NICKEL  
 WIPING AREA: 0.2µm MIN. GOLD  
 MARKINGS: 3M LOGO, POSITION INDICATOR, WIRE GAUGE AND INSULATOR MATERIAL

2 ELECTRICAL :

CURRENT RATING: 3.0 AMPS  
 INSULATION RESISTANCE: >1 X 10<sup>9</sup>Ω AT 500 V<sub>DC</sub>  
 WITHSTANDING VOLTAGE: 1,000V<sub>RMS</sub> AT SEA LEVEL  
 VOLTAGE RATING: 32 VOLTS

2 ENVIRONMENTAL :

TEMPERATURE RATING: 20°C TO +85°C AMBIENT (1.0A MAX.)  
 -20°C TO +75°C AMBIENT (2.0A MAX.)  
 -20°C TO +60°C AMBIENT (3.0A MAX.)



3 PRE-ASSEMBLED VIEW

ORDERING INFORMATION  
38A04-00XX-X00 FL

SERIES NO. | COMPATIBLE CABLE | BODY AND COVER COLOR:  
 0: BODY (BLACK), COVER (BLACK)  
 1: BODY (GRAY), COVER (BLACK)  
 2: BODY (RED), COVER (BLACK)

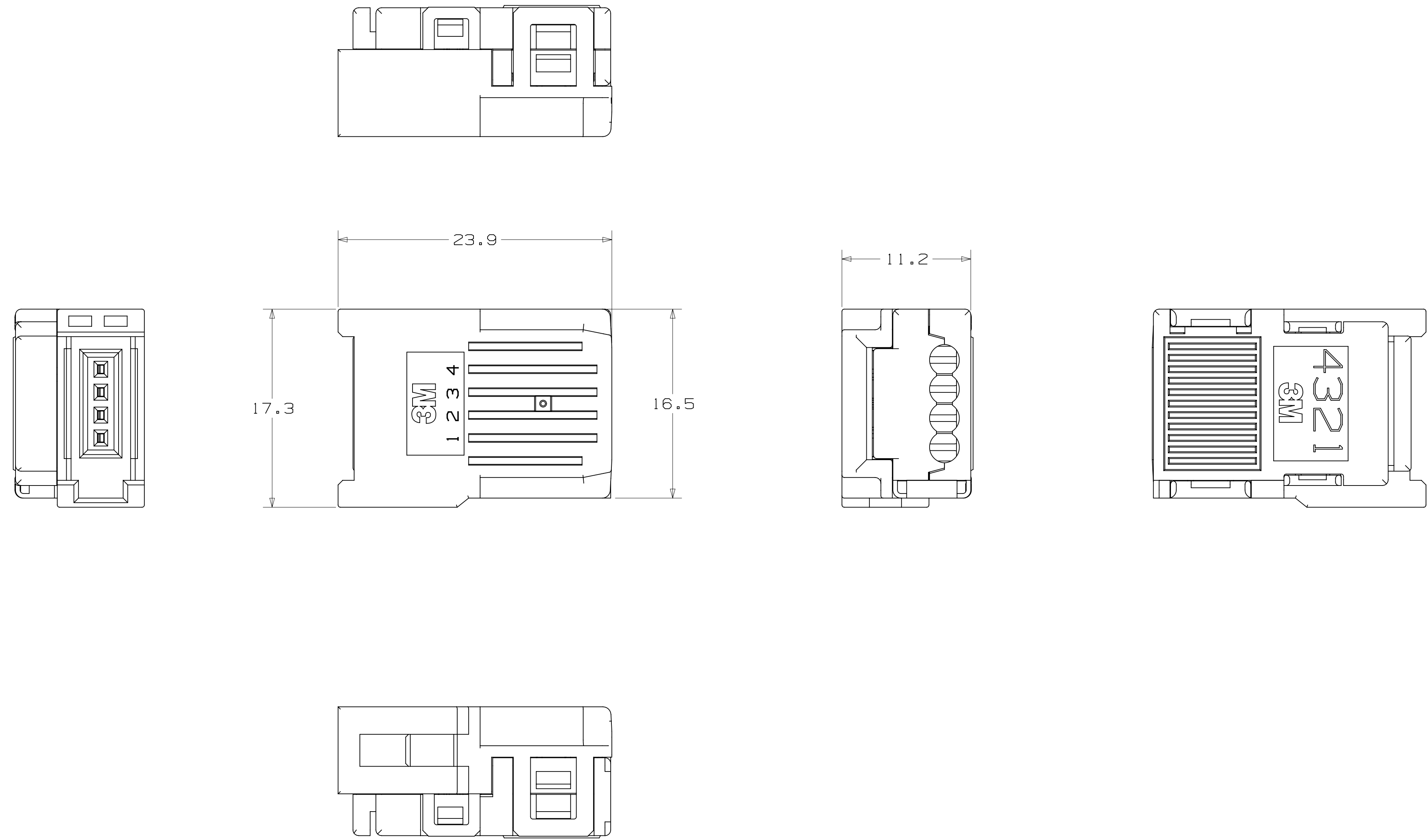
3M ELECTRONICS MATERIALS SOLUTIONS DIVISION  
 INTERCONNECT SOLUTIONS  
<http://www.3M.com/interconnect>  
 3M IS A TRADEMARK OF 3M COMPANY.  
 FOR TECHNICAL, SALES OR ORDERING  
 INFORMATION CALL 800-225-5373

MM	
TOLERANCE - UNLESS NOTED	
X.X	X.XX
MM ±0.1	±0.10

DESIGN REFERENCE	NEXT ASSEMBLY	REV	ECO	ISSUE DATE AND DESCRIPTION	DRFT	CHKD
				FEB 13, 2020 PRODUCTION RELEASE	JNC	FJR
APPROVED	DATE	APPROVED	DATE	© 3M COPYRIGHT 2020 This document and the information it contains are 3M property and may not be reproduced or further distributed without 3M permission, or used or disclosed other than for 3M authorized purposes. All rights reserved.		
CASTIGLIONE	DEC 11, 2019	F. RODRIGUEZ	DEC 11, 2019	BRANCH MINI-CLAMP LINK CONN., 38A SERIES		
CAGE NUMBER	SIZE	DRAWING NO.	REV.	MODEL 38A04		
D		78-5100-2697-0	A	SHT 1 OF 4		

78-5100-2697-0  
 6  
 1  
 2  
 3  
 4  
 5  
 6  
 7  
 8  
 A  
 B  
 C  
 D  
 Time 2/19/2020 -- UTC  
 Drf-set (hrs) 6  
 Standard  
 Central  
 Imaged:

3M™ BRANCH MINI-CLAMP LINK CONNECTOR, 38A SERIES  
 WIREMOUNT CONNECTOR, JUNCTION TYPE

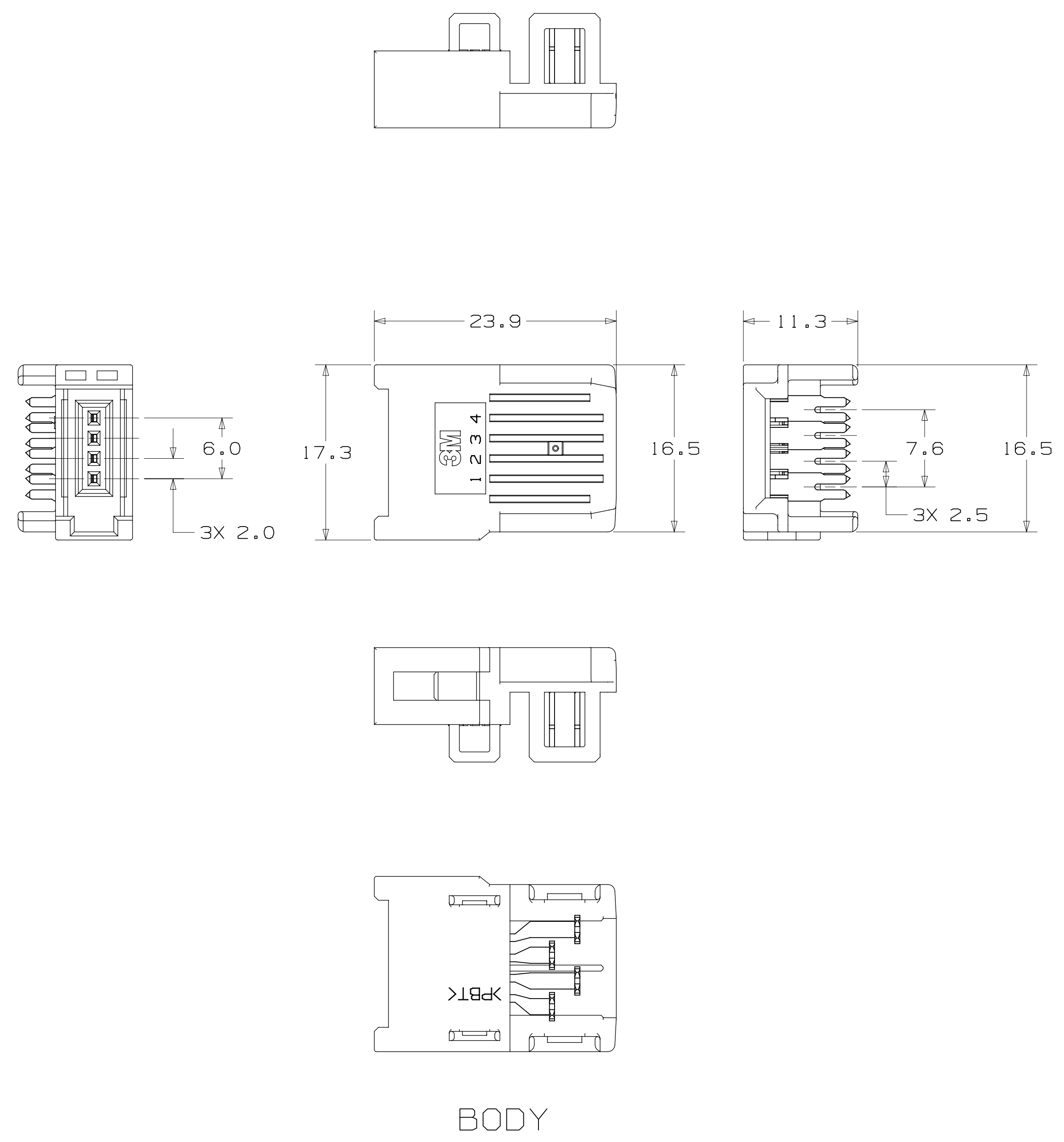
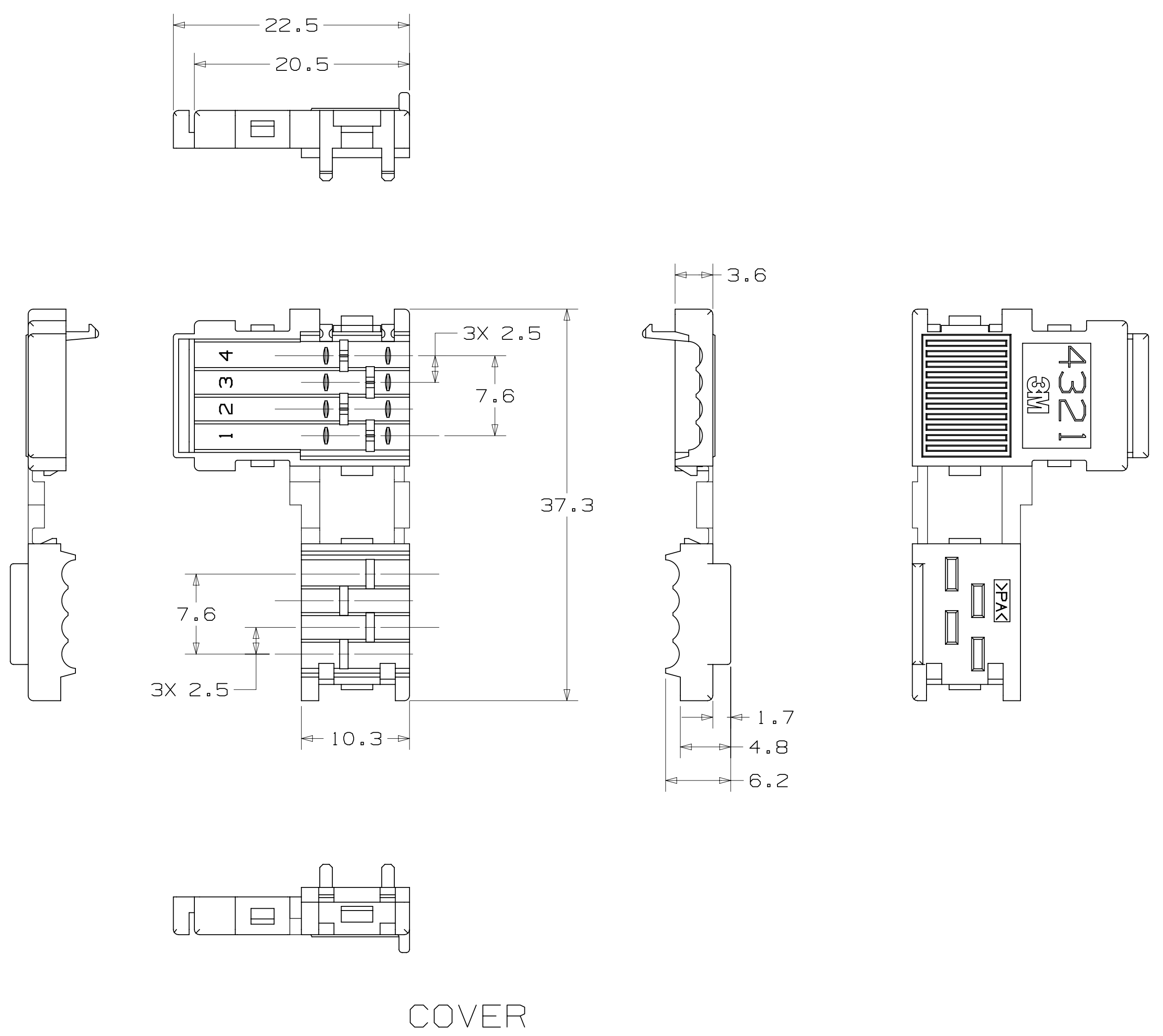


3M ELECTRONICS MATERIALS SOLUTIONS DIVISION  
 INTERCONNECT SOLUTIONS  
<http://www.3M.com/interconnect>  
 3M IS A TRADEMARK OF 3M COMPANY.  
 FOR TECHNICAL, SALES OR ORDERING  
 INFORMATION CALL 800-225-5373

DESIGN REFERENCE	NEXT ASSEMBLY	REV	ECO	ISSUE DATE AND DESCRIPTION	DRFT	CHKD
APPROVED	DATE	APPROVED	DATE	© 3M COPYRIGHT 2020 This document and the information it contains are 3M property and may not be reproduced or further distributed without 3M permission, or used or disclosed other than for 3M authorized purposes. All rights reserved.		
APPROVED	DATE	APPROVED	DATE	TITLE <b>BRANCH MINI-CLAMP LINK CONN., 38A SERIES</b>		
APPROVED	DATE	APPROVED	DATE	CAGE NUMBER	SIZE	DRAWING NO.
				D		78-5100-2697-0
				MODEL	38A04	REV. A
				DET. <input type="checkbox"/> YES <input checked="" type="checkbox"/> NO	SHT 2 OF 4	

78-5100-2697-0  
 DRAWING NUMBER  
 A  
 REV. 1  
 6  
 (hrs)  
 Drr-set  
 -- UTC  
 Time 2/19/2020

3M™ BRANCH MINI-CLAMP LINK CONNECTOR, 38A SERIES  
 WIREMOUNT CONNECTOR, JUNCTION TYPE



3M ELECTRONICS MATERIALS SOLUTIONS DIVISION  
 INTERCONNECT SOLUTIONS  
<http://www.3M.com/interconnect>  
 3M IS A TRADEMARK OF 3M COMPANY.  
 FOR TECHNICAL, SALES OR ORDERING  
 INFORMATION CALL 800-225-5373

DESIGN REFERENCE	NEXT ASSEMBLY	REV	ECO	ISSUE DATE AND DESCRIPTION	DRFT	CHKD
				DEC 11, 2019		
DIVISION		DIVISION CODE		DATE		
EMSD		EMSD		DEC 11, 2019		
DO NOT SCALE DRAWING	SCALE 3/1	TOLERANCES EXCEPT AS NOTED		© 3M COPYRIGHT 2020 This document and the information it contains are 3M property and may not be reproduced or further distributed without 3M permission, or used or disclosed other than for 3M authorized purposes. All rights reserved.		
THIRD ANGLE PROJECTION	INTERPRET PER ASME Y14.5 - 2009	MILLIMETERS		TITLE		
MAX SURFACE ROUGHNESS	MARKED SURFACES	INCHES		BRANCH MINI-CLAMP LINK CONN., 38A SERIES		
MARKED ONLY		ANGLES		CAGE NUMBER		
				D 78-5100-2697-0		
				REV. A		
				SHT 3 OF 4		

78-5100-2697-0  
 DRAWING NUMBER  
 A  
 REV. 1  
 DATE DEC 11, 2019  
 MFG DATE  
 CHKD CASTIGLIONE  
 APPR F. RODRIGUEZ  
 DIVISION EMSD  
 3M Center St. Paul, MN 55144  
 TIME 2/19/2020 -- UTC  
 OFF-set (hrs) 6  
 Imaged: Central Standard