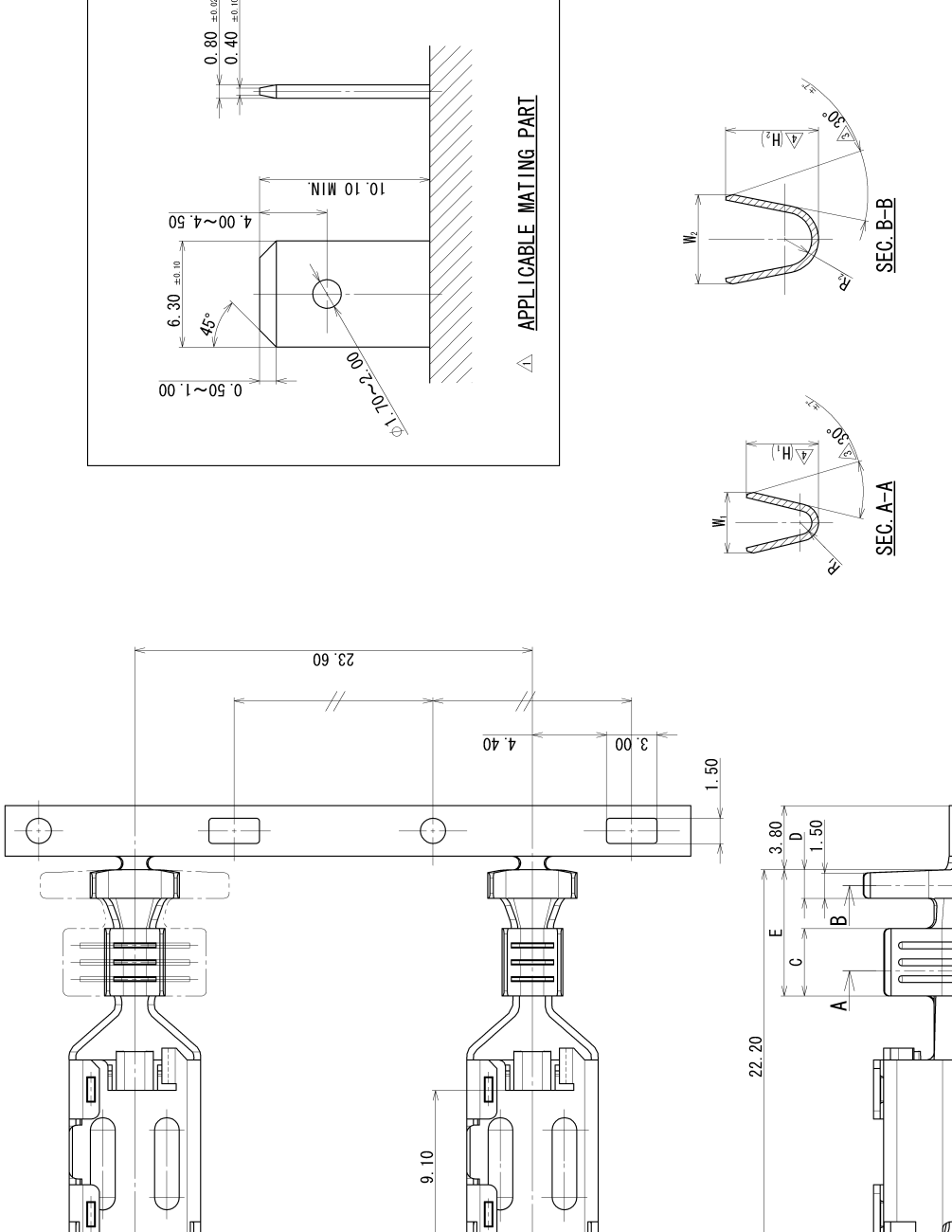
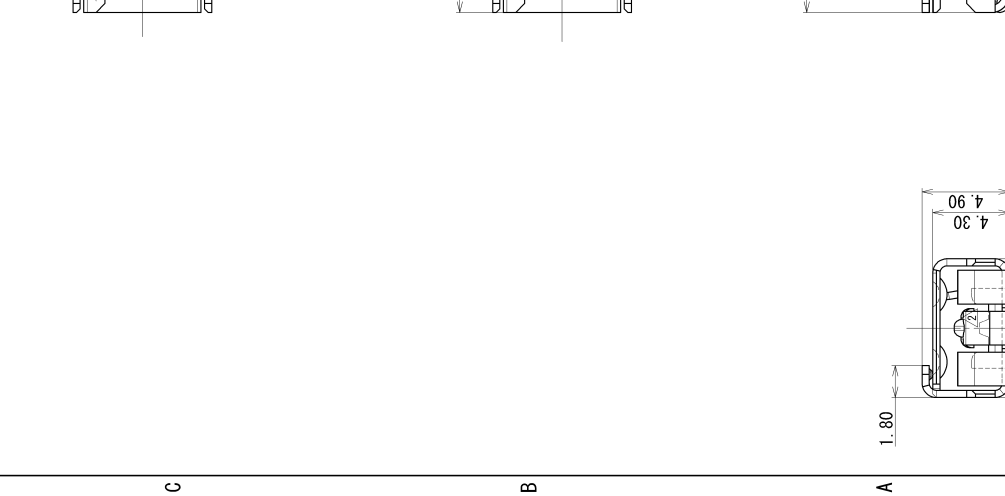


YAZAKI PART NO. AND CH. CODE	C	D	E	W <sub>1</sub>	R <sub>1</sub>	W <sub>2</sub>	R <sub>2</sub>	ΔH <sub>1</sub>	ΔH <sub>2</sub>	WIRE SIZE AVS 0.85~2.00 EQUIVALENT	MATERIAL
7116-2951-02.A	4.00	1.70	7.50	3.60	0.70	5.30	1.60	(3.90)	(4.70)	AVS 0.85~2.00 EQUIVALENT	Δ.BRASS, t=0.40
7116-2951-02.A	//	//	//	//	//	//	//	//	//	//	Δ.BRASS, t=0.40 Δ.TIN PLATE
7116-2952-02.A	3.00	1.70	6.50	2.40	0.40	3.90	1.10	(2.80)	(3.43)	AVS 0.70~0.50 EQUIVALENT	Δ.BRASS, t=0.40 Δ.TIN PLATE
7116-2952-02.A	//	//	//	//	//	//	//	//	//	//	Δ.BRASS, t=0.40 Δ.TIN PLATE



YAZAKI PART NO. AND CH. CODE	C	D	E	W <sub>1</sub>	R <sub>1</sub>	W <sub>2</sub>	R <sub>2</sub>	ΔH <sub>1</sub>	ΔH <sub>2</sub>	WIRE SIZE AVS 0.85~2.00 EQUIVALENT	MATERIAL
7116-2951-02.A	4.00	1.70	7.50	3.60	0.70	5.30	1.60	(3.90)	(4.70)	AVS 0.85~2.00 EQUIVALENT	Δ.BRASS, t=0.40
7116-2951-02.A	//	//	//	//	//	//	//	//	//	//	Δ.BRASS, t=0.40 Δ.TIN PLATE
7116-2952-02.A	3.00	1.70	6.50	2.40	0.40	3.90	1.10	(2.80)	(3.43)	AVS 0.70~0.50 EQUIVALENT	Δ.BRASS, t=0.40 Δ.TIN PLATE
7116-2952-02.A	//	//	//	//	//	//	//	//	//	//	Δ.BRASS, t=0.40 Δ.TIN PLATE



CUSTOMER PART NO.	CUSTOMER DNG. NO.	MAT'L. SPEC.	SEE TABLE	TREAT. & F. IN.	ISSUE MARK
OFFICE	TRIAL PART NO.	NAME			SEL 250 TYPE TERMINAL FEMALE
VENDOR NO.	VENDOR	PART NO.			7116-2951 ETC.
DWG TYPE	DWG SOURCE	DWG DATE	UNIT	SCALE	ANGLE
R	NEW	1990/12/13	mm	5:1	3
APPROVED	CHECKED	DESIGN	DRAWN		
K. SUZUKI	H. SHIBATA	KAMEYAMA	J. CANDO		
SPECIFIED		1990/12/21	2013/02/21	1990/12/13, 2013/02/21	
LET	DATE	REVISION	RECORD		
NO.	CHKD				

UPDATE OF DRAWING ETC.	J	C
2013/02/21		
2002/04/12	K. S	
1995/10/02	Y. Y	
1992/08/20	I. K	
1990/12/13	I. K	

GENERAL TOLERANCE	10MAX	50MAX	100MAX	250MAX	2500VR	ANGLE	ECCENT
A	±0.15	±0.2	±0.3	±0.5	±0.75	±30°	O. 1
B	±0.2	±0.3	±0.55	±0.95	±1.4	±30°	O. 1
C	±0.3	±0.5	±0.8	±1.4	±2	±30°	O. 15
MASS							

2013/02/21	7	3	4	5
------------	---	---	---	---

2013/02/21	7	3	4	5
------------	---	---	---	---

2013/02/21	7	3	4	5
------------	---	---	---	---

2013/02/21	7	3	4	5
------------	---	---	---	---

2013/02/21	7	3	4	5
------------	---	---	---	---

2013/02/21	7	3	4	5
------------	---	---	---	---